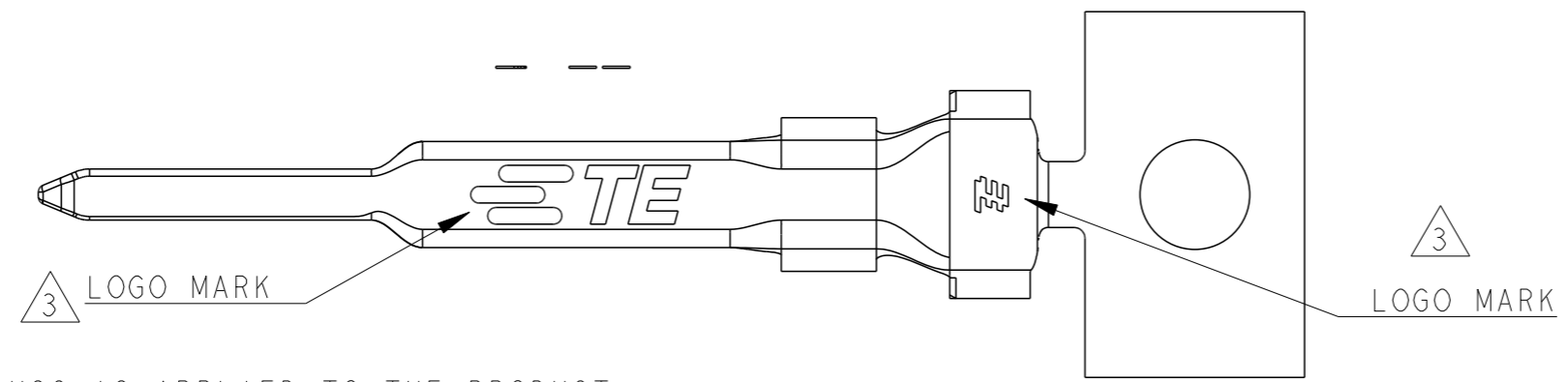
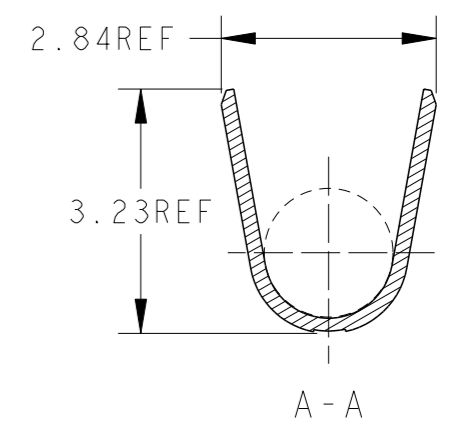
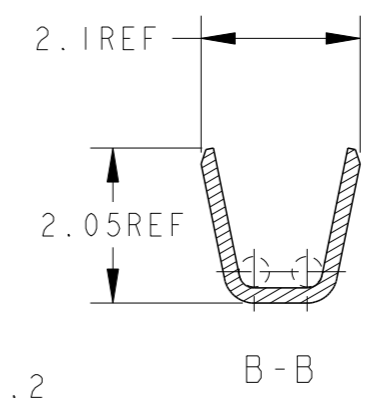
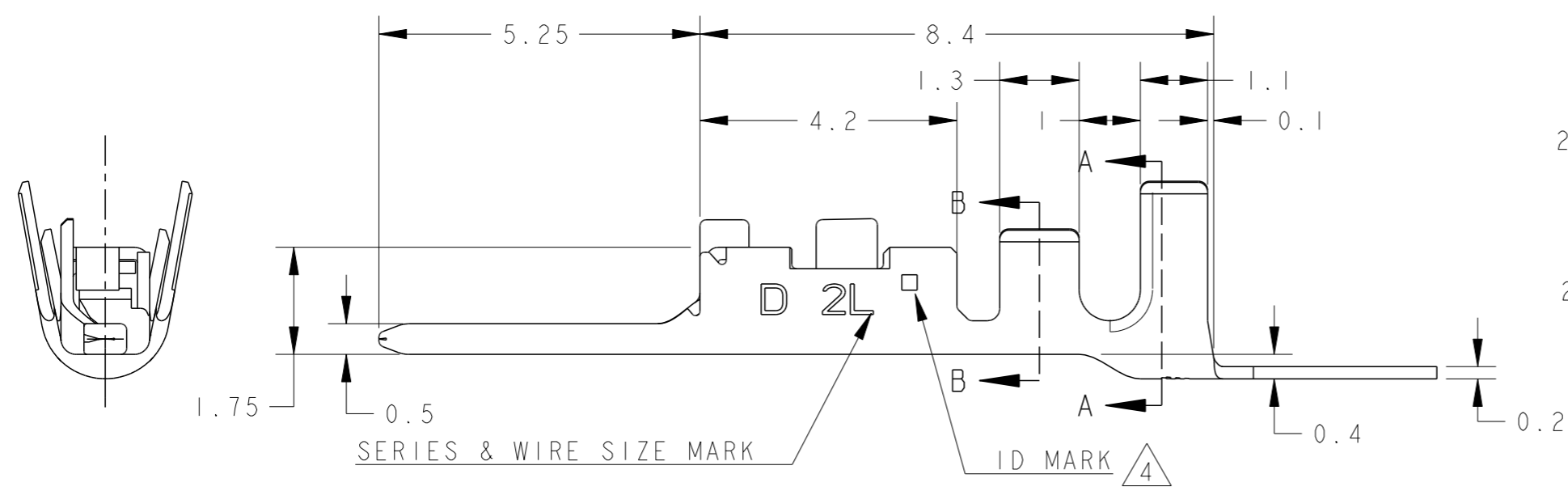
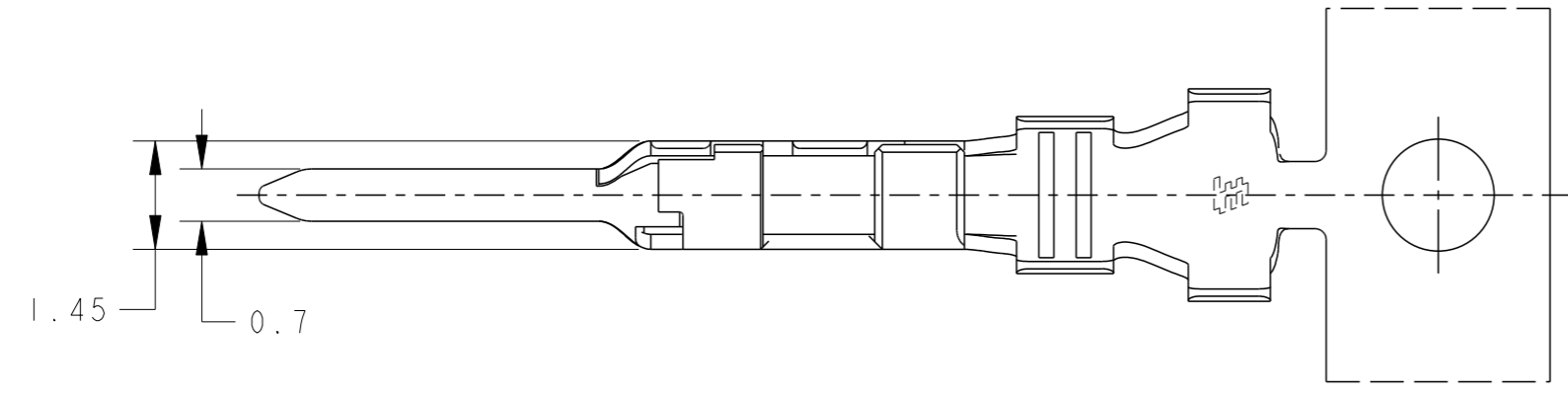


| REVISIONS |     |                           |           |     |      |
|-----------|-----|---------------------------|-----------|-----|------|
| P         | LTR | DESCRIPTION               | DATE      | DWN | APVD |
|           | C   | REVISED PER ECR-19-016494 | 24OCT2019 | F.Z | R.B  |
|           |     |                           |           |     |      |
|           |     |                           |           |     |      |



AS SHOWN: 1903122-1

|                      |           |
|----------------------|-----------|
| PRE-TIN COPPER ALLOY | 1903122-1 |
| MATERIAL             | PART NO   |

|                           |            |                |
|---------------------------|------------|----------------|
| WIRE RANGE                | AWG#22-#18 | INSULATION DIA |
| mm <sup>2</sup> 0.34~0.86 |            | Ø 1.4~Ø 2.2    |

- APPLICATION TAB-HSG IS APPLIED TO THE PRODUCT OF 2.5mm PITCH OR MORE OF DYNAMIC D1000 SERIES. 2.0mm PITCH CANNOT BE USED.
- THE SHAPE, SIZE AND POSITION OF THE CHARACTER SHOW THE OUTLINE. THEY DON'T SHOW DETAILS.
- ALTERNATIVE LOGO MARK FOR DIFFERENT DIE.
- ALTERNATIVE ID MARK, WITH "□" OR NO MARK.

|  |  |
|--|--|
| THIS DRAWING IS A CONTROLLED DOCUMENT. |  |
| DIMENSIONS:                            | TOLERANCES UNLESS OTHERWISE SPECIFIED: |
| mm                                     | ± 0.3, ± 3°                            |
|  | 0 PLC ±                                |
|  | 1 PLC ±                                |
|  | 2 PLC ±                                |
|  | 3 PLC ±                                |
|  | 4 PLC ±                                |
|  | ANGLES ±                               |
| MATERIAL                               | FINISH                                 |
| 1                                      |  |

|                  |             |           |
|------------------|-------------|-----------|
| DWN              | M. MAEBASHI | 26APR2006 |
| CHK              | T. KUDO     | 26APR2006 |
| APVD             | D. MITSUGI  | 26APR2006 |
| PRODUCT SPEC     | 108-78298   |           |
| APPLICATION SPEC | 114-5377    |           |
| WEIGHT           | 0.137 g     |           |
| CUSTOMER DRAWING |             |           |

|                 |           |  |               |
|-----------------|-----------|--|---------------|
| TE Connectivity |           | NAME   |               |
|                 |           | DYNAMIC D1000 SERIES<br>TAB CONTACT TIN-PLATE 2L-TYPE REEL |               |
| SIZE            | CAGE CODE | DRAWING NO   | RESTRICTED TO |
| A3              | 00779     | C=1903122  |               |
| SCALE 10:1      |           | SHEET 1 OF 1   | REV C         |