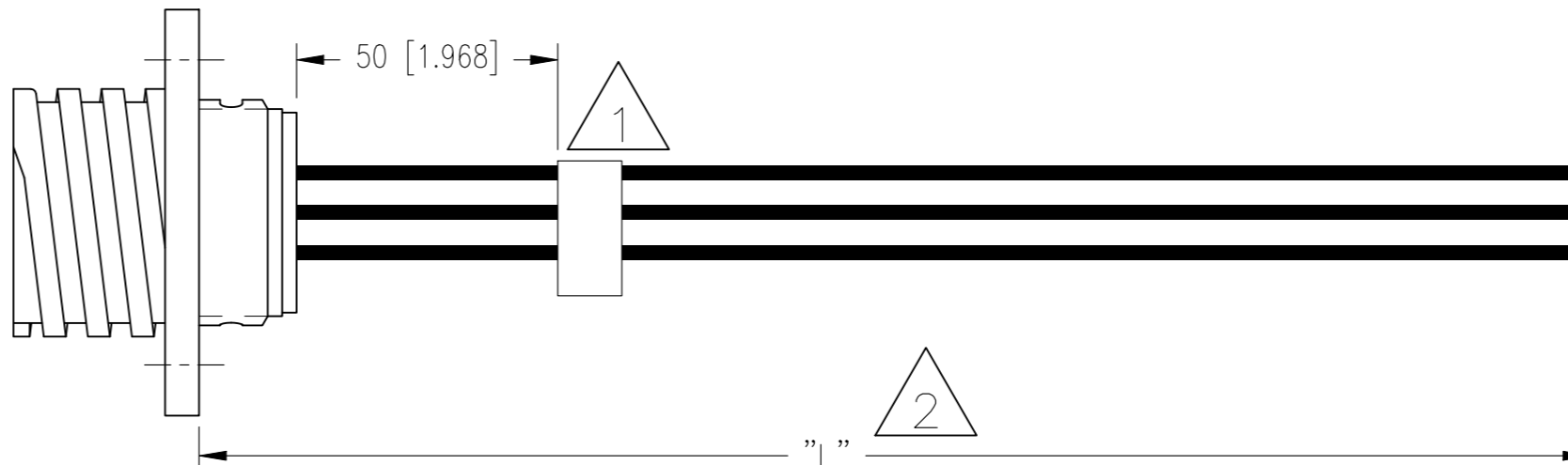
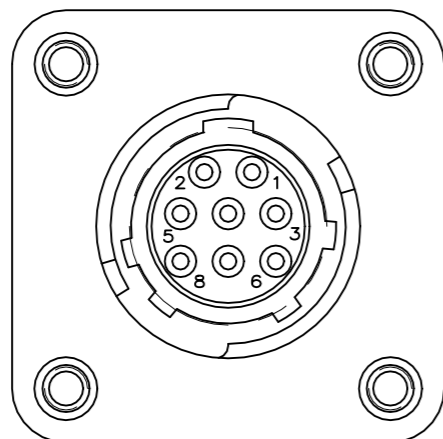


REVISIONS					
P	LTR	DESCRIPTION	DATE	DWN	APVD
	B	INITIAL RELEASE	08NOV2021	GSK	JDA



NOTES:

1 LABEL LOCATED APPROXIMATELY WHERE SHOWN.
 LABEL INFORMATION AS FOLLOWS:

2387132-X	TE P/N
REV B	CUST REV
TE/MEXICO	MANUFACTURER NAME/COUNTRY OF ORIGIN
MM/DD/YY	DATE CODE

3. TOLERANCES PER IPC STANDARD:
 IPC-A-620A

Metric	
<0.3 m	+25mm -0mm
>0.3 m - 1.5m	+50mm -0mm
>1.5 m - 3m	+100mm -0mm
>3 m - 7.5m	+150mm -0mm
>7.5m	+5% -0%

2 "L" REPRESENTS THE LENGTH OF THE WIRE USED FOR THE LEADS.

TE PN	LENGTH "L"
2387132-1	0.5M
2387132-2	1.0M
2387132-3	2.0M

- 4. HARNESS SHALL BE SHIPPED IN SEALED PLASTIC BAG
- 5. CONTINUITY ELECTRICAL TEST MUST BE PERFORMED.
- 6. WIRE 24 AWG

THIS DRAWING IS A CONTROLLED DOCUMENT.		DWN SATHISH KUMAR G 08NOV2021	TE Connectivity		
DIMENSIONS: mm [INCHES]		CHK JUAN AVILA 08NOV2021			
TOLERANCES UNLESS OTHERWISE SPECIFIED:		APVD JUAN AVILA 08NOV2021	PRODUCT SPEC		
		APPLICATION SPEC		RESTRICTED TO	
MATERIAL		WEIGHT	SIZE A3	CAGE CODE 00779	DRAWING NO C-2387132
FINISH		CUSTOMER DRAWING		SCALE NTS	SHEET 1 OF 1
				REV B	