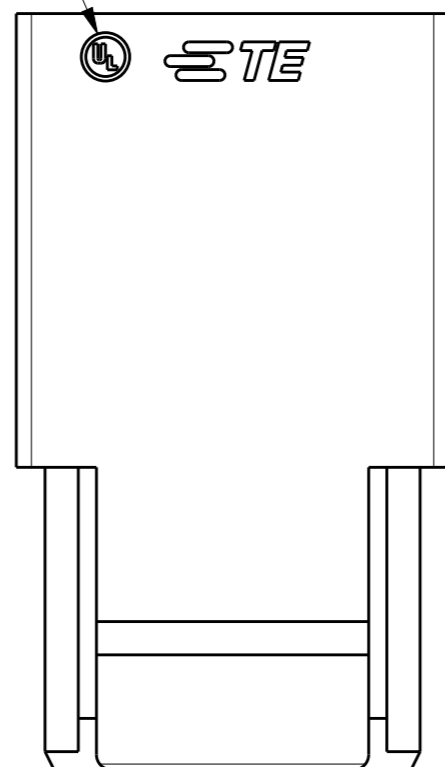


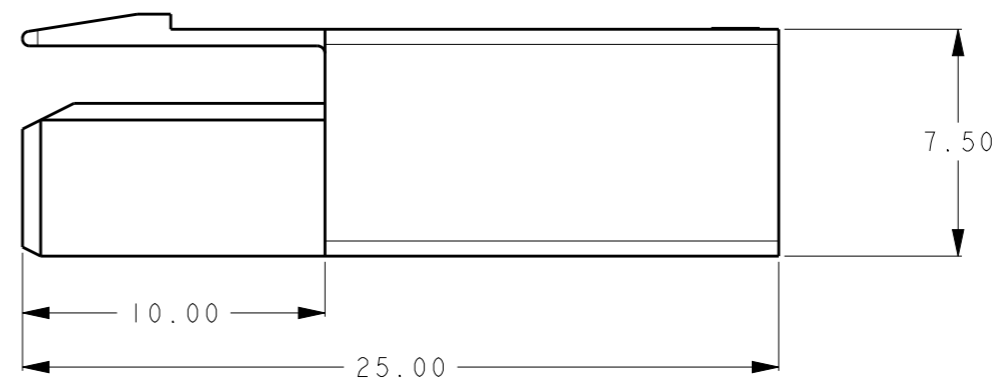
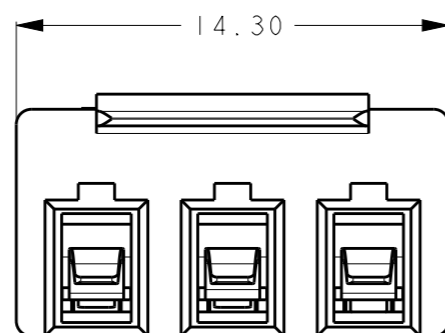
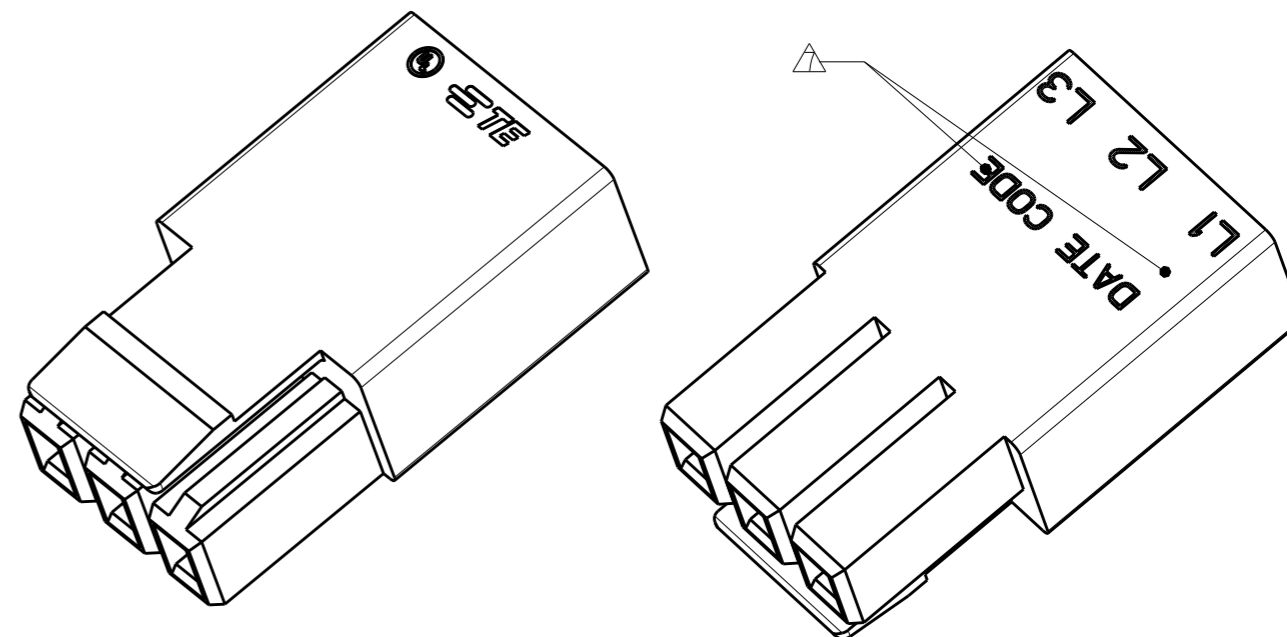
REVISIONS

P	LTR	DESCRIPTION	DATE	DWN	APVD
	A	INITIAL RELEASE	11 JULY 2016	Z.W	X.X
	B	ADD UL MARK	16 JUL 2018	Z.W	S.M

UL MARK




DATE CODE
 YY WW X
 ↑ ↑ ↑
 YY=YEAR
 EX: 16=2016
 WW=WEEK
 EX: 12=12
 X=DAY
 EX: 5=5



NOTE:

- PART NUMBER: SEE TABLE.
 - MATERIAL:
 TERMINAL: COPPER ALLOY
 HOUSING: THERMOPLASTIC, UL94-V0.
 - FINISH
 TERMINAL: TIN PLATING OVERALL.
 - PACKAGING: PLASTIC BAG.
 - APPLICABLE WIRE:
 SOLID: 18-22AWG
 STRANDED WIRE: 16-20AWG(26 STRANDS MAX. FOR 16AWG
 16 STRANDS MAX. FOR 18AWG, 7 STRANDS MAX. FOR 20AWG)
- △ MARK APPROXIMATION LOCATION.

2834054-4	2834055-4	RED
2834054-3	2834055-3	ORANGE
2834054-2	2834055-2	BLACK
2834054-1	2834055-1	NATURAL
PART NUMBER	MATING PART	PART COLOR

THIS DRAWING IS A CONTROLLED DOCUMENT.		DWN 18DEC2015 ZHANG WEI	 TE Connectivity	
DIMENSIONS: mm		CHK 18DEC2015 SHI MING		
TOLERANCES UNLESS OTHERWISE SPECIFIED: ±0.50		APVD 18DEC2015 XU XIANG	NAME 3 PIN WIRE TO WIRE CONNECTOR PLUG ASSEMBLY	
0-PLC ± 1-PLC ± 2-PLC ± 3-PLC ± 4-PLC ± ANGLES ±1°		PRODUCT SPEC 108-137160	SIZE CAGE CODE DRAWING NO RESTRICTED TO	
MATERIAL		APPLICATION SPEC 114-137160	A300779 C-2834054	
FINISH		WEIGHT 1.95g	SCALE 2:1 SHEET 1 OF 2 REV B	
		CUSTOMER DRAWING		

THIS DRAWING IS UNPUBLISHED.

RELEASED FOR PUBLICATION

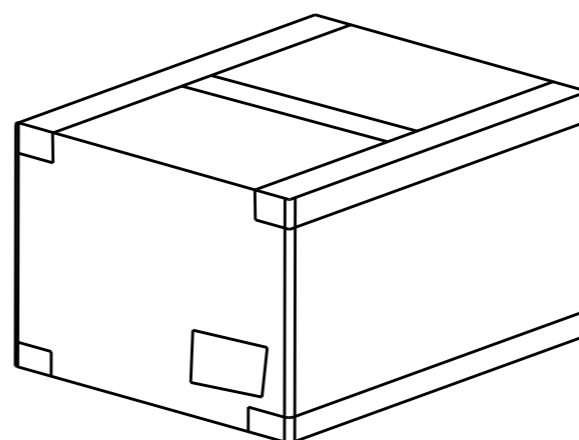
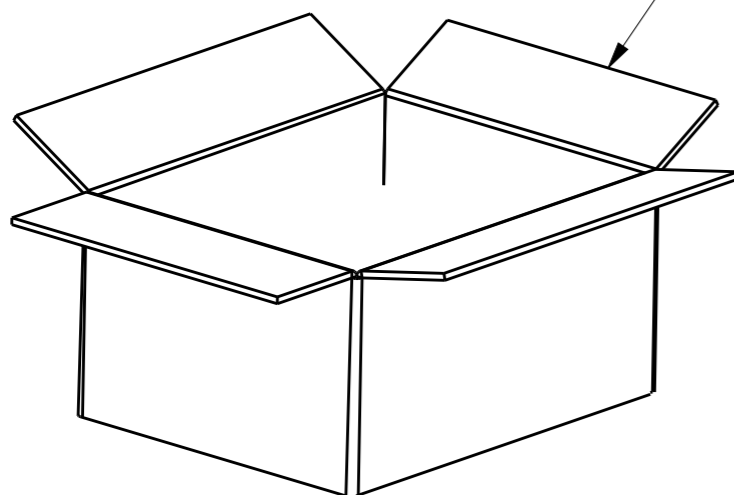
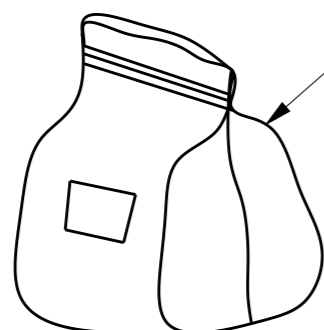
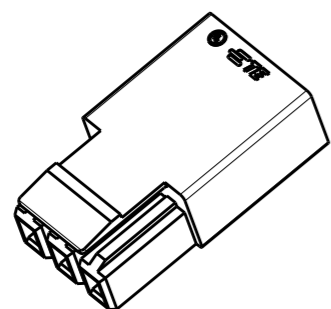
20

© COPYRIGHT 20 BY -

ALL RIGHTS RESERVED.

REVISIONS

P	LTR	DESCRIPTION	DATE	DWN	APVD
-		SEE SHEET 1	-	-	-



NOTE:
1. PACKAGING QUANTITY: SEE TABLE.

PAIRS PER BAG	BAGS PER CARTON	PAIRS PER CARTON
400	6	2400

THIS DRAWING IS A CONTROLLED DOCUMENT.

DIMENSIONS:	TOLERANCES UNLESS OTHERWISE SPECIFIED:
mm	
	0 PLC ±
	1 PLC ±
	2 PLC ±
	3 PLC ±
	4 PLC ±
	ANGLES ± 1°
MATERIAL	FINISH
-	-
-	-

DWN	ZHANG WEI	18DEC2015
CHK	SHI MING	18DEC2015
APVD	XU XIANG	18DEC2015
PRODUCT SPEC	108-137160	
APPLICATION SPEC	114-137160	
WEIGHT	1.95g	
CUSTOMER DRAWING		



NAME
3 PIN WIRE TO WIRE CONNECTOR
PLUG ASSEMBLY

SIZE	CAGE CODE	DRAWING NO	RESTRICTED TO
A3	00779	C=2834054	-
SCALE 2:1		SHEET 2 OF 2	REV B