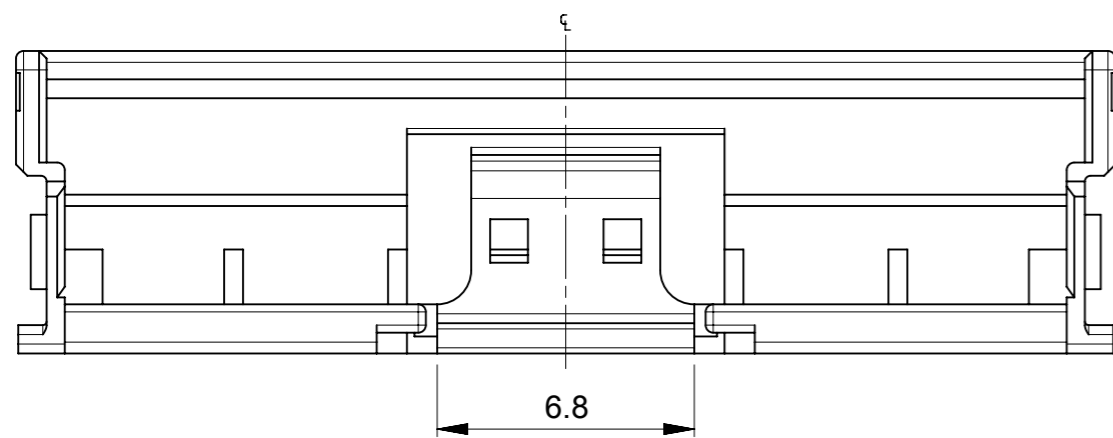
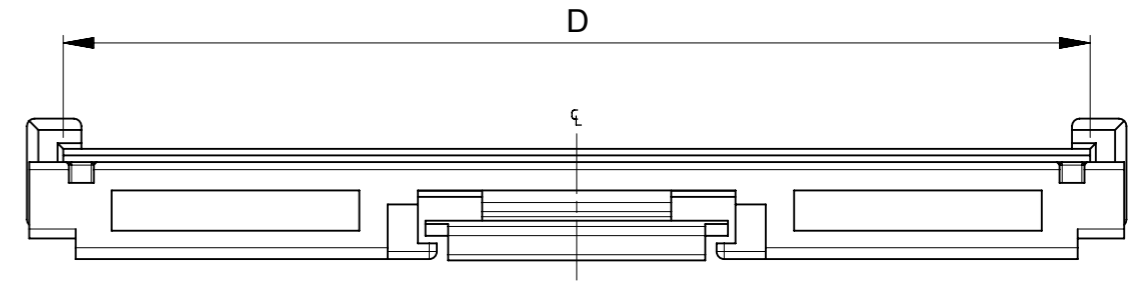
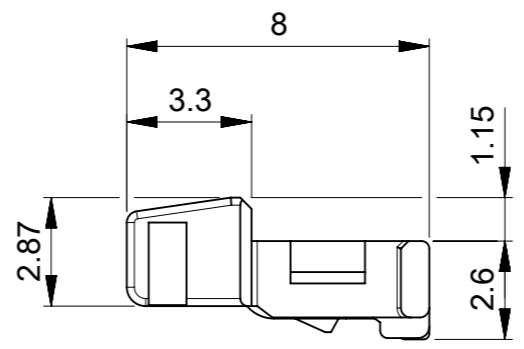
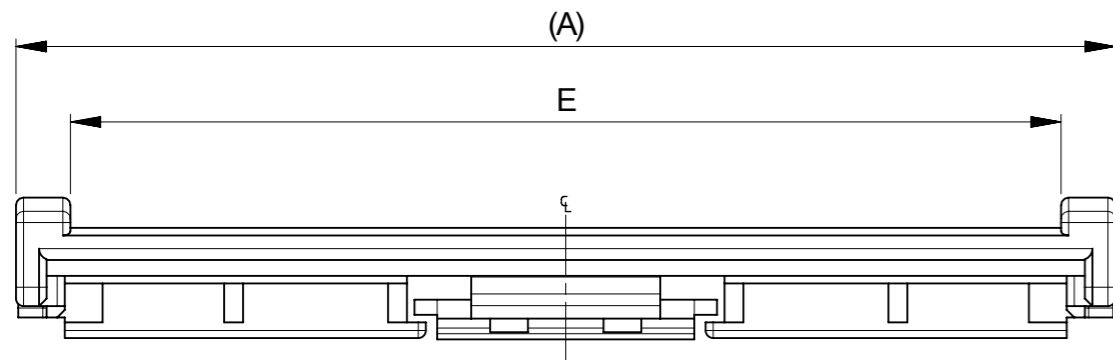


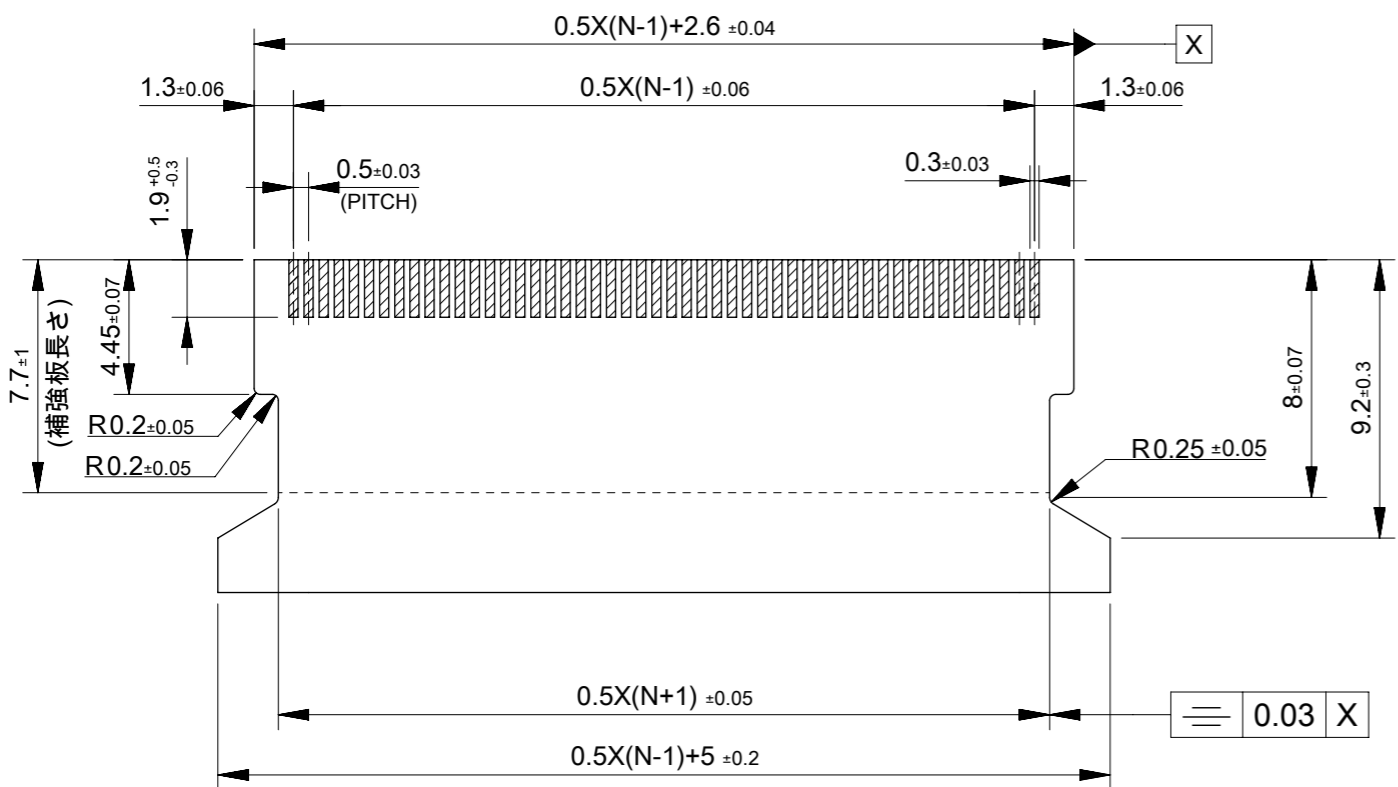
NOTES  
 1. 適合プラグジャケットカバー : 501784-\*\*09  
 APPLICABLE PLUG JACKET COVER : 501784-\*\*09  
 2. 材質  
 MATERIAL  
 PBT, UL94V-0, 色 : 黒色  
 PBT, UL94V-0, COLOR: BLACK



41.2±0.3	42.16±0.3	42.46±0.3	43.96±0.3	44.08±0.3	501783-8009	80	
26.2±0.25	27.16±0.25	27.46±0.25	28.96±0.25	29.08±0.25	501783-5009	50	
E	D	C	B	A	PLASTIC BAG PACKAGE	極数	
						オーダー番号 ORDER NO.	CIRCUITS

CONNECTOR SERIES No. 501783-\*\*09

THIS DRAWING CONTAINS INFORMATION THAT IS PROPRIETARY TO MOLEX ELECTRONIC TECHNOLOGIES, LLC AND SHOULD NOT BE USED WITHOUT WRITTEN PERMISSION		CURRENT REV DESC:		<b>molex</b>		
DIMENSION UNITS	SCALE	EC NO: 688327				
mm	5:1	DRWN: TNAKAGAWA01 2021/06/04		PRODUCT CUSTOMER DRAWING		
GENERAL TOLERANCES (UNLESS SPECIFIED)		CHK'D: TKON 2021/12/17		DOCUMENT NUMBER		
ANGULAR TOL ± 1.0°		APPR: SHOSHIKAWA 2021/12/17		5017832000-SD		DOC TYPE
4 PLACES ± 0.2	INITIAL REVISION:		DRWN: TNAKAGAWA01 2021/03/09		PSD	DOC PART
3 PLACES ± 0.2	DRWN: TNAKAGAWA01 2021/03/15		APPR: SHOSHIKAWA 2021/03/15		000	REVISION
2 PLACES ± 0.2	THIRD ANGLE PROJECTION		DRAWING		B	
1 PLACE ± 0.2	DRAWING		SERIES		SHEET NUMBER	
0 PLACES ± 0.2	A3-SIZE		501783		1 OF 2	
DRAFT WHERE APPLICABLE MUST REMAIN WITHIN DIMENSIONS		MATERIAL NUMBER		CUSTOMER		
		SEE TABLE		GENERAL		



 コネクタ接点部  
 $\triangle 3$  適合FFC推奨寸法  
 APPLICABLE FFC  
 RECOMENDED DIMENSION  
 ( 仕上がり厚さ : コネクタ接点部 0.3±0.03 )

NOTES

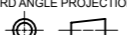
$\triangle 3$  このFFC推奨寸法はシールド無しのRec Assy. に適用。表を参照。  
 THIS FFC RECOMMENDED DIMENSION IS APPLICABLE ON REC ASSY WITHOUT SHIELD. REFER TO TABLE.

501864 SERIES	501786 SERIES	5017848009	WITHOUT SHIELD	80
501864 SERIES	501786 SERIES	5017845009	WITHOUT SHIELD	50
RIGHT ANGLE	VERTICAL	APPLICABLE PLUG	TYPE	CIRCUIT
APPLICABLE REC. ASSY		JACKET COVER		

FFCについて ABOUT FFC

打ち抜き方向は導体側から補強板側を推奨します。  
 導体部については軟箔銅35μmまたは50μmを推奨します。  
 FFCに規定された定格温度がFFC単体前提である場合が御座います。  
 コネクタと組み合わせての実使用において、接着層が劣化するなどの信頼性を満足できないケースを回避するため、実機での評価/確認をお願いいたします。  
 RECOMMENDED PUNCHING DIRECTION : FROM CONDUCTOR SIDE TO STIFFENER SIDE  
 RECOMMENDED CONDUCTOR SPEC : SOFT COPPER FOIL  
 RECOMMENDED CONDUCTOR THICKNESS : 35 MICROMETER OR 50 MICROMETER  
 NOTE : WHEN ACTUALLY USING IT WITH CONNECTOR, PLEASE DO THE EVALUATION AND THE CONFIRMATION WITH AN ACTUAL EQUIPMENT TO EVADE THE CASE WHERE RELIABILITY CANNOT BE FILLED (THE ADHESIVE LINE OF FFC IS DETERIORATED ETC.)

THIS DRAWING CONTAINS INFORMATION THAT IS PROPRIETARY TO MOLEX ELECTRONIC TECHNOLOGIES, LLC AND SHOULD NOT BE USED WITHOUT WRITTEN PERMISSION

DIMENSION UNITS	SCALE	CURRENT REV DESC:		<b>molex</b>		
mm	1:1					
GENERAL TOLERANCES (UNLESS SPECIFIED)				0.5 FFC TO BOARD CONN. PLUG JACKET		
ANGULAR TOL	± 1.0 °			PRODUCT CUSTOMER DRAWING		
4 PLACES	± 0.2	EC NO: 688327		DOCUMENT NUMBER		
3 PLACES	± 0.2	DRWN: TNAKAGAWA01	2021/06/04	5017832000-SD		
2 PLACES	± 0.2	CHK'D: TKON	2021/12/17	DOC TYPE	DOC PART	REVISION
1 PLACE	± 0.2	APPR: SHOSHIKAWA	2021/12/17	PSD	000	B
0 PLACES	± 0.2	INITIAL REVISION:		SHEET NUMBER		
DRAFT WHERE APPLICABLE MUST REMAIN WITHIN DIMENSIONS		DRWN: TNAKAGAWA01	2021/03/09	2 OF 2		
		APPR: SHOSHIKAWA	2021/03/15			
THIRD ANGLE PROJECTION		DRAWING	SERIES	MATERIAL NUMBER	CUSTOMER	
		A3-SIZE	501783	SEE SHEET 1	GENERAL	