

PLEASE CHECK WWW.MOLEX.COM FOR LATEST PART INFORMATION

Part Number: [0739270402](#)
Status: **Active**
Overview: SFP+ and SFP Interconnect Solutions
Description: 1-by-4 SFP Ganged Cage, Elastomeric Gasket, Press-fit, Unplated

Documents:

[3D Model](#) [RoHS Certificate of Compliance \(PDF\)](#)
[Drawing \(PDF\)](#)

General

Product Family	EMI Cages
Series	73927
Application	Module-to-Board
Comments	12 Underbelly EMI Pins Not RoHS Compliant
Component Type	Cage Assembly
Overview	SFP+ and SFP Interconnect Solutions
Product Name	SFP
UPC	756054492666
Use With	74742 Cable Assemblies, 74743 Cable Assemblies, 73929 Cable Assemblies, 74720 SFP Adapter

Physical

EMI Panel / Bezel Mount	Elastomer Gasket
Light Pipes per Port	0
Material - Metal	Copper Alloy
Net Weight	20.551/g
Orientation	Horizontal
Packaging Type	Tray
Port Configuration	1x4
Rear Legs	0
Termination Interface: Style	Through Hole
Thermal Height	N/A
Thermal Solutions	Closed Top

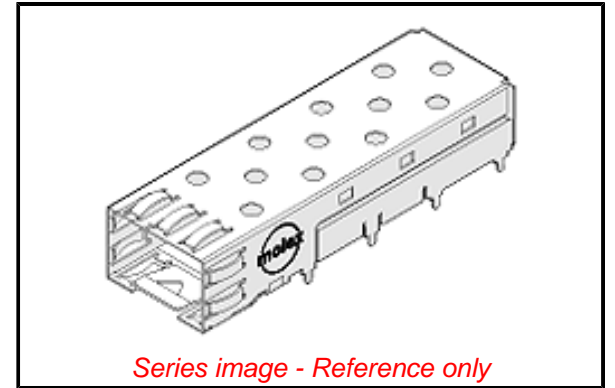
Solder Process Data

Lead-freeProcess Capability	N/A
Process Temperature max. C	070

Material Info

Reference - Drawing Numbers

Sales Drawing	SD-73927-402
---------------	--------------



EU ELV

Not Relevant

EU RoHS

Compliant

REACH SVHC

Not Contained Per
-ED/01/2017 (12
January 2017)

Halogen-Free

Status

Low-Halogen

**Need more information on product
environmental compliance?**

Email productcompliance@molex.com
Please visit the [Contact Us](#) section for any
non-product compliance questions.

China ROHS

ELV

RoHS Phthalates

Green Image

Not Relevant

Not Contained

Search Parts in this Series

[73927](#) Series