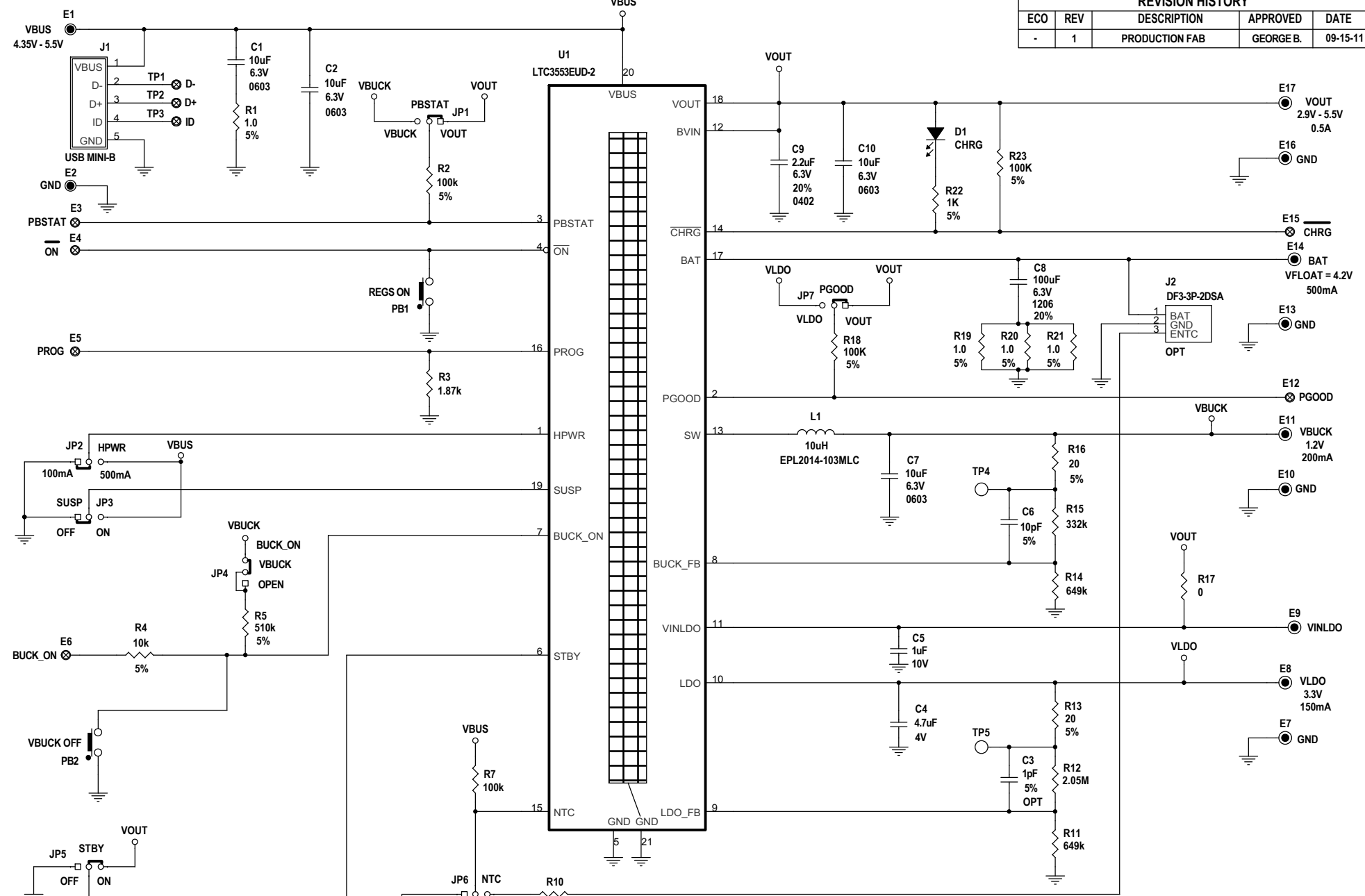


REVISION HISTORY				
ECO	REV	DESCRIPTION	APPROVED	DATE
-	1	PRODUCTION FAB	GEORGE B.	09-15-11



CUSTOMER NOTICE		APPROVALS		TITLE: SCHEMATIC	
LINEAR TECHNOLOGY HAS MADE A BEST EFFORT TO DESIGN A CIRCUIT THAT MEETS CUSTOMER-SUPPLIED SPECIFICATIONS; HOWEVER, IT REMAINS THE CUSTOMER'S RESPONSIBILITY TO VERIFY PROPER AND RELIABLE OPERATION IN THE ACTUAL APPLICATION. COMPONENT SUBSTITUTION AND PRINTED CIRCUIT BOARD LAYOUT MAY SIGNIFICANTLY AFFECT CIRCUIT PERFORMANCE OR RELIABILITY. CONTACT LINEAR TECHNOLOGY APPLICATIONS ENGINEERING FOR ASSISTANCE.		PCB DES.	NC	MICROPPOWER USB POWER MANAGER WITH LI-ION CHARGER, LDO AND BUCK REGULATOR	
UNLESS NOTED: RESISTORS: OHMS, 0402, 1%, 1/16W CAPACITORS: uF, 0402, 10%, 50V		APP ENG.	GEORGE B.	SIZE	N/A
THIS CIRCUIT IS PROPRIETARY TO LINEAR TECHNOLOGY AND SUPPLIED FOR USE WITH LINEAR TECHNOLOGY PARTS.		SCALE = NONE	DATE: 09-15-11	IC NO.	LTC3553EUD-2 DC1920A
				REV.	1
				SHEET 1 OF 1	