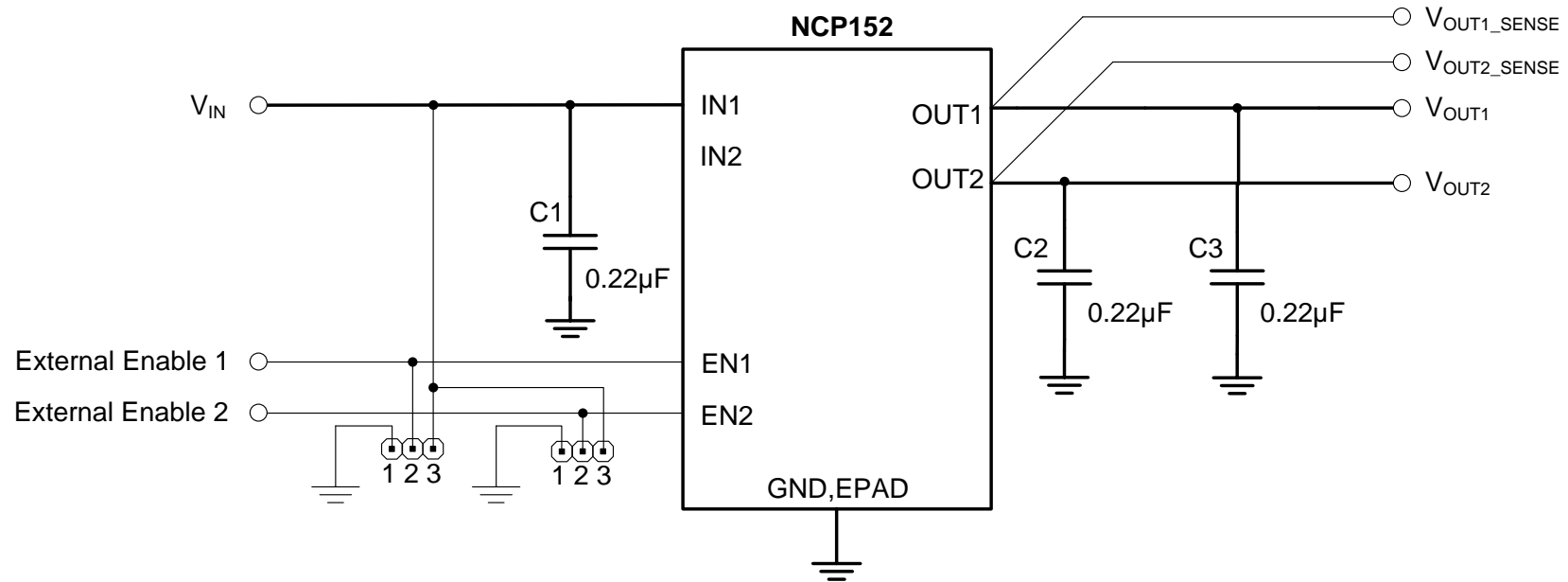


## Schematic for the NCP152MXTCGEVB Evaluation Board



### JP positions:

- 2-- -->EXTERNAL ENABLE pin is select
- 2 – 3 ->LDO is **ENABLED**
- 2 – 1-> LDO is **DISABLED**

The NCP152 is dual 150mA high performance LDO with low quiescent current and high PSRR. The NCP152 also offers enable pin for each output and very good dynamic response.