

REV. B		SHEET 1 OF 2		DOCUMENT NO. RVPX-P16DXX	
REVISIONS M					
LTR	DESCRIPTION			DATE	
A	INITIAL RELEASE			11-FEB-16	
B	CORRECTED DRILL DIAMETER NOTE 2			31-MAY-17	
				ECN# C5085	

TABLE 1
INTERCONNECTIONS WITH BACKPLANE
CONNECTOR RVPX-J16MXX

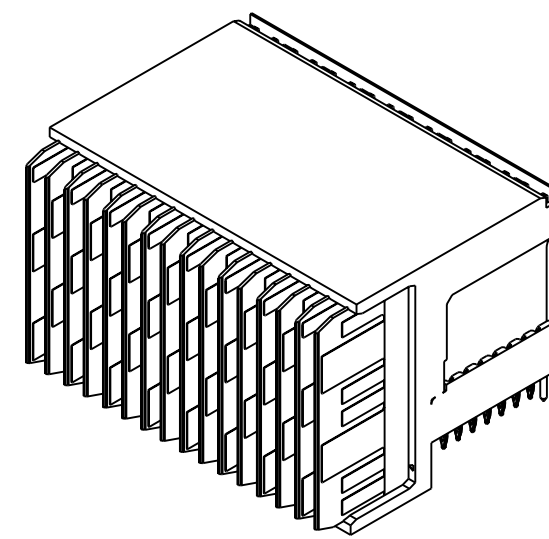
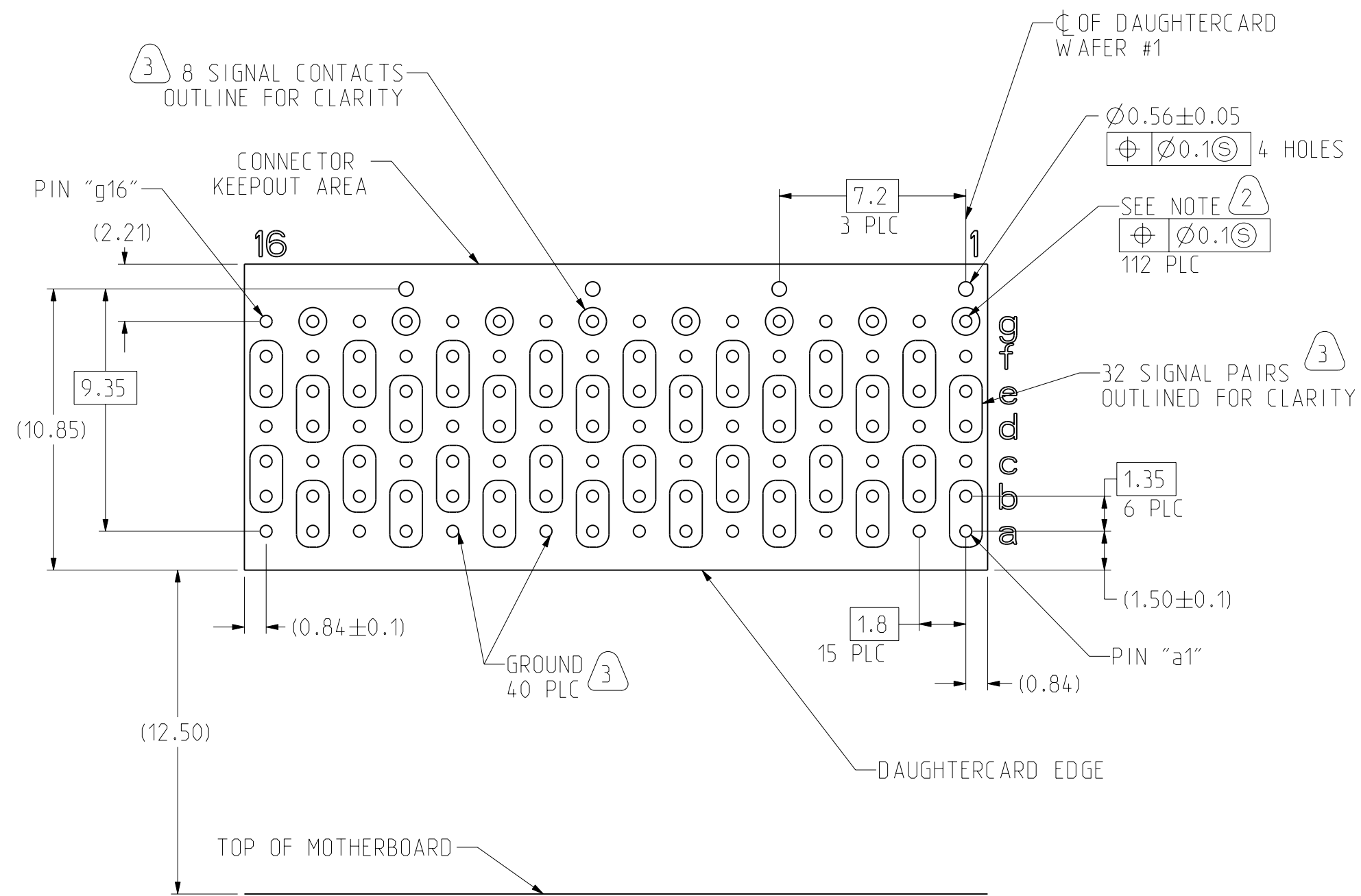
TYPICAL INTERCONNECTIONS FOR COLUMN (WAFER): 2, 4, 6, 8, 10, 12, 14, 16		
CONTACT USAGE	DAUGHTERCARD CONNECTOR PIN	BACKPLANE CONNECTOR PIN
SIGNAL PAIR	bx	cx
	cx	dx
SIGNAL PAIR	ex	gx
	fx	hx
GROUND	ax, dx, gx, (ALL COMMONED)	ax, bx, ex, fx, ix

TYPICAL INTERCONNECTIONS FOR COLUMN (WAFER): 1, 3, 5, 7, 9, 11, 13, 15		
CONTACT USAGE	DAUGHTERCARD CONNECTOR PIN	BACKPLANE CONNECTOR PIN
SIGNAL PAIR	ax	ax
	bx	bx
SIGNAL PAIR	dx	ex
	ex	fx
SIGNAL	gx	ix
GROUND	cx, fx, (ALL COMMONED)	cx, dx, gx, hx

NOTE: "x" DESIGNATES THE COLUMN NUMBER

TABLE 2
PLATING THICKNESS AND MATERIAL BY PART NUMBER

PART NUMBER	GOLD IN CONTACT AREA	COMPLIANT	NICKEL OVERALL
RVPX-P16DM1	50 μ-INCH MIN	50 μ-INCH MIN TIN	50 μ-INCH MIN
RVPX-P16DM2	50 μ-INCH MIN	50 μ-INCH MIN TIN-LEAD	50 μ-INCH MIN
RVPX-P16DC1	30 μ-INCH MIN	50 μ-INCH MIN TIN	50 μ-INCH MIN
RVPX-P16DC2	30 μ-INCH MIN	50 μ-INCH MIN TIN-LEAD	50 μ-INCH MIN



SCALE 2/1

- 4 SEE TABLE 2 FOR PART NUMBER AND FINISHES
- 3 SEE TABLE 1 FOR INTERCONNECTIONS TO BACKPLANE CONNECTOR
- 2 PTH CALLOUT
TYPICAL HOLE
Ø0.53-.57 DRILL
Ø0.46 ±.05 FINISH HOLE
Ø0.92 PAD
- 1 HOUSING: GLASS FILLED LCP, UL94 - V0
CONTACT: CU ALLOY
POST: STAINLESS STEEL, PASSIVATED

THE USE OF THIS DOCUMENT IS UNLIMITED. HOWEVER, DOCUMENTS REFERENCED HEREON MAY CONTAIN LIMITED RIGHTS DATA.

N/A	PRO/ENGINEER INFORMATION Pro/e Model Used: P1233-426-0008-001.ATCS.PART Drawing Name: RVPX-P16DX
NEXT ASSEMBLY	

UNLESS OTHERWISE SPECIFIED	SPECIFICATIONS	POS	QTY	PART NUMBER	DESCRIPTION	NOTE
LINEAR DIMENSIONS ARE IN MILLIMETERS TOLERANCES: .XXXX = ±. - ANGLES= ±1° .XXX = ±. - .XX = ±.13 .X = ±.5	MATERIAL SPEC. N/A	APPROVALS		DATE	PARTS LIST	
	PROCESS SPEC. 9-3895 9-3856-5	PREPARED BY S. LANGELIER	ENGINEER IN CHARGE S. LANGELIER	DESIGN MANAGER J. PAUL	22-SEP-15	AMPHENOL CORPORATION 40-60 DELAWARE AVENUE SIDNEY, NY, 13858
		THIRD ANGLE PROJECTION			RIGHT-ANGLE PLUG ASSEMBLY CENTER, RVPX DAUGHTERCARD CONNECTOR, DIFFERENTIAL	
				SIZE C	CAGE CODE 77820	DOCUMENT NO. RVPX-P16DXX
					REF. NONE	REV. B
					SCALE: 5.0	SHEET 1 OF 2

DOCUMENT NO. RVPX-P16DXX SHEET 1 OF 2 REV. B

REVISION B VERSION 0 Eng. PDM Information For Reference Only SHEET 1 OF 2 REV. B

DOCUMENT NO. RVPX-P16DXX

SHEET 2 OF 2

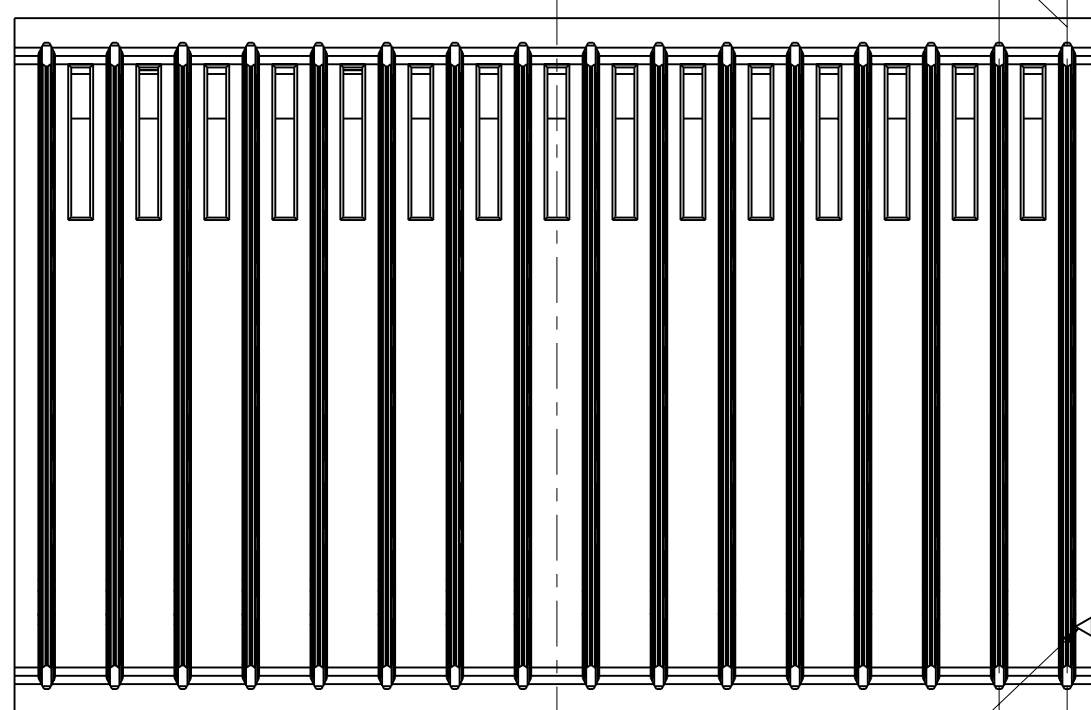
REV. B

C

B

A

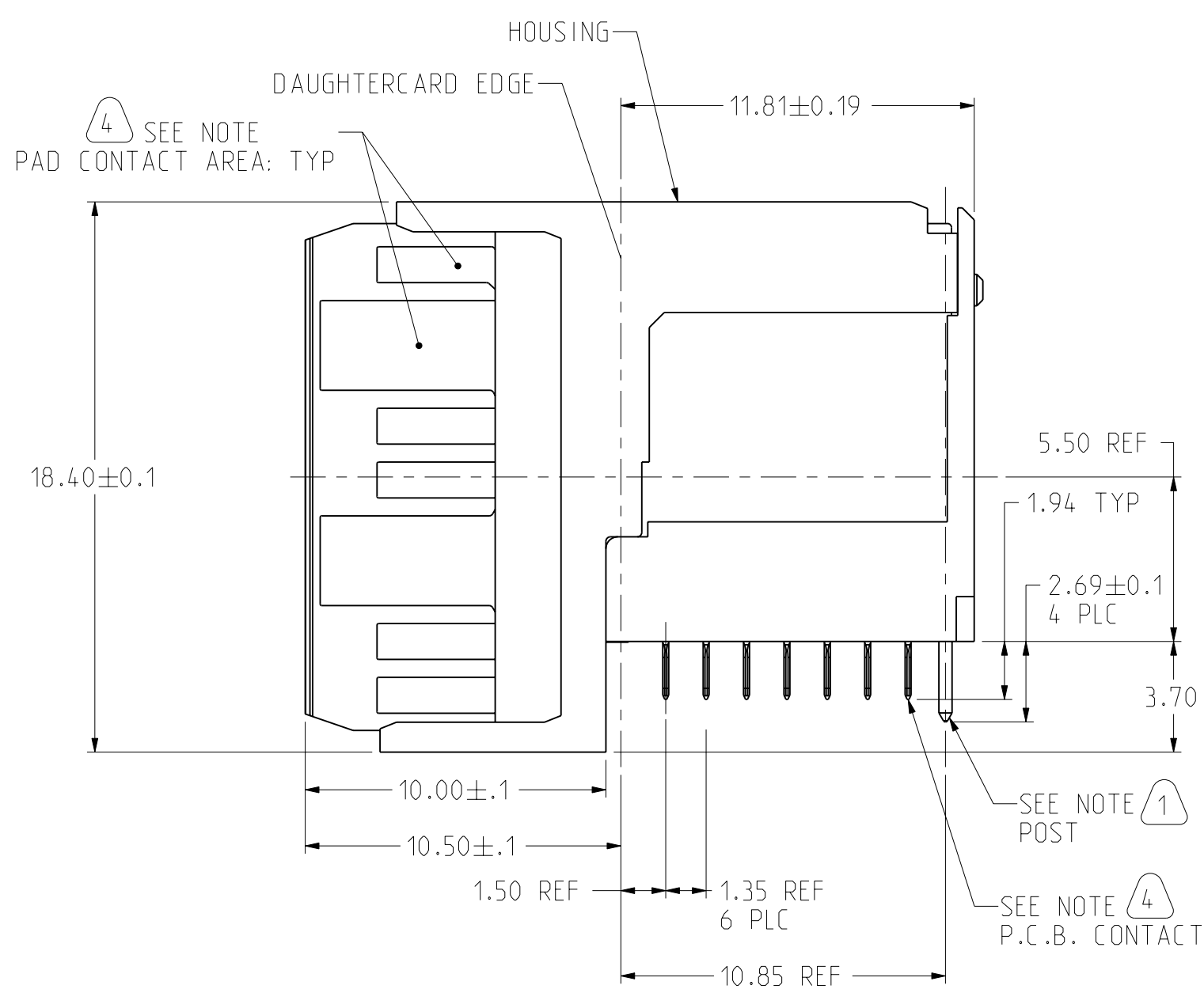
CL OF DAUGHTERCARD WAFER #1



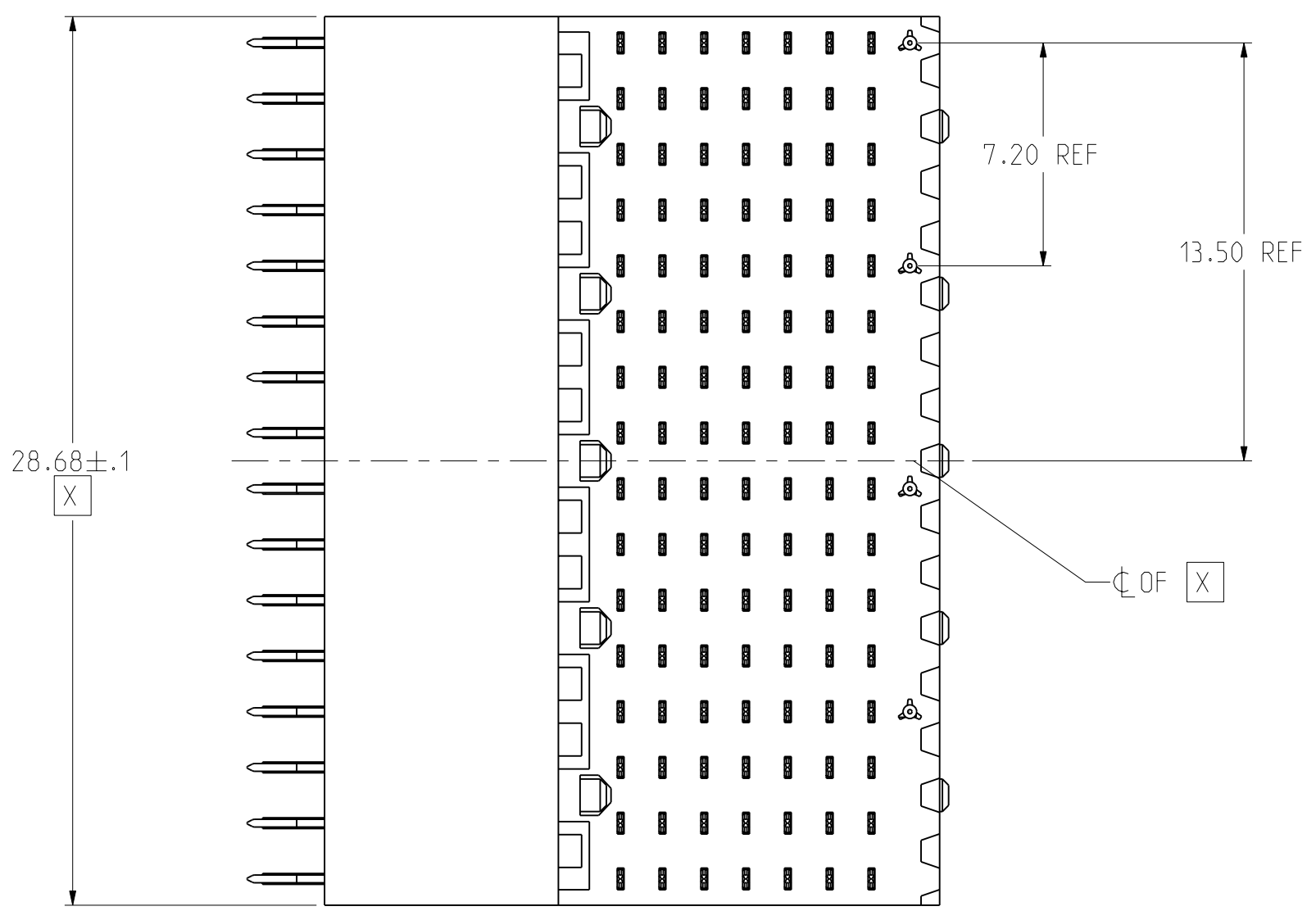
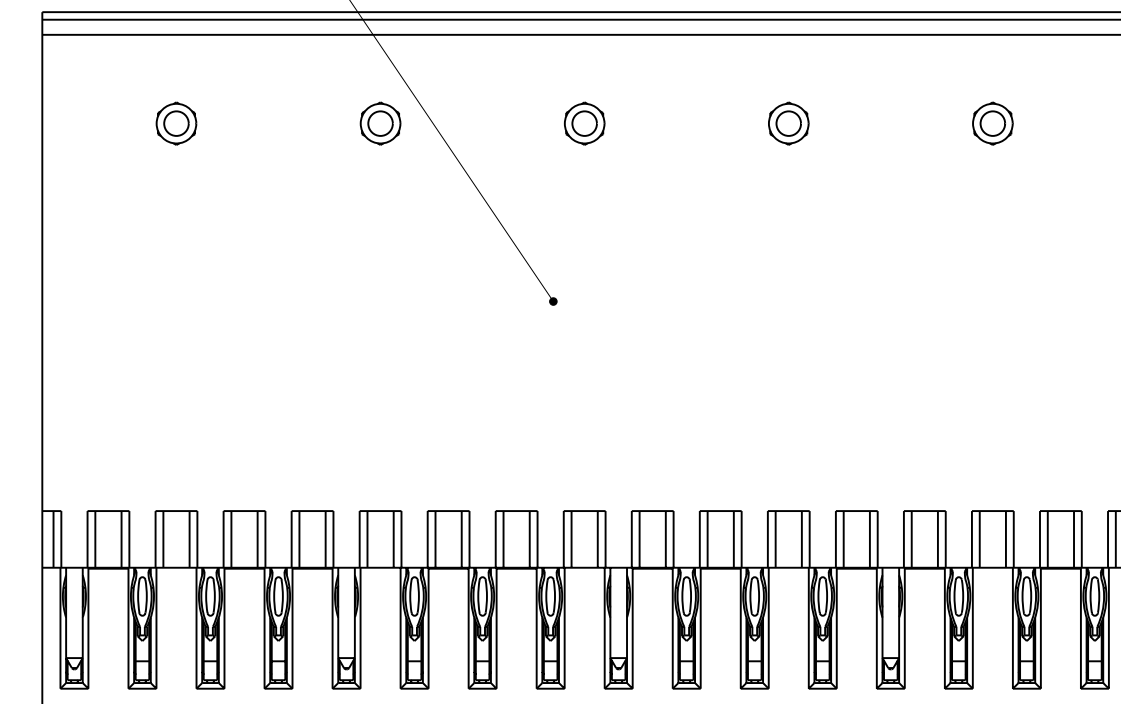
POSITION a1

1.80 REF
15 PLC

13.50 REF



PART MARKING AS FOLLOWS
 AMPHENOL 77820
 'DATE CODE'
 'AAO PART NUMBER'
 'WORK ORDER NUMBER AS LOT NUMBER'



NOTES: SEE SHEET 1

THE USE OF THIS DOCUMENT IS UNLIMITED.
 HOWEVER, DOCUMENTS REFERENCED HEREON
 MAY CONTAIN LIMITED RIGHTS DATA.

DOCUMENT NO. RVPX-P16DXX	SHEET 2 OF 2	REV. B
------------------------------------	--------------	------------------

SIZE C	CAGE CODE 77820	DOCUMENT NO. RVPX-P16DXX	REV. B
SCALE: 5.0		REF: NONE	SHEET 2 OF 2

Eng. PDM Information For Reference Only

REVISION B

VERSION 0

SHEET 2 OF 2

DOCUMENT NO. RVPX-P16DXX