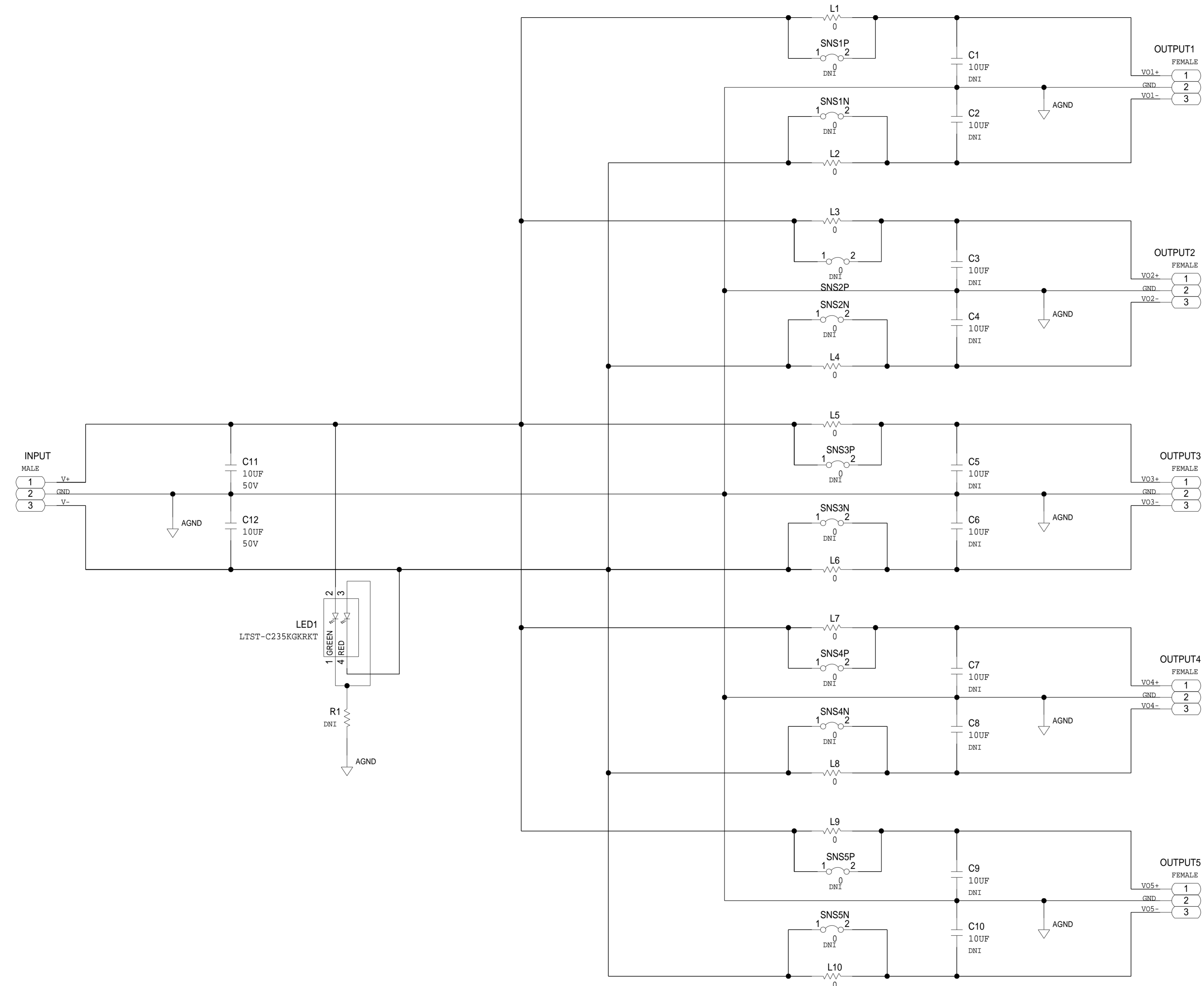


REVISIONS			
REV	DESCRIPTION	DATE	APPROVED



BREAKOUT BOARD  
1 X 5

	<b>SCHEMATIC</b>		
	HW TYPE : SCP EVAL-Z Product(s): 1X5 BREAK OUT BOARD		
	DESIGN VIEW <DESIGN_VIEW>	DRAWING NO. 02_051168	REV B
	PTD ENGINEER J VIERNES	SIZE D	SCALE 1:1
		SHEET 2 OF 2	