

VTB**SC**-O Series 50 Watt DC/DC Power Supply

Available Inputs:
 12VDC Nom (DC9~18V)
 24VDC Nom (DC 19~36V)
 48 VDC NOM (DC 38 ~ 63 V)
 110 VDC NOM (DC 85~160V)

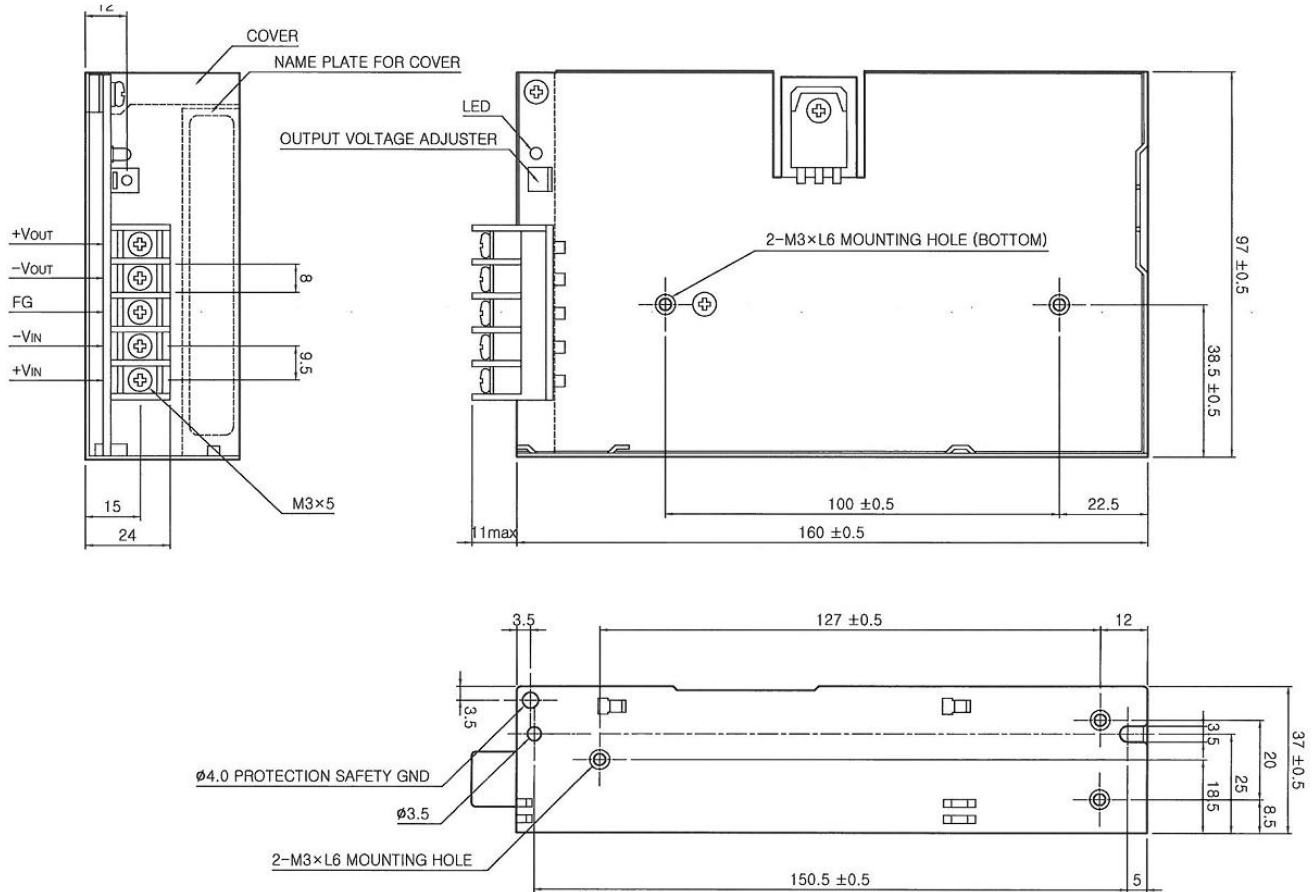
PART No. Description: VTB-SC-O

2 Year Warranty Output Voltage Input Voltage (nominal)

RoHS

		UNIT	VTB**SC12-O	VTB**SC24-O	VTB**SC48-O	VTB**SC110-O
INPUT	Nom Voltage (Range)	V	DC 12V (9~18)	DC 24V (19~36)	DC 48 (38~63)	DC 110V (85~160)
	Current Typ.	A	8.0	3.8	2.0	0.85
	Inrush Current	A	40 (Ta=25°C , Io=100% at cold Start)			
	Leakage	mA	3.5			
			VTB05SC**-O	VTB12SC**-O	VTB15SC**-O	VTB24SC**-O
OUTPUT	Nominal Voltage	VDC	5	12	15	24
	Voltage Range	VDC	4.95 ~ 5.05	11.88~12.12	14.85~15.15	23.76~24.24
	Current	A	10	4.2	3.4	2.5
	Total Pwr	W	50	50.4	51	60
	Efficiency	%	70	75	78	80
	Line Regulation	mV	25	60	75	120
	Load Regulation	mV	50	120	150	240
	Ripple	mVp-p	50	120	150	240
	Ripple Noise Maximum	mVp-p	100	170	200	290
	Temp Drift	mV	75	180	225	360
	Rise Time	mS	500 max [DC IN 9V Io =100%]			
	Hold up Time	mS	10 typ [DC IN 9V,Io =100%]			
	OVP	V	5.75~7.0	13.8-16.8	17.25~21.0	26.4~33.6
	OCP	A	11.0~13.0	4.6~5.5	3.7~4.4	2.8~3.3
Cooling	Convection					
ISOLATION	Input - Output	AC 1.5KV 1 min, cut-off: 20 mA / DC 500V 100MΩ				
	Input - F.G	AC 1.5KV 1 min, cut-off: 20 mA / DC 500V 100MΩ				
	Output -F.G	AC 500V 1 minute cut-off: 100mA, DC 500V 100MΩ				
Environment	Operating temp	-10 ~ +50°C, 20 ~ 90% RH(Non condensing)				
	Storage	-10 ~ +70°C, 20 ~ 90% RH(Non condensing)				
	Vibration	10 ~ 55Hz at 1G, 3 minutes period, 30 minutes along X, Y and Z axis				
Dimension	WxHxL	mm/g	97x37x178 / 400			

DIMENSIONAL DRAWING (mm)



OUTPUT DERATING CURVE AND RECCOMENDED MOUNTING DIAGRAM

