

■ Features

- Single output from 10-12W
- 100-240Vac Universal Input
- Efficiency Level: VI
- Over Current Protection
- Short Circuit Protection
- LPS Rated Products
- Class II construction
- Fixed AC blades: US, UK, EU, AU, CN
- Case options: Space saver design upon availability
- Dimension: 74x29x45.5mm(Space saver)



*Product images are for illustrative purposes only and may vary from actual design.

■ Application

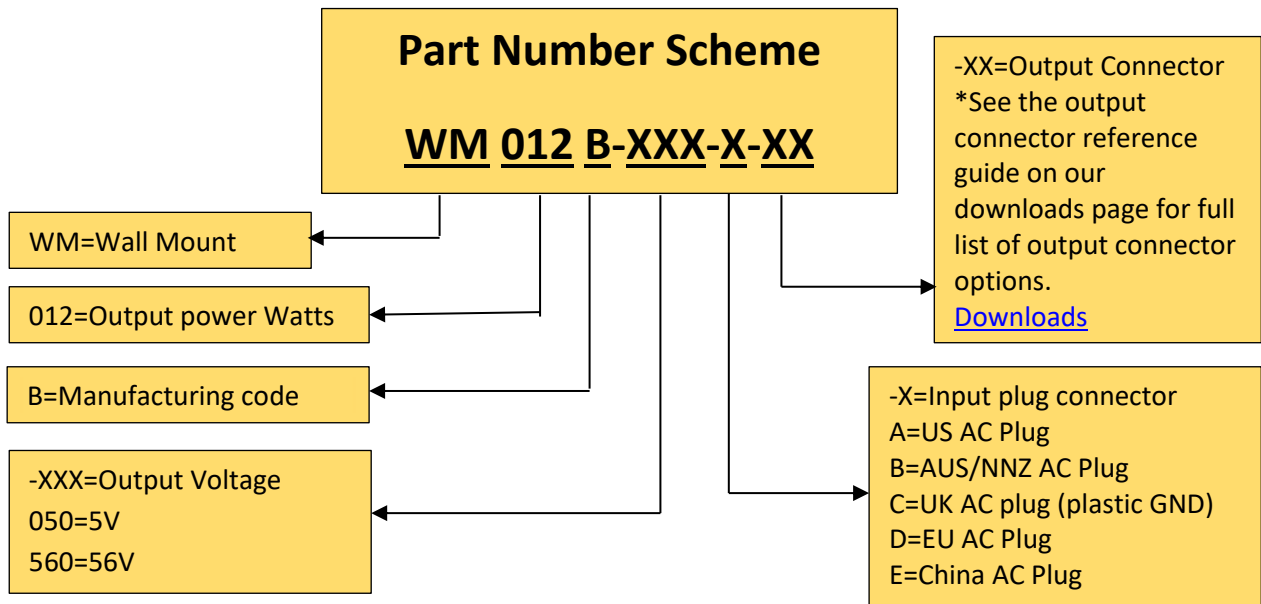
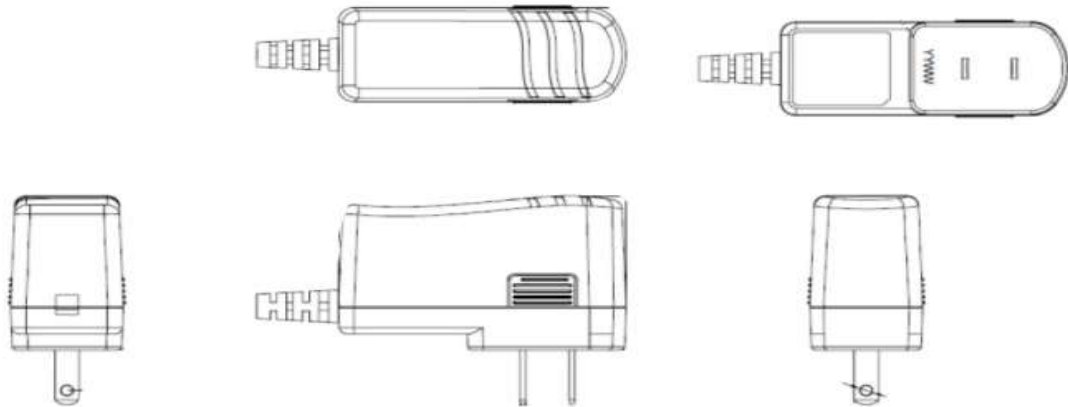
- Consumer electronics, Telecom and office equipment
- Industrial equipment

■ Model List

Custom Designs Available!

Model	Output Voltage	Output Current	Power	Certifications
WM012B-050-X-XX	5V	2A	10W	UL, CE, FCC, GS, TUV
WM012B-090-X-XX	9V	1.3A	12W	UL, CE, FCC, GS, TUV
WM012B-120-X-XX	12V	1A	12W	UL, CE, FCC, GS, TUV
WM012B-150-X-XX	15V	0.8A	12W	UL, CE, FCC, GS, TUV
WM012B-190-X-XX	19V	0.63A	12W	UL, CE, FCC, GS, TUV
WM012B-240-X-XX	24V	0.5A	12W	UL, CE, FCC, GS, TUV
WM012B-280-X-XX	28V	0.42A	12W	UL, CE, FCC, GS, TUV
WM012B-360-X-XX	36V	0.3A	12W	UL, CE, FCC, GS, TUV
WM012B-480-X-XX	48V	0.25A	12W	UL, CE, FCC, GS, TUV
WM012B-560-X-XX	56V	0.21A	12W	UL, CE, FCC, GS, TUV

■ Mechanical Diagram



***Some Safety Agency Approvals may differ from what is shown. Contact Autec Sales!**

***Product images are for illustrative purposes only and may vary from actual design.**

***Specifications are subject to change without notice. Autec is not responsible for issues arising from errors or omissions.**