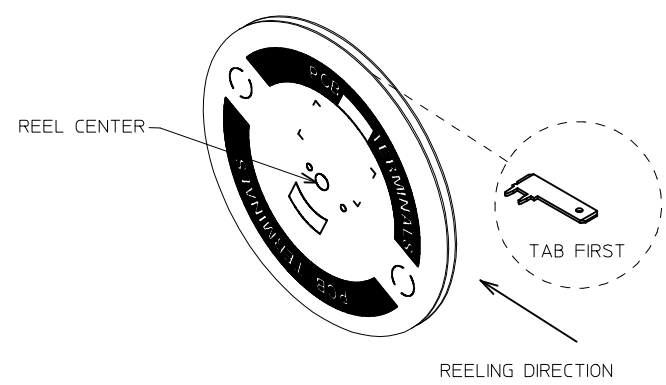
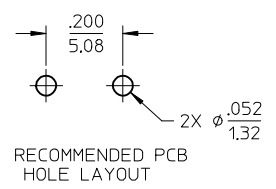
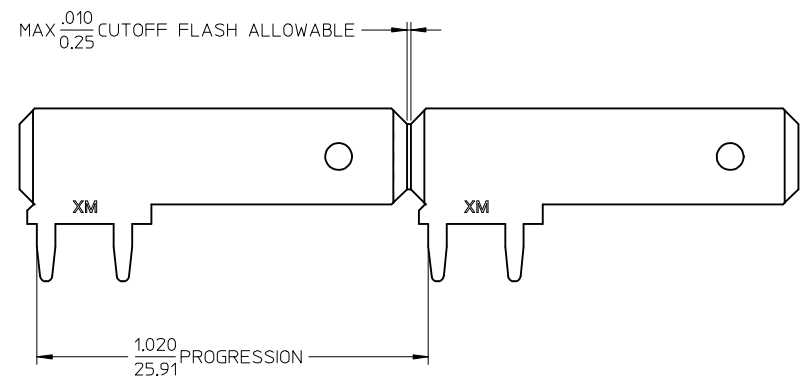
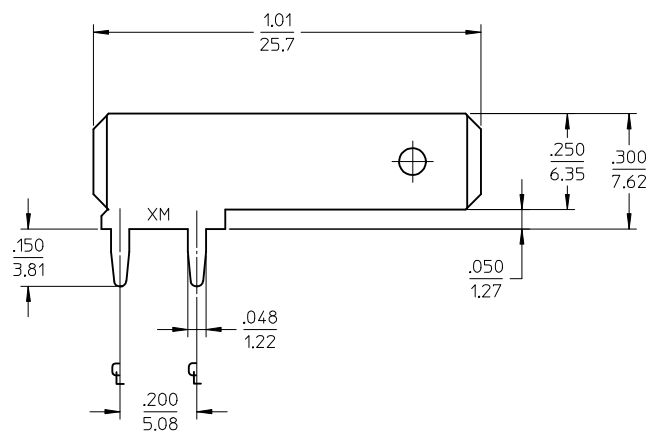
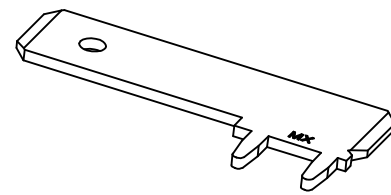


MATERIAL NUMBER	ENGINEERING NUMBER	CARRIER
197114003	19711-4003	STRIP
197114007	19711-4007	



- NOTES:
1. BARE EDGES PERMISSIBLE AT CARRIER CUT OFF.
  2. MATERIAL: BRASS C26000 (.032/0.81) THICK
  3. TAB CONFORMS TO NEMA SPECIFICATIONS.
  4. ALL DIMENSIONS AND NOTES REFERENCE UNLESS OTHERWISE NOTED.
  5. PLATING: MATTE TIN, 150μN/3.81 μm MINIMUM THICKNESS OVER NICKEL 50μN/1.25μm MINIMUM THICKNESS.
  6. REF.: 5,000 MINIMUM PARTS PER REEL, REEL HAS 24" DIAMETER REEL WITH A 1.25" DIAMETER CENTER HOLE.

EC NO.: ETC2003-0292 DRWN: DMYRICK 2004/05/13 CHKD: HBEITZE 2004/05/14 APPR: PDEROSS 2004/05/14	QUALITY SYMBOLS	GENERAL TOLERANCES (UNLESS SPECIFIED)		SCALE 4:1	DESIGN UNITS INCH	THIRD ANGLE PROJECTION	REVISE ON CAD ONLY
	DESCRIPTION ▼ -0 ∇ -0		mm	INCH	DIMENSION STYLE		TITLE
		4 PLACES	±---	±---	IN/MM		
		3 PLACES	±---	±.005	DRAWN BY	DATE	MOLEX INCORPORATED .250 X .032 TAB
2 PLACES	±0.13	±.01	EDB	11/08/96			
1 PLACE	±0.25	±---	CHECKED BY	DATE	SEE CHART SD-19711-400	SHEET NO. 1 OF 1	
ANGULAR ±1/2°		JH	11/08/96				
DRAFT WHERE APPLICABLE		APPROVED BY	DATE	MATERIAL NO.	DOCUMENT NO.		
MUST REMAIN WITHIN DIMENSIONS		RWD	11/08/96	SEE CHART	SD-19711-400		
THIS DRAWING CONTAINS INFORMATION THAT IS PROPRIETARY TO MOLEX INCORPORATED AND SHOULD NOT BE USED WITHOUT WRITTEN PERMISSION							