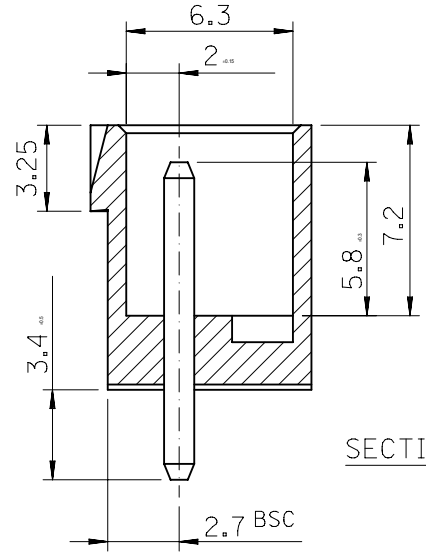
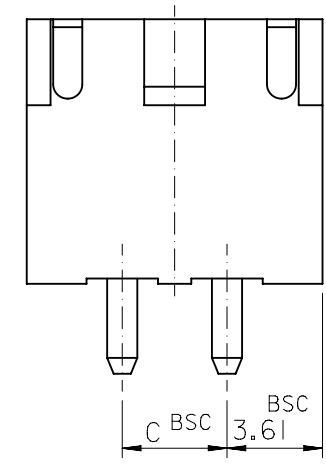
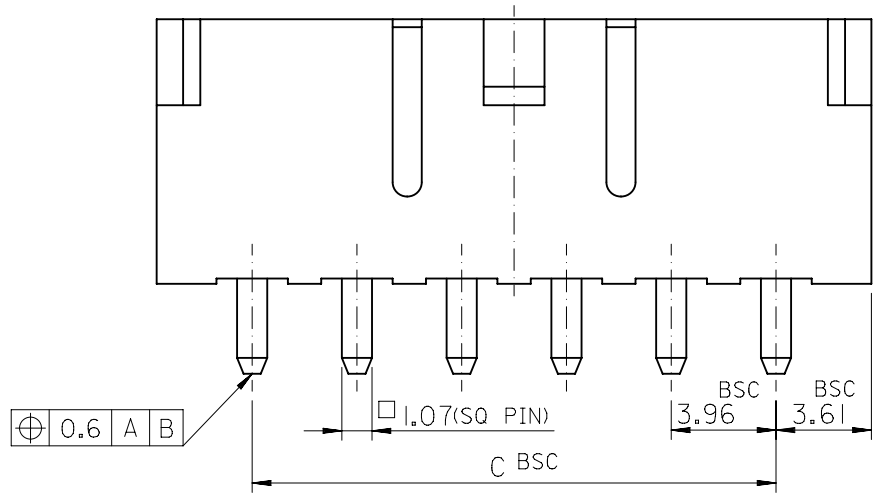
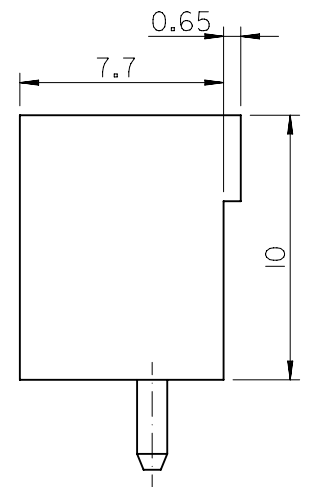
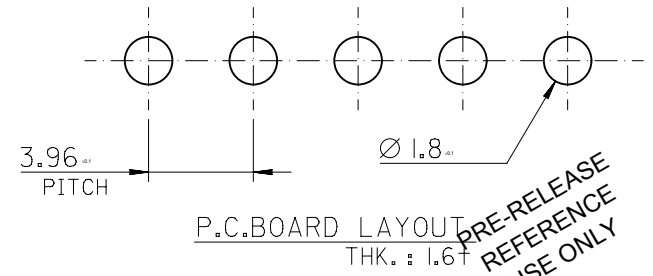
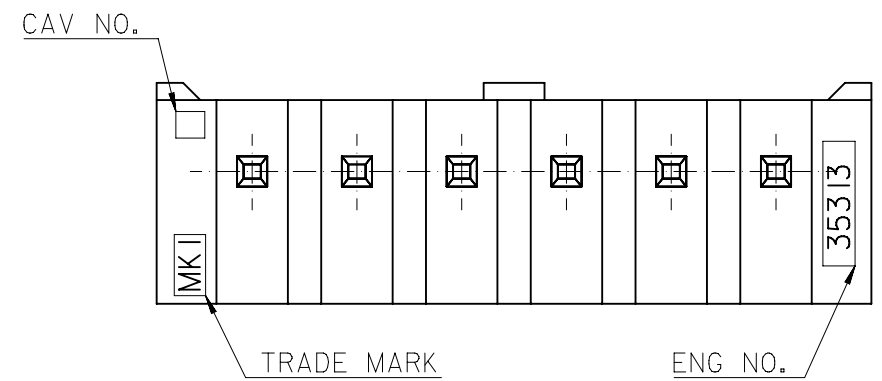


NOTE  
 1. MATERIAL : WAFER : NYLON66, GLASS FILLED 20%  
 PIN : BRASS, TIN PLATED  
 2. LEGEND  
 35313-\*\*\* 6 \*  
 COLOR : 0 - NATURAL  
 1 - BLACK  
 2 - RED  
 3 - YELLOW  
 4 - BLUE  
 CKT NO.(02,03,04...)  
 3. THIS PRODUCT SHALL BE COMPLIED WITH  
 RoHS COMPATIBLE(LEAD FREE SOLDERABILITY)



2 CKT ONLY



27.72	32.94	34.94	35313-086*	8
23.76	28.98	30.98	-076*	7
19.8	25.02	27.02	-066*	6
15.84	21.06	23.06	-056*	5
11.88	17.1	19.1	-046*	4
7.92	13.14	15.14	-036*	3
3.96	9.18	11.18	35313-026*	2
C	B	A	ENG NO.	CKT NO.

FUNCTIONAL SYMBOLS FA=0 EA=0 EP=0	THIS DRAWING CONTAINS INFORMATION THAT IS PROPRIETARY TO MOLEX ELECTRONIC TECHNOLOGIES, LLC AND SHOULD NOT BE USED WITHOUT WRITTEN PERMISSION		<b>molex</b>	
	CURRENT REV DESC: OBSOLETE PART NUMBERS AS PER PCN#510806			
	GENERAL TOLERANCES (UNLESS SPECIFIED)		3.96 PITCH W/B CONN. WAFER ASS	
	PRODUCT CUSTOMER DRAWING		DOCUMENT NUMBER	
DIVISIONAL SYMBOLS		DOC TYPE		
4 PLACES ± 0.0 ±		DOC PART		
3 PLACES ± 0.0 ±		REVISION		
2 PLACES ± 0.2 ±		SD-35313-001		
1 PLACE ± 0.2 ±		PSD 001 C1		
0 PLACES ± ±		MATERIAL NUMBER		
ANGULAR TOL ± °		CUSTOMER		
DRAFT WHERE APPLICABLE MUST REMAIN WITHIN DIMENSIONS		SEE TABLE		
THIRD ANGLE PROJECTION		GENERAL MARKET		
DRAWING		SHEET NUMBER		
B-SIZE		1 OF 1		
SERIES		35313		