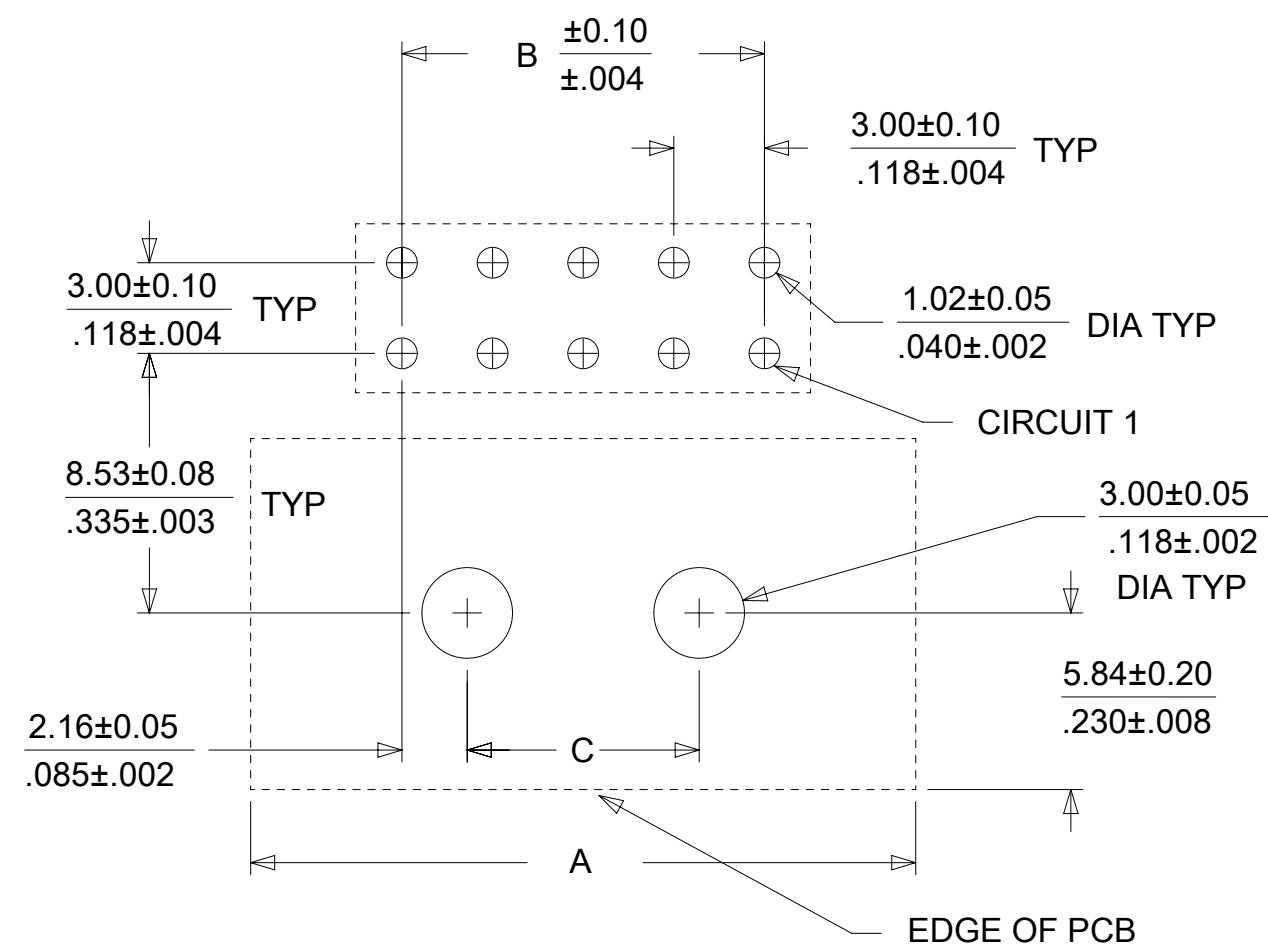
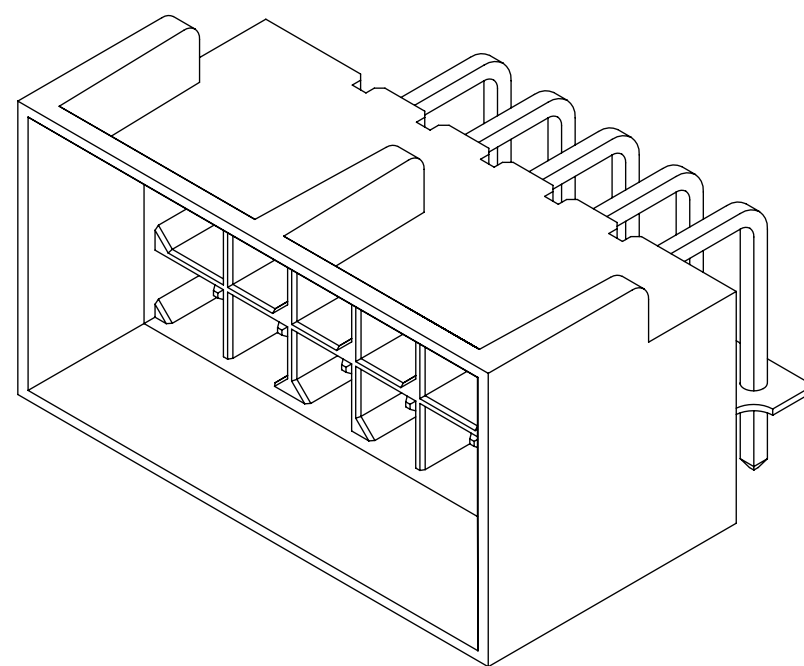


SEE SHEETS 2 & 3 FOR PART NUMBERS AND TERMINAL MATING AND TAIL LENGTHS



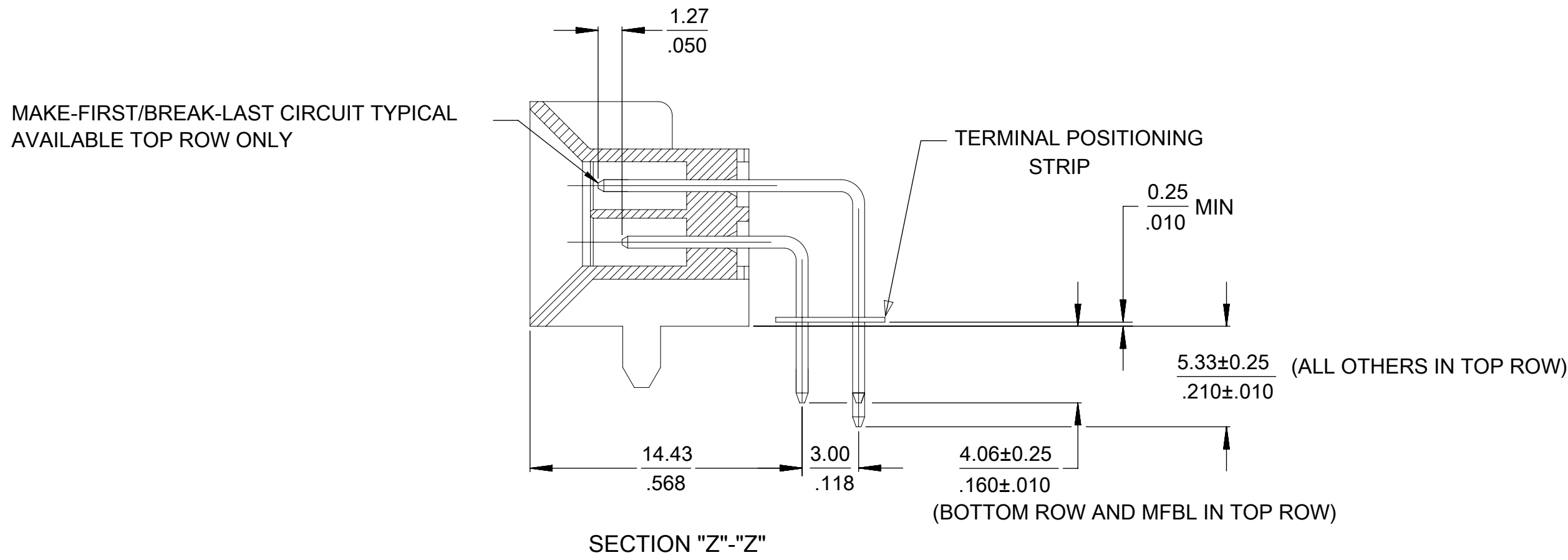
PCB LAYOUT: COMPONENT SIDE
RECOMMENDED PCB THICKNESS .115/2.92

NOTES :

- MATERIALS:
HOUSING : "A" - NYLON , GLASS-FILLED, UL94V-0, COLOR - BLACK
"B" - LCP, GLASS-FILLED, UL94V-0, COLOR - BLACK (LOW HALOGEN)
TERMINAL : BRASS ALLOY
TERMINAL POSITIONING STRIP : HIGH TEMPERATURE PET LAMINATE, COLOR - NATURAL
- FINISH:
A= 0.00254/(.000100) MIN MATTE TIN OVER
0.00127/(.000050) MIN NICKEL
B= 0.00038/(.000015) MIN. SELECT GOLD IN CONTACT AREA,
0.00254/(.000100) MIN. MATTE TIN ON SOLDER TAILS,
BOTH OVER 0.00127/(.000050) MIN NICKEL
C= 0.00076/(.000030) MIN. SELECT GOLD IN CONTACT AREA,
0.00254/(.000100) MIN. MATTE TIN ON SOLDER TAILS,
BOTH OVER 0.00127/(.000050) MIN NICKEL
- PRODUCT SPECIFICATION : PS-44300-001
EXCEPTION AS FOLLOWS:
MAKE-FIRST/BREAK-LAST TERMINAL = 0.71/(.027) GREATER THAN PS-44300-001
ALL OTHER TERMINALS = 0.56/(.022) LESS THAN PS-44300-001.
- PACKAGING SPECIFICATION : PK-44428-001
- THIS ASSEMBLY MATES WITH MOLEX BMI PANEL MOUNT RECEPTACLE 44133 SERIES WITH FEMALE CRIMP TERMINAL (SEE DRAWINGS SD-44133-001 AND SD-43030-****) OR BMI RECEPTACLE HEADERS (SEE DRAWING SD-44764-001 OR SD-44769-001).
- PART CONFORMS TO CLASS 'B' REQUIREMENTS OF COSMETIC SPECIFICATION PS-45499-002.
- RETENTION PEGS WILL NOT LATCH TO PCB THICKNESS GREATER THAN .062/1.57.
- TEXT ON PART IS FOR REFERENCE ONLY. TEXT AND TEXT LOCATION MAY VARY DEPENDING ON PART NUMBER AND/OR TOOL.

FUNCTIONAL SYMBOLS	THIS DRAWING CONTAINS INFORMATION THAT IS PROPRIETARY TO MOLEX ELECTRONIC TECHNOLOGIES, LLC AND SHOULD NOT BE USED WITHOUT WRITTEN PERMISSION										
	DIMENSION UNITS	SCALE		CURRENT REV DESC: FINISH A CHANGED TO MATTE SN							
$\frac{F}{A} = 0$	MM/INCH	NTS		EC NO: 675709							
$\frac{F}{C} = 0$	GENERAL TOLERANCES (UNLESS SPECIFIED)			DRWN: JEHRISMAN 2020/01/09							
$\frac{F}{P} = 0$		MM	INCH	CHK'D: SSOUSEK 2022/01/24							
DIVISIONAL SYMBOLS	4 PLACES	±	±	APPR: FSMITH 2022/01/25						PRODUCT CUSTOMER DRAWING	
	3 PLACES	±	± 0.01	INITIAL REVISION:						DOCUMENT NUMBER	
	2 PLACES	± 0.25	± 0.015	DRWN: GAVERILL 2008/10/03						SD-44428-005	
	1 PLACE	± 0.38	±	APPR: FSMITH 2013/03/11						DOC TYPE DOC PART REVISION	
	0 PLACES	±	±	DRAFT WHERE APPLICABLE MUST REMAIN WITHIN DIMENSIONS						PSD 000 B	
		ANGULAR TOL	± 0.5 °	THIRD ANGLE PROJECTION		DRAWING		SERIES		MATERIAL NUMBER	
				C-SIZE		44428		SEE CHART		CUSTOMER	
								GENERAL MARKET		SHEET NUMBER	
										1 OF 3	

				X= MAKE-FIRST/BREAK-LAST CIRCUIT																											
MATERIAL NO:	CKTS	HOUSING MATERIAL	FINISH OPTION	RETENTION PEG OPTION	DIM A	DIM B	DIM C	CKT 1	CKT 2	CKT 3	CKT 4	CKT 5	CKT 6	CKT 7	CKT 8	CKT 9	CKT 10	CKT 11	CKT 12	CKT 13	CKT 14	CKT 15	CKT 16	CKT 17	CKT 18	CKT 19	CKT 20	CKT 21	CKT 22	CKT 23	CKT 24
	04																														
	06																														
44428-0836	08	A	C	NO	19.00 .748	9.00 .354	N/A					X																			
	10																														
	12																														
	14																														
	16																														
	18																														
	20																														
	22																														
	24																														

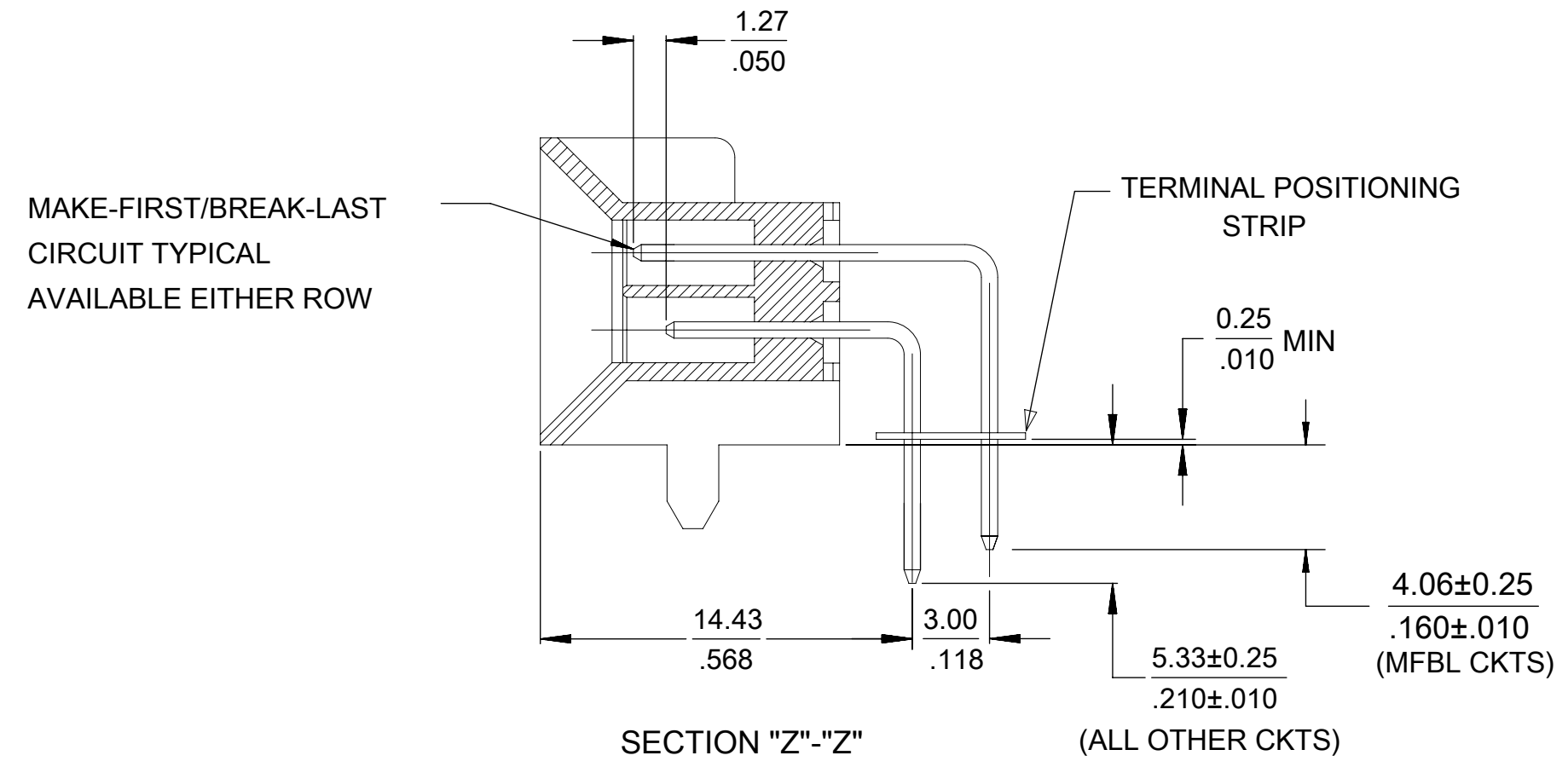


MAKE-FIRST/BREAK-LAST ONLY AVAILABLE IN TOP ROW OF TERMINALS

FUNCTIONAL SYMBOLS	THIS DRAWING CONTAINS INFORMATION THAT IS PROPRIETARY TO MOLEX ELECTRONIC TECHNOLOGIES, LLC AND SHOULD NOT BE USED WITHOUT WRITTEN PERMISSION									
	DIMENSION UNITS	SCALE	CURRENT REV DESC: FINISH A CHANGED TO MATTE SN							
$\frac{F}{A} = 0$	MM/INCH	NTS	 MICRO-FIT (3.0) BMI, MF/BL, .115 PCB DUAL ROW RIGHT ANGLE HEADER, MAKE-FIRST/BREAK-LAST							
$\frac{F}{C} = 0$	GENERAL TOLERANCES (UNLESS SPECIFIED)									
$\frac{F}{P} = 0$			EC NO: 675709 DRWN: JEHRISMAN 2020/01/09 CHK'D: SSOUSEK 2022/01/24 APPR: FSMITH 2022/01/25							
DIVISIONAL SYMBOLS										
4 PLACES ±			INITIAL REVISION: DRWN: GAVERILL 2008/10/03 APPR: FSMITH 2013/03/11							
3 PLACES ± ± 0.01										
2 PLACES ± 0.25 ± 0.015			DOCUMENT NUMBER		DOC TYPE		DOC PART		REVISION	
1 PLACE ± 0.38 ±			SD-44428-005		PSD		000		B	
0 PLACES ± ±			SEE CHART		GENERAL MARKET		2 OF 3			
ANGULAR TOL ± 0.5 °			DRAFT WHERE APPLICABLE MUST REMAIN WITHIN DIMENSIONS		THIRD ANGLE PROJECTION		DRAWING		SERIES	
					C-SIZE		44428			

												X = MAKE-FIRST/BREAK-LAST																			
MATERIAL NO:	CKTS	HOUSING MATERIAL	FINISH OPTION	RETENTION PEG OPTION	DIM A	DIM B	DIM C	CKT 1	CKT 2	CKT 3	CKT 4	CKT 5	CKT 6	CKT 7	CKT 8	CKT 9	CKT 10	CKT 11	CKT 12	CKT 13	CKT 14	CKT 15	CKT 16	CKT 17	CKT 18	CKT 19	CKT 20	CKT 21	CKT 22	CKT 23	CKT 24
	04																														
	06																														
44428-0839	08	B	C	YES	$\frac{19.00}{.748}$	$\frac{9.00}{.354}$	$\frac{4.68}{.184}$				X	X																			
	10																														
	12																														
	14																														
44428-1639	16	B	C	NO	$\frac{31.00}{1.220}$	$\frac{21.00}{.827}$	$\frac{16.68}{.657}$		X			X									X										
44428-1640	16	B	C	NO	$\frac{31.00}{1.220}$	$\frac{21.00}{.827}$	$\frac{16.68}{.657}$	X		X	X		X	X	X	X	X	X	X	X		X									
	18																														
	20																														
	22																														
	24																														

CKT 1	CKT 2	CKT 3	CKT 4	CKT 5	CKT 6	CKT 7	CKT 8	CKT 9	CKT 10	CKT 11	CKT 12	CKT 13	CKT 14	CKT 15	CKT 16	CKT 17	CKT 18	CKT 19	CKT 20	CKT 21	CKT 22	CKT 23	CKT 24
-------	-------	-------	-------	-------	-------	-------	-------	-------	--------	--------	--------	--------	--------	--------	--------	--------	--------	--------	--------	--------	--------	--------	--------



FUNCTIONAL SYMBOLS FA = 0 FC = 0 FP = 0	THIS DRAWING CONTAINS INFORMATION THAT IS PROPRIETARY TO MOLEX ELECTRONIC TECHNOLOGIES, LLC AND SHOULD NOT BE USED WITHOUT WRITTEN PERMISSION		CURRENT REV DESC: FINISH A CHANGED TO MATTE SN																
	DIMENSION UNITS MM/INCH	SCALE NTS	GENERAL TOLERANCES (UNLESS SPECIFIED)			MICRO-FIT (3.0) BMI, MF/BL, .115 PCB DUAL ROW RIGHT ANGLE HEADER, MAKE-FIRST/BREAK-LAST PRODUCT CUSTOMER DRAWING													
			MM	INCH			EC NO: 675709 DRWN: JEHRISMAN CHK'D: SSOUSEK APPR: FSMITH 2020/01/09 2022/01/24 2022/01/25												
DIVISIONAL SYMBOLS		4 PLACES ±	±	3 PLACES ±	± 0.01		2 PLACES ±	0.25 ±	± 0.015	1 PLACE ±	0.38 ±	0 PLACES ±	±	ANGULAR TOL ±	0.5 °	INITIAL REVISION: DRWN: GAVERILL APPR: FSMITH 2008/10/03 2013/03/11	DOCUMENT NUMBER SD-44428-005	DOC TYPE PSD	DOC PART 000
DRAFT WHERE APPLICABLE MUST REMAIN WITHIN DIMENSIONS		THIRD ANGLE PROJECTION	DRAWING C-SIZE	SERIES 44428	MATERIAL NUMBER SEE CHART	CUSTOMER GENERAL MARKET	SHEET NUMBER 3 OF 3												