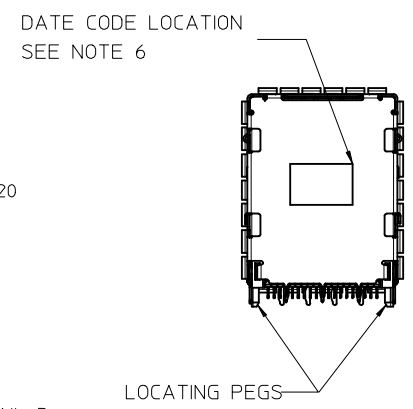
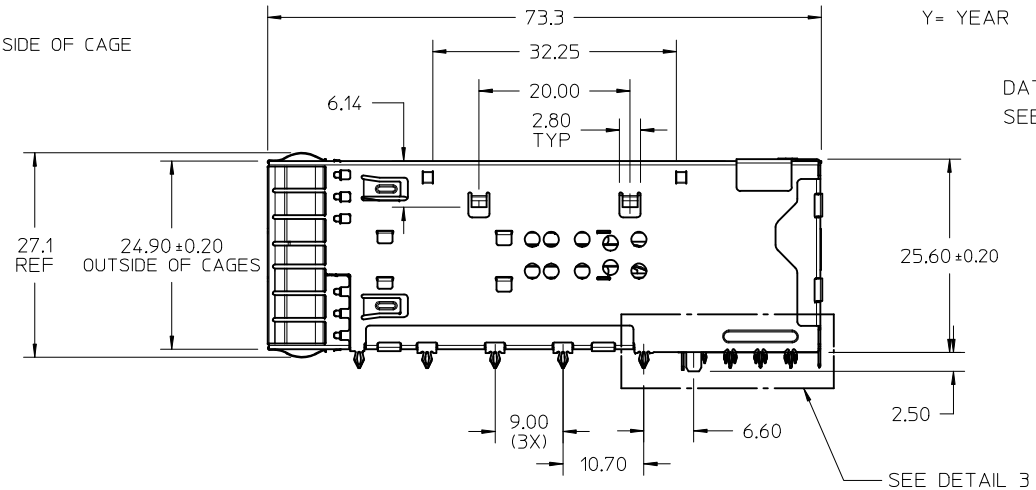
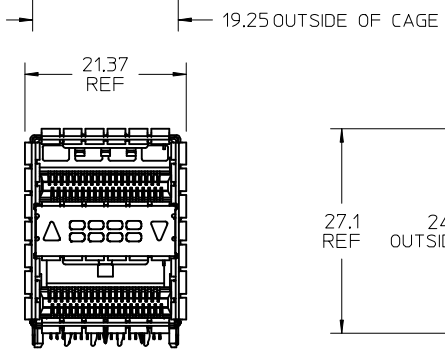
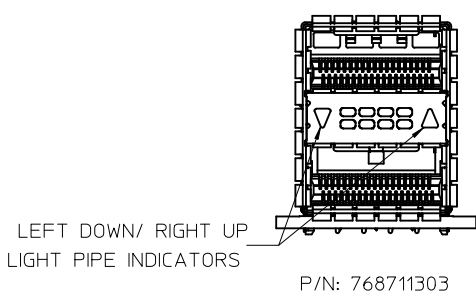
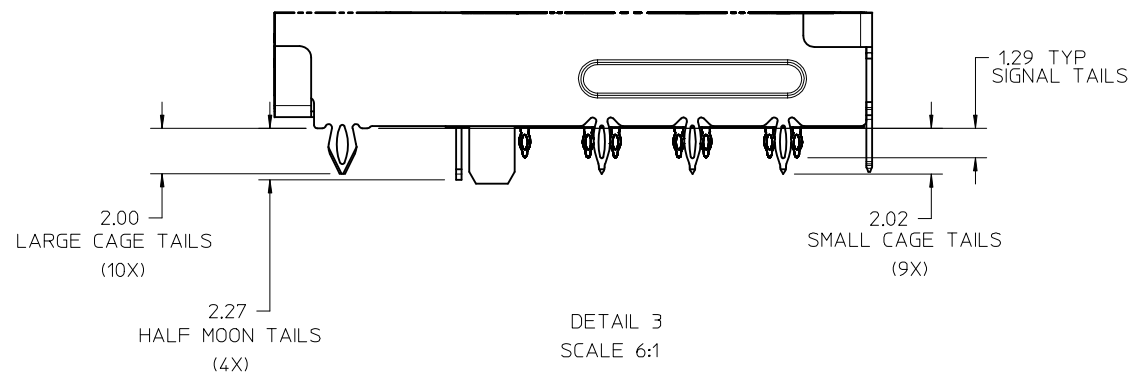
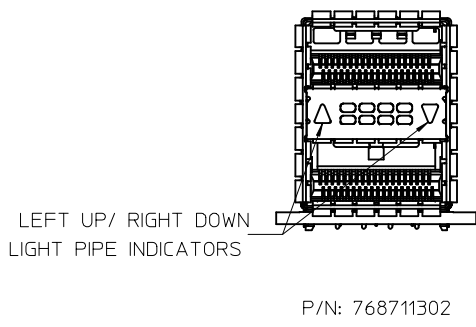
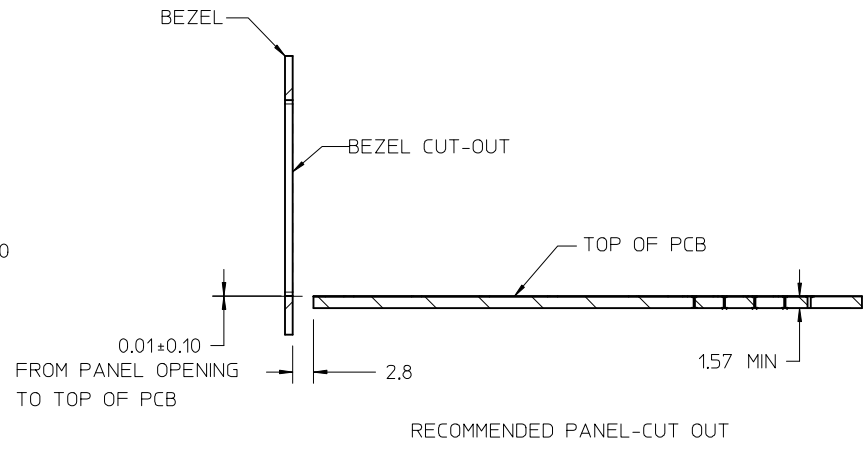
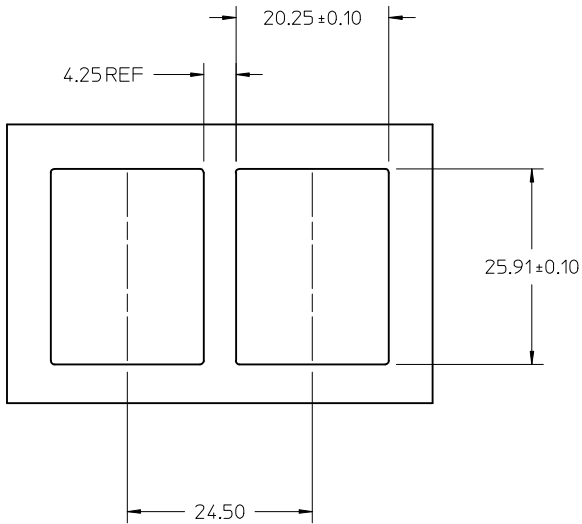
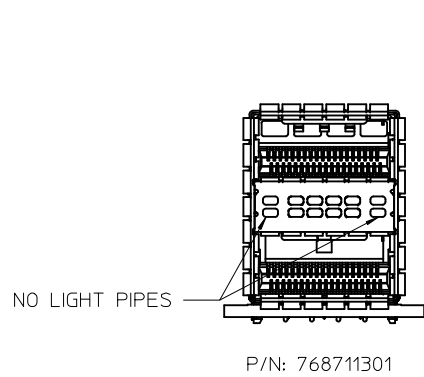


- NOTES:
- MATERIAL:
 - CAGE: NICKEL SILVER, THICKNESS: 0.25mm
 - EMI SPRING FINGERS: C510 PHOS-BRONZE: 0.076 REF
 - LIGHT PIPES: POLYCARBONATE
 - CONNECTOR HOUSING: GLASS FILLED THERMOPLASTIC. UL:94V-0. COLOR: BLACK
 - TERMINALS: HIGH PERFORMANCE COPPER ALLOY
 - FINISH:
 - CAGE: UNPLATED
 - EMI SPRING FINGERS: 2.54µm NICKEL OVERALL
 - TERMINALS: CONTACT AREA: 0.76 µm MIN. HARD GOLD OVER NICKEL. COMPLIANT TAIL: 0.7-1.5 µm MATTE TIN OVER NICKEL.
 - PACKAGING: PRODUCT PACKAGED IN TRAYS AND CARTONS
 - ALL VISIBLE EXTERIOR SURFACES TO BE CLASS "B" OR BETTER EXCEPT FOR THE UNDERSIDE OF THE CAGE AND SHOULD CONFORM TO THE MOLEX COSMETIC STANDARD PS-45499-002
 - CONNECTOR MATES WITH PLUG CABLE SERIES 74757 AND 74758
 - DATE CODE LOCATION SHOWN
DATE CODE FORMAT:DDD
DDD= DAY OF THE YEAR
Y= YEAR

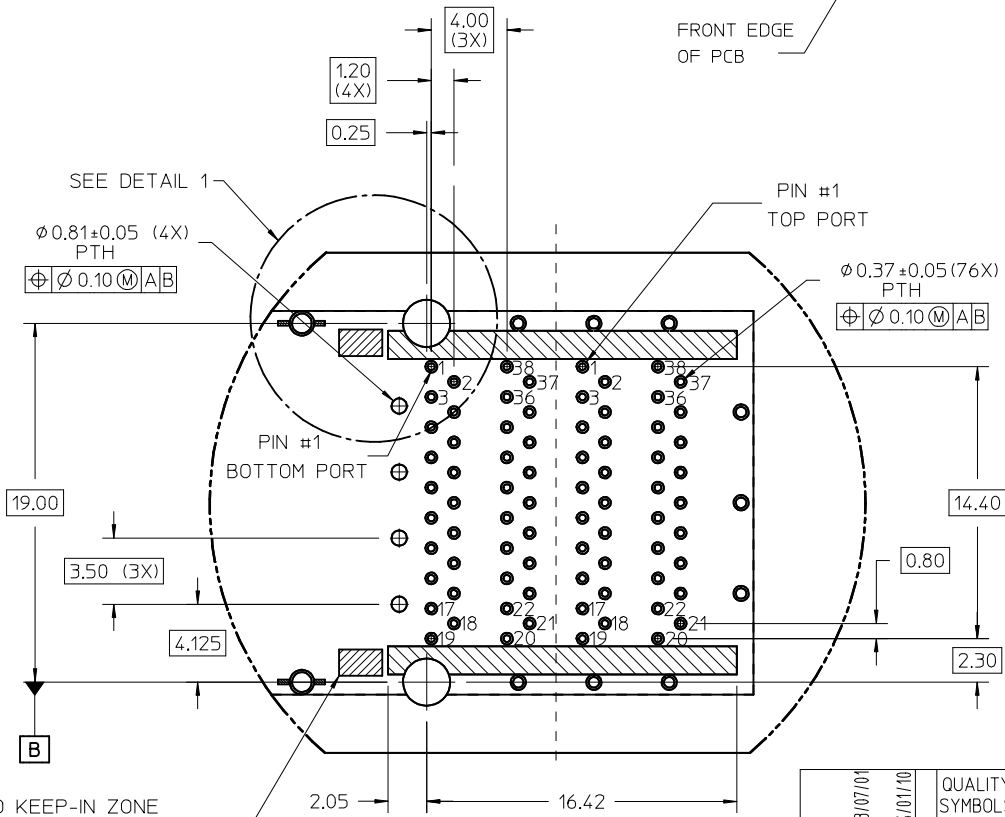
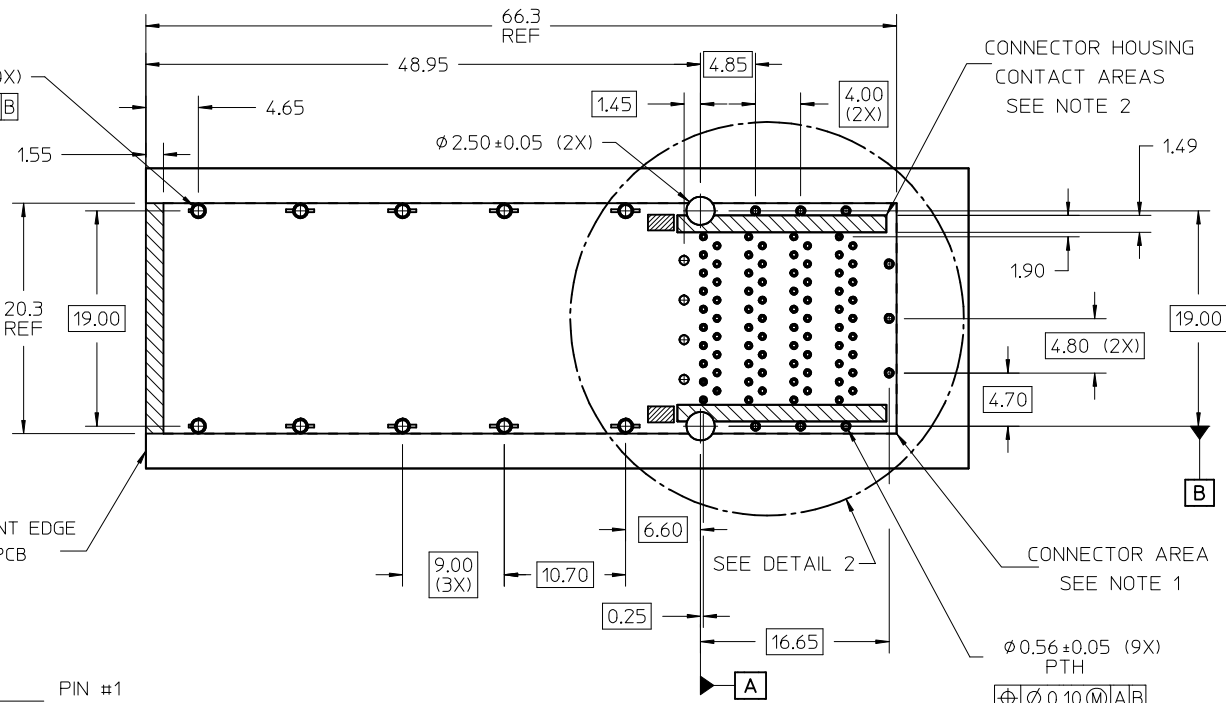
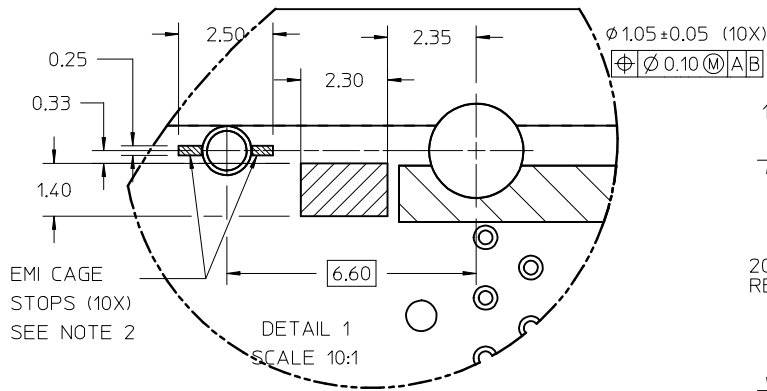


PART NUMBER	DESCRIPTION	SHOWN ON SHEET	PLATING
768711301	NO LIGHT PIPES	2	TIN
768711302	LEFT UP/ RIGHT DOWN	2	TIN
768711303	LEFT DOWN/ RIGHT UP	1 & 2	TIN

CORRECTED PIN CALLOUT EC NO: UCP2014-2860 DRWN:HAVERY 2013/07/01 CHKD: APPR:MBANAKIS 2014/01/10	QUALITY SYMBOLS	GENERAL TOLERANCES (UNLESS SPECIFIED)	DIMENSION STYLE MM ONLY	SCALE 2:1	DESIGN UNITS METRIC	THIRD ANGLE PROJECTION
	▽=0	mm INCH	DRAWN BY DATE JGONZALEZ01 2011/09/09	TITLE QSFP+ 2X1 ASSY W EMI SPRING FINGERS & HEAT SINK OPTION		
	▽=0	4 PLACES ± --- ± ---	CHECKED BY DATE KREGNIER 2011/09/09	APPROVED BY DATE MBANAKIS 2011/09/15		
	▽=0	3 PLACES ± --- ± --- 2 PLACES ± 0.13 ± --- 1 PLACE ± 0.25 ± ---	APPROVED BY DATE MBANAKIS 2011/09/15	MATERIAL NO. SEE CHART		
		ANGULAR ± 1/2°	DOCUMENT NO. SD-76871-1301			SHEET NO. 1 OF 3
		DRAFT WHERE APPLICABLE MUST REMAIN WITHIN DIMENSIONS	THIS DRAWING CONTAINS INFORMATION THAT IS PROPRIETARY TO MOLEX INCORPORATED AND SHOULD NOT BE USED WITHOUT WRITTEN PERMISSION			



SEE SHEET 1 EC NO: UCP2014-2860 DRW:HAVERY 2013/07/01 CHKD: APPR:MBANAKIS 2014/01/10	QUALITY SYMBOLS ∇=0 ∇=0 ∇=0	GENERAL TOLERANCES (UNLESS SPECIFIED)		DIMENSION STYLE MM ONLY		SCALE 2:1	DESIGN UNITS METRIC	THIRD ANGLE PROJECTION		
		4 PLACES ± --- ± --- 3 PLACES ± --- ± --- 2 PLACES ± 0.13 ± --- 1 PLACE ± 0.25 ± ---	mm INCH	DRAWN BY JGONZALEZ01	DATE 2011/09/09	TITLE QSFP+ 2X1 ASSY W EMI SPRING FINGERS & HEAT SINK OPTION				
		ANGULAR ± 1/2°		CHECKED BY KREGNIER	DATE 2011/09/09	MOLEX INCORPORATED				
		DRAFT WHERE APPLICABLE MUST REMAIN WITHIN DIMENSIONS		APPROVED BY MBANAKIS	DATE 2011/09/15	MATERIAL NO. SEE CHART		DOCUMENT NO. SD-76871-1301	SHEET NO. 2 OF 3	
		THIS DRAWING CONTAINS INFORMATION THAT IS PROPRIETARY TO MOLEX INCORPORATED AND SHOULD NOT BE USED WITHOUT WRITTEN PERMISSION								



- NOTES:
1. THE ENTIRE AREA UNDER THE CONNECTOR (DASHED LINES) IS TO BE CONSIDERED A KEEP-OUT AREA FOR COMPONENTS.
 2. HATCHED AREAS REPRESENT ZONES ON THE PCB THAT COME IN CONTACT WITH OR IN CLOSE PROXIMITY TO THE PLASTIC HOUSING OR THE CONNECTOR CAGE. INDICATED AREAS TO BE CONSIDERED TRACE FREE.
 3. PIN NUMBERS ARE PER THE STANDARD.
BOTH PORTS ARE IN THE SAME (UP-UP)MODULE ORIENTATION.
 4. LED KEEP-IN ZONE DEFINES THE PHYSICAL SPACE ALLOWED FOR PLACEMENT OF SMD CHIP STYLE LED PACKAGES INCLUDING SMD MOUNTING PADS. KEEP-IN ZONE EXTENDS VERTICALLY TO 0.8mm ABOVE THE TOP SIDE OF BOARD.
 5. SEE APPLICATION SPEC AS-76870-001 FOR RECOMMENDED DRILL HOLE SIZE.
 6. SEE ROUTING GUIDE AS-76871-0002 FOR ROUTING RECOMMENDATION.

SEE SHEET 1 EC NO: UCP2014-2860 DRW: HAVERY 2013/07/01 CHKD: MBANAKIS 2014/01/10 APPR: MBANAKIS	QUALITY SYMBOLS $\nabla = 0$ $\nabla = 0$ $\nabla = 0$	GENERAL TOLERANCES (UNLESS SPECIFIED) <table border="1"> <tr> <th></th> <th>mm</th> <th>INCH</th> </tr> <tr> <td>4 PLACES</td> <td>± 0.15</td> <td>± 0.006</td> </tr> <tr> <td>3 PLACES</td> <td>± 0.20</td> <td>± 0.008</td> </tr> <tr> <td>2 PLACES</td> <td>± 0.25</td> <td>± 0.010</td> </tr> <tr> <td>1 PLACE</td> <td>± 0.30</td> <td>± 0.012</td> </tr> </table>		mm	INCH	4 PLACES	± 0.15	± 0.006	3 PLACES	± 0.20	± 0.008	2 PLACES	± 0.25	± 0.010	1 PLACE	± 0.30	± 0.012	DIMENSION STYLE MM ONLY DRAWN BY DATE JGONZALEZ01 2011/09/09 CHECKED BY DATE KREGNIER 2011/09/09 APPROVED BY DATE MBANAKIS 2011/09/15	SCALE 3:1 TITLE QSFP+ 2X1 ASSY W EMI SPRING FINGERS & HEAT SINK OPTION	DESIGN UNITS METRIC THIRD ANGLE PROJECTION	MATERIAL NO. SEE CHART DOCUMENT NO. SD-76871-1301	SHEET NO. 3 OF 3
		mm	INCH																			
	4 PLACES	± 0.15	± 0.006																			
	3 PLACES	± 0.20	± 0.008																			
2 PLACES	± 0.25	± 0.010																				
1 PLACE	± 0.30	± 0.012																				
DRAFT WHERE APPLICABLE MUST REMAIN WITHIN DIMENSIONS		MOLEX INCORPORATED		MOLEX INCORPORATED		THIS DRAWING CONTAINS INFORMATION THAT IS PROPRIETARY TO MOLEX INCORPORATED AND SHOULD NOT BE USED WITHOUT WRITTEN PERMISSION																