



Product Change Notification

TE Connectivity

Product Change Notification: P-21-020980

PCN Date: 02-JUN-21

TE would like to inform you of the following change(s) to the listed TE Connectivity Product. In case of any further questions about this change(s), please contact your TE Connectivity Sales Engineer. Affected part, drawing and/or specification numbers are listed on the attached sheet(s).

General Product Description:

RF Connector

Description of Changes

Manufacturing location change. Following Part Numbers will be transferred from JiagnSu province to GuangDong province.

Other attachments:

[Customer Drawing](#)

Reason for Changes:

Dear Customer, as a result of our continuous strive for improving our processes, we hereby inform you about a transfer of tools and/or processes. The transfer is executed by following a strict transfer procedure, which guarantees no negative influence on quality, ability to supply and form-fit-function of the concerned products. The new manufacturing location is under a certified quality management system according the standard industry requirements. An internal release based on our specifications will be executed before any parts will be delivered, which guarantees the performance.

Estimated Dates:

Last Order Date (Obsolete Parts Only):	First Date To Ship (Changed Parts Only):
	01-AUG-2021
Last Ship Date (Obsolete Parts Only):	Last Date for Mixed Shipments: (Changed Parts Only):
	No Mixed Shipments

Part Number(s) being Modified:

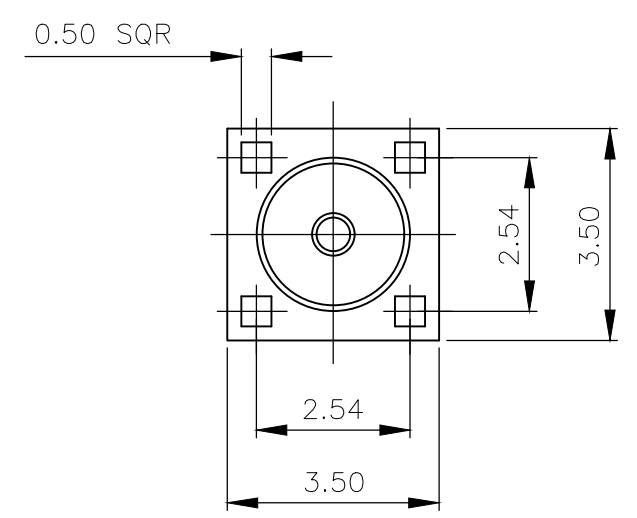
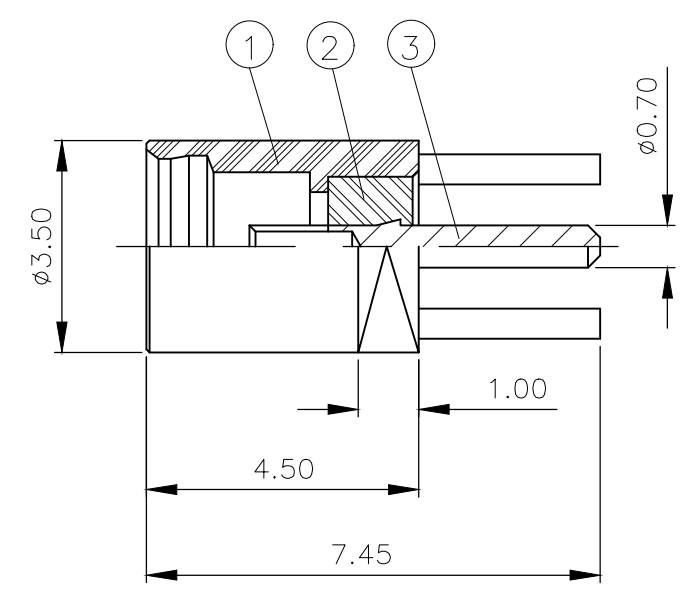
Part Number	Part Discontinued per PCN	Customer Drawing	Customer Part Number	Alias Part Number(s)	Substitute Part Number	Substitute Alias Part Number(s)	Description Of Difference
1-1634009-0	NO						

Part Number(s) being Modified:

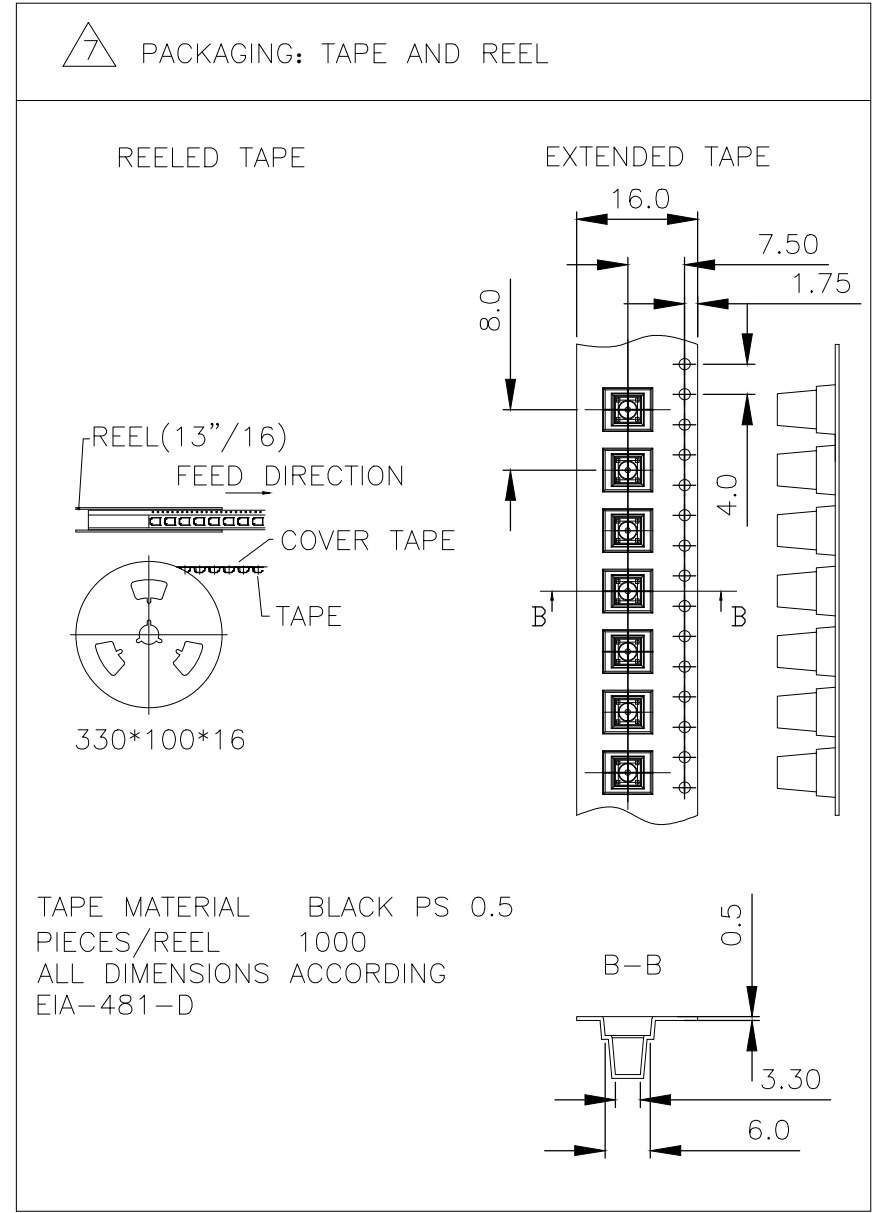
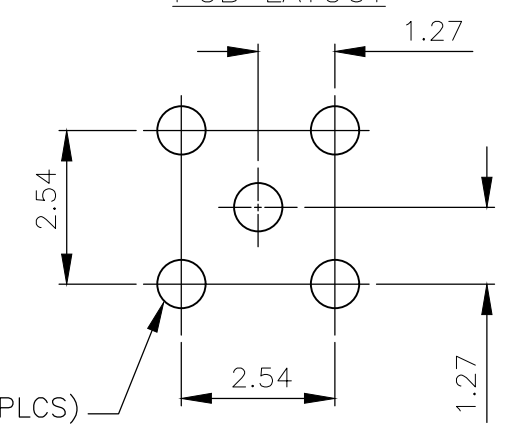
Part Number	Part Discontinued per PCN	Customer Drawing	Customer Part Number	Alias Part Number(s)	Substitute Part Number	Substitute Alias Part Number(s)	Description Of Difference
1-1634009-0	NO						

THIS DRAWING IS UNPUBLISHED. RELEASED FOR PUBLICATION NOV , 2003.
 © COPYRIGHT 2003 By - ALL RIGHTS RESERVED.

P	LTR	DESCRIPTION	DATE	DWN	APVD
	D1	ECR-18-007914	20JUN2018	ED	RS



RECOMMENDED PCB LAYOUT



TAPE MATERIAL BLACK PS 0.5
 PIECES/REEL 1000
 ALL DIMENSIONS ACCORDING
 EIA-481-D

- ① SINGLE PACK: 1PC IN A BAG WITH LABEL; 100 BAGS IN AN INNER BOX WITH LABEL; 20 INNER BOXES IN A CARTON WITH LABEL
- ② 100 PCS IN A TRAY WITH LABEL; 25 TRAYS IN A CARTON WITH LABEL
- ③ Au PLATING
- ④ FLASH Au PLATING

ELECTRICAL CHARACTERISTICS

FREQUENCY RANGE: DC - 6GHz
 NOMINAL IMPEDANCE: 50 Ohm
 INSULATION RESISTANCE: 1000MOhm
 WORKING VOLTAGE: 335V RMS at Sea Level
 DIELECTRIC WITHSTAND VOLTAGE: 500V RMS Max
 CONTACT RESISTANCE:
 CENTRE CONTACT: 5.00 MOhm Max
 OUTER CONTACT: 2.50 MOhm Max

MECHANICAL CHARACTERISTICS

DURABILITY: 500 Cycles Min

ENVIRONMENTAL CHARACTERISTICS

OPERATING TEMPERATURE: -65°C to +165°C

5 FOR TECHNICAL DATA REFER TO YOUR LOCAL TE CONNECTIVITY SALES OFFICE

6 ALL DIMENSIONS ARE NOMINAL FOR REFERENCE ONLY UNLESS OTHERWISE STATED

QUANTITY PER ASSY	7	2	1	MATERIAL	DESCRIPTION	ITEM
1	1	1	1	BERYLLIUM COPPER ③	SOCKET	3
1	1	1	1	PTFE	INSULATOR	2
1	1	1	1	BRASS ④	BODY	1

THIS DRAWING IS A CONTROLLED DOCUMENT.		DWN J.SANDWELL 12NOV03	TE Connectivity			
DIMENSIONS: mm		CHK S.PARLOW 12NOV03				
TOLERANCES UNLESS OTHERWISE SPECIFIED:		APVD F.WHEELER-KING 12NOV03	NAME			
0 PLC ± - 1 PLC ± 0.3 2 PLC ± 0.2 3 PLC ± 0.1 4 PLC ± - ANGLES ± -		PRODUCT SPEC	MMCX STRAIGHT PCB MOUNT SOCKET RECEPTACLE			
MATERIAL SEE TABLE		FINISH SEE TABLE	50 OHMS			
SEE TABLE		SEE TABLE	SIZE	CAGE CODE	DRAWING NO	RESTRICTED TO
CUSTOMER DRAWING		WEIGHT 0.000000	A3	00779	C-1634009	-
		SCALE NTS	SHEET 1 OF 1	REV D1		