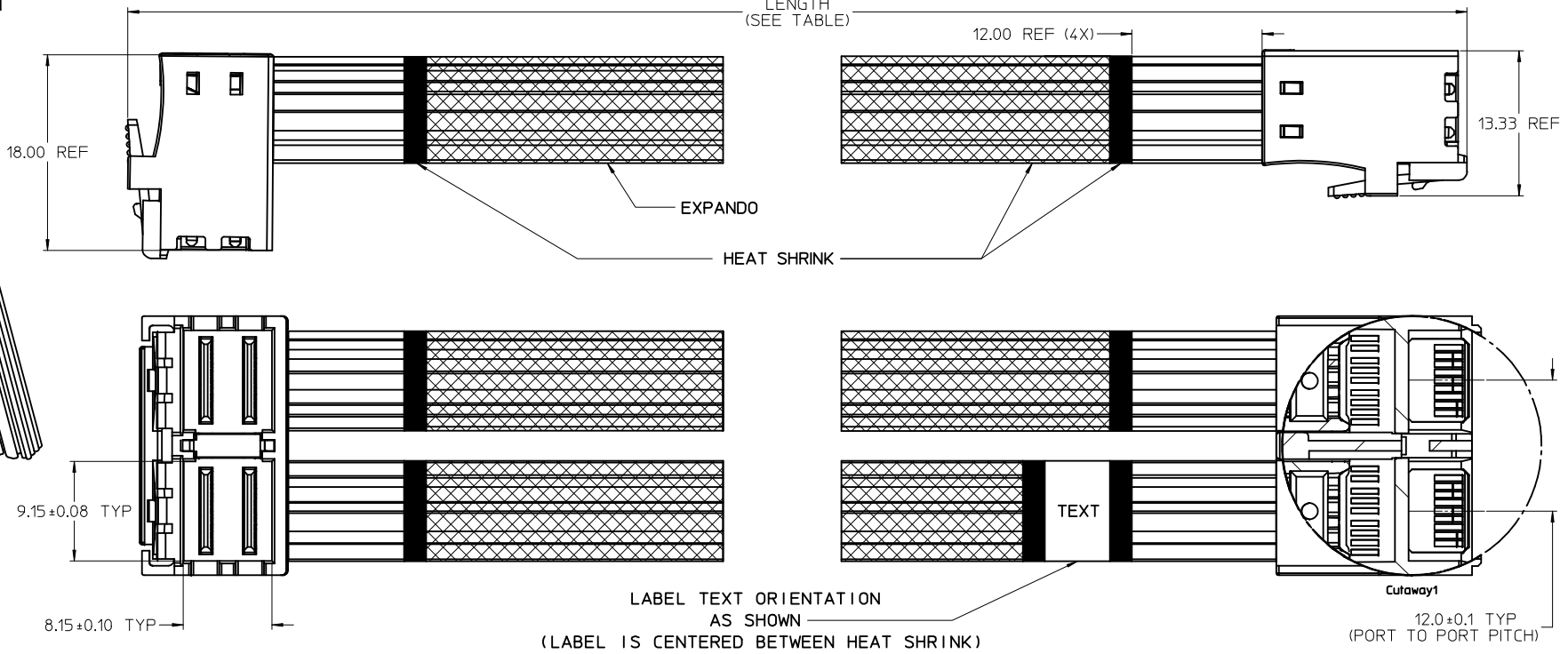
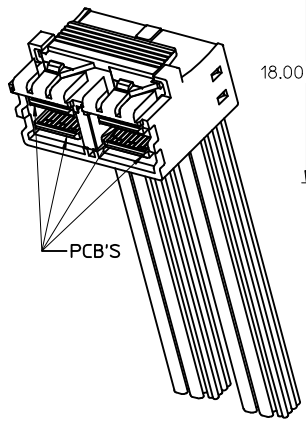


TM-100172-0100



LABEL TEXT ORIENTATION AS SHOWN
(LABEL IS CENTERED BETWEEN HEAT SHRINK)

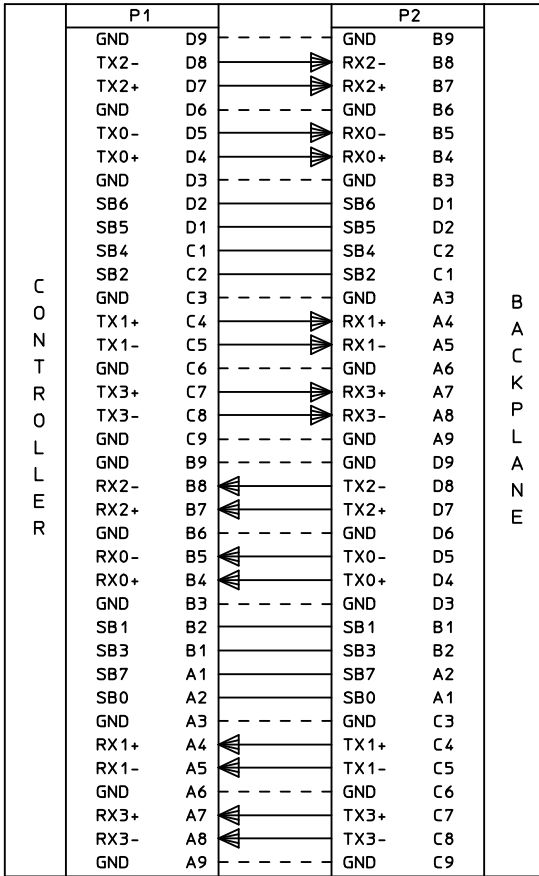
12.0±0.1 TYP
(PORT TO PORT PITCH)

MOLEX P/N	LENGTH (M)	LENGTH TOLERANCE (mm)	AWG	DESCRIPTION	PINOUT
1001720100	0.152	±10	30	CTRL TO BP	1
1001720101	0.300	±10	30	CTRL TO BP	1
1001720102	0.500	±10	30	CTRL TO BP	1
1001720103	0.600	±10	30	CTRL TO BP	1
1001720104	1.000	±15	30	CTRL TO BP	1
1001720200	0.152	±10	30	CTRL TO CTRL	2
1001720201	0.300	±10	30	CTRL TO CTRL	2
1001720202	0.500	±10	30	CTRL TO CTRL	2
1001720203	0.600	±10	30	CTRL TO CTRL	2
1001720204	1.000	±15	30	CTRL TO CTRL	2

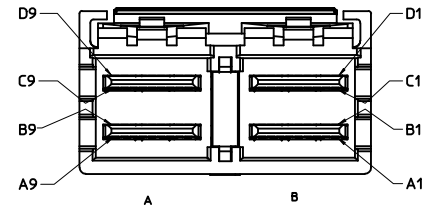
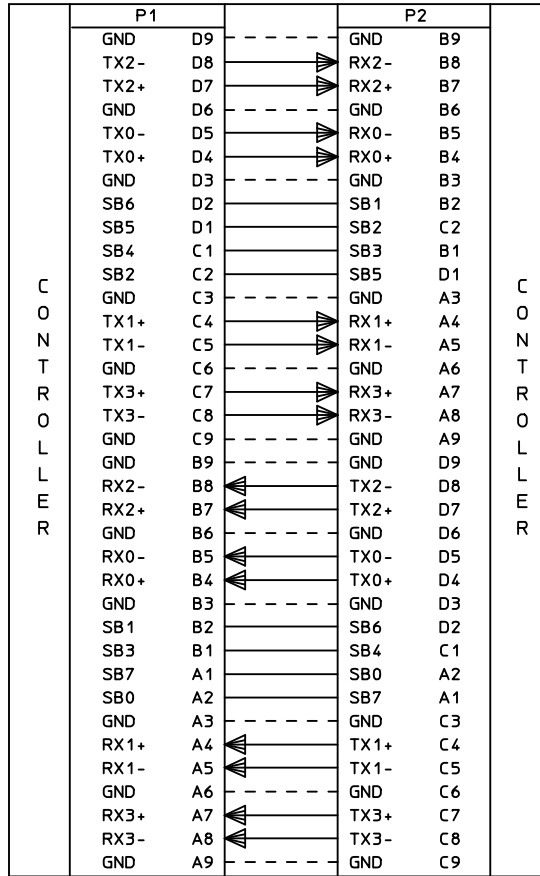
- NOTES:
- MATERIAL:
HOUSING - NYLON UL94 V-0
LATCH - MOLDED INTO HOUSING
CABLE:
TWIN-AX SHIELD: ALUMINIZED POLYESTER FOIL
INNER DIELECTRIC: FEP
SIGNAL AND DRAIN: SOLID COPPER
PCB - FR4 (HALOGEN FREE)
 - THIS PRODUCT CONFORMS TO THE MECHANICAL DIMENSIONING OF SFF-8643 AND ELECTRICAL PERFORMANCE REQUIREMENTS OF SAS 3.0.
 - RoHS COMPLIANT, NO EXEMPTIONS.

REMOVE LABEL EC No: CPG2015-1686 DRAWN BY: PSYTSMA CHKD BY: HJLDMN APPR: CHIRSCHY	QUALITY SYMBOLS ▽=0 ▽=0 ▽=0	GENERAL TOLERANCES (UNLESS SPECIFIED)		DIMENSION STYLE MM ONLY		SCALE 5:1	DESIGN UNITS METRIC	THIRD ANGLE PROJECTION
		4 PLACES ±--- ±---	3 PLACES ±--- ±---	2 PLACES ±0.13 ±---	1 PLACE ±0.25 ±---	0 PLACE ±--- ±---	ANGULAR ±1/2° DRAFT WHERE APPLICABLE MUST REMAIN WITHIN DIMENSIONS	DRAWN BY: EMEDINA CHECKED BY: PSYTSMA APPROVED BY: CHIRSCHY DATE: 2013/06/10 DATE: 2013/06/24 DATE: 2014/04/24
MATERIAL NO. SEE P/N TABLE		DOCUMENT NO. SD-100172-0100		SHEET NO. 1 OF 3		THIS DRAWING CONTAINS INFORMATION THAT IS PROPRIETARY TO MOLEX INCORPORATED AND SHOULD NOT BE USED WITHOUT WRITTEN PERMISSION		

PINOUT 1



PINOUT 2

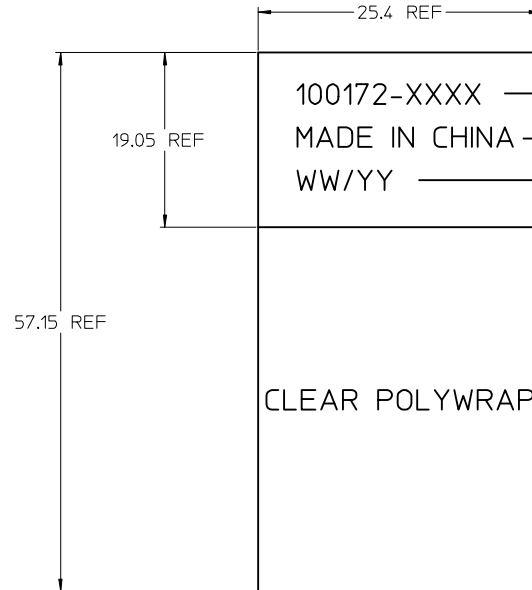


---- = THRU LINES
 ----> = TRANSMIT TO RECEIVE ON HIGH SPEED CIRCUITS

NOTE:
 THESE PINOUTS ARE DUPLICATED FOR BOTH PORTS.

REMOVE LABEL EC NO: CPG2015-1686 DRAWN BY: PSYTSMA 2014/07/01 CHECKED BY: CHYKHSOLOMON 2014/10/08 APPR: CHIRSCY 2014/10/11 REV DESCRIPTION	QUALITY SYMBOLS	GENERAL TOLERANCES (UNLESS SPECIFIED)	DIMENSION STYLE	SCALE	DESIGN UNITS	THIRD ANGLE PROJECTION
	▽=0	4 PLACES ± mm ± INCH	MM ONLY	1:1	METRIC	
	▽=0	3 PLACES ± 0.13 ± ---				
	▽=0	1 PLACE ± 0.25 ± ---				
		ANGULAR ±1/2°				
		DRAFT WHERE APPLICABLE MUST REMAIN WITHIN DIMENSIONS	SEE SHEET 1			
			MATERIAL NO. DOCUMENT NO.		TITLE	
			SD-100172-0100		8X INTERNAL HD SHORT BODY RIGHT ANGLE DOWN CABLE ASSEMBLY	
			SHEET NO. 2 OF 3		molex	
			THIS DRAWING CONTAINS INFORMATION THAT IS PROPRIETARY TO MOLEX INCORPORATED AND SHOULD NOT BE USED WITHOUT WRITTEN PERMISSION			

LABEL DETAIL



100172-XXXX
 MADE IN CHINA
 WW/YY

MOLEX PART NUMBER (SEE P/N TABLE)
 MANUFACTURING LOCATION
 MANUFACTURING DATE:
 WW: WEEK OF THE YEAR (0-52)
 YY: LAST TWO DIGITS OF THE YEAR

REMOVE LABEL IEC NO: CPG2015-1686 DRAWN BY: PSYTSMA 2014/07/01 CHECKED BY: CHYKH/SOLOMON 2014/10/08 APPR: CHIRSCHY 2014/10/11	QUALITY SYMBOLS	GENERAL TOLERANCES (UNLESS SPECIFIED)	DIMENSION STYLE	SCALE	DESIGN UNITS	THIRD ANGLE PROJECTION
	▽=0	mm INCH	MM ONLY		METRIC	
	▽=0	4 PLACES ± --- ± ---	DRAWN BY DATE	TITLE		
	▽=0	3 PLACES ± --- ± ---	EMEDINA 2013/06/10	8X INTERNAL HD SHORT BODY RIGHT ANGLE DOWN CABLE ASSEMBLY		
	2 PLACES ± 0.13 ± ---	CHECKED BY DATE	PSYTSMA 2013/06/24			molex MATERIAL NO. SEE SHEET 1 DOCUMENT NO. SD-100172-0100 SHEET NO. 3 OF 3
	1 PLACE ± 0.25 ± ---	APPROVED BY DATE	CHIRSCHY 2014/04/24			
	0 PLACE ± --- ± ---	ANGULAR ±1/2°	DRAFT WHERE APPLICABLE MUST REMAIN WITHIN DIMENSIONS			