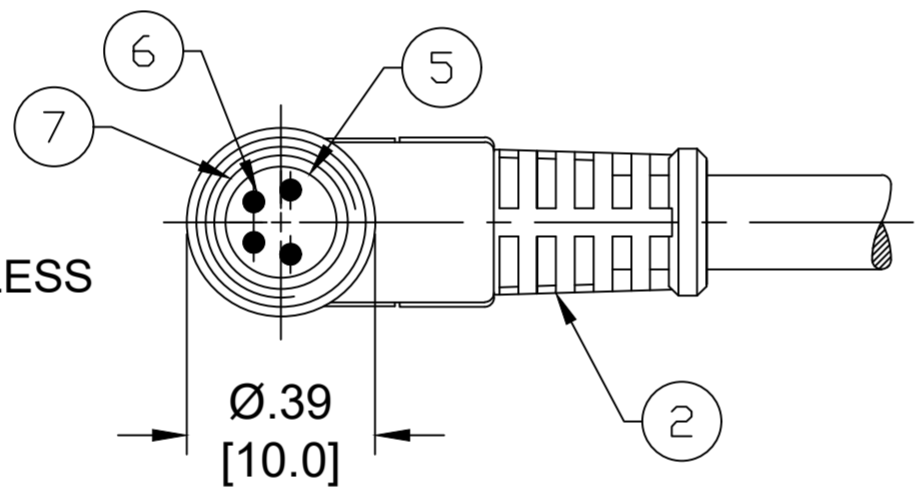
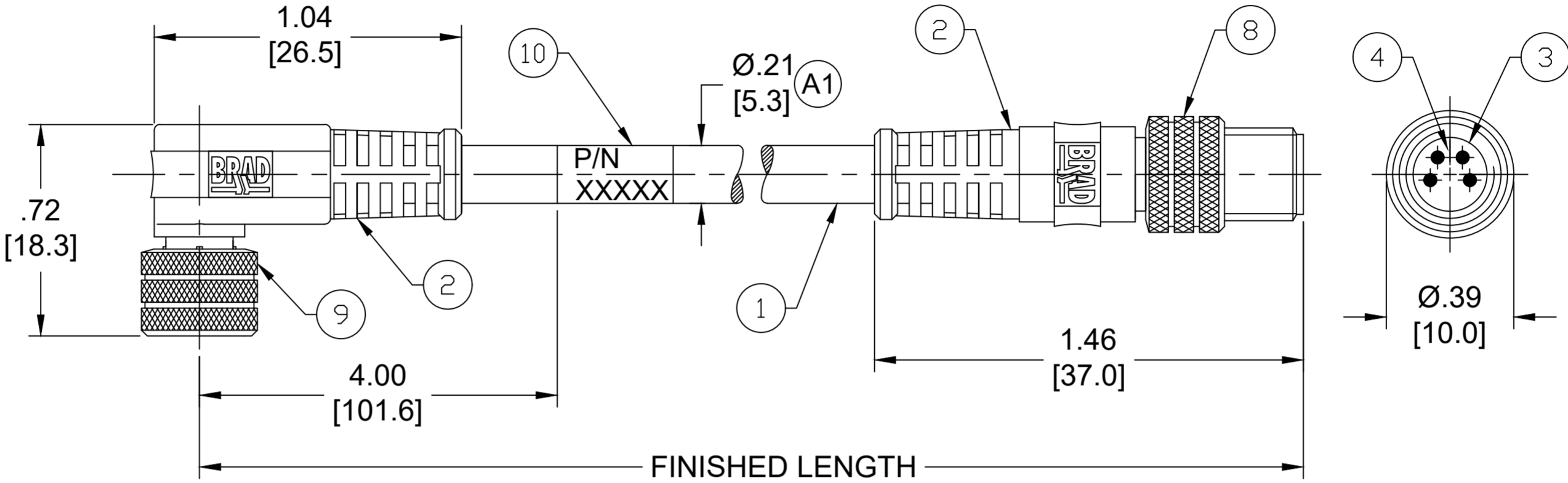
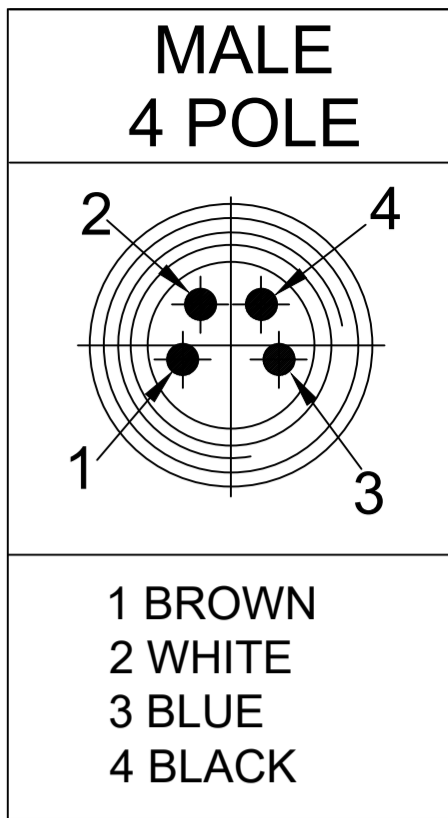


MATERIAL NUMBER	ENGINEERING NUMBER	FINISHED LENGTH
1200868549	444031K05M006	.6M [2 FT]
1200868550	444031K05M010	1M [3 FT 3 IN]
1200868551	444031K05M020	2M [6 FT 7 IN]
1200868552	444031K05M050	5M [16 FT 5 IN]



- NOTES:**
- MATERIAL: AS NOTED
  - FINISH: AS NOTED
  - ELECTRICAL:  
VOLTAGE : 60VAC/75VDC  
CURRENT: 4A
  - TEMP RATING: -20° TO +105°C (A1)
  - PROTECTION: IP67 (WHEN MATED)
  - COUPLING THREAD: M8X1
  - UL LISTED FILE: E152210
  - ALL DIMENSIONS ARE FOR REFERENCE UNLESS TOLERANCED OR NOTED OTHERWISE

**MECHANICAL CHARACTERISTICS: (A1)**

TORSIONAL FLEX TEST	10 MILLION CYCLES PER MIL-C-13777G
BEND FLEX TEST	10 MILLION CYCLES PER MIL-C-13777G
WELD SLAG RESISTANCE	WOODHEAD STANDARD S-300

ITEM	COMPONENT	MATERIAL	FINISH
10	WRAP LABEL	VINYL	BLACK/YELLOW
9	FEMALE COUPLING NUT	BRASS	NICKEL PLATED
8	MALE COUPLING NUT	BRASS	NICKEL PLATED
7	O-RING	VITON	RED
6	CONTACT SOCKET	COPPER ALLOY	GOLD OVER NICKEL
5	FEMALE INSERT	PUR	BLACK
4	CONTACT PIN	COPPER ALLOY	GOLD OVER NICKEL
3	MALE INSERT	PUR	BLACK
2	OVERMOLD	TPC	YELLOW
1	CABLE, #22-4, ITC/PLTC	TPE	YELLOW

**PART NUMBER LEGEND  
444031K05M006**

**LENGTH**  
M001 = .6 METER  
M010 = 1 METER  
M100 = 10 METER

**(A1) CABLE LENGTH TOLERANCES**

<.3M [1FT]:	+19mm-0 [ +.75in-0]
.3 - .9M [1 - 3FT]:	+44.5mm-0 [+1.75in-0]
.9 - 1.8M [3 - 6FT]:	+55.6mm-0 [+2.19in-0]
1.8 - 3.7M [6 - 12FT]:	+88.9mm-0 [+3.50in-0]
3.7 - 7.3M [12 - 24FT]:	+165.1mm-0 [+6.50in-0]
7.3-14.6M [24 - 48FT]:	+317.5mm-0 [+12.50in-0]
14.6 - 30.5M [48-100FT]:	+622.3mm-0 [+24.50in-0]
OVER 30M [100FT]:	+2% OF FINISHED LENGTH

<b>FUNCTIONAL SYMBOLS</b> FA=0 EC=0 EP=0 <b>DIVISIONAL SYMBOLS</b>	THIS DRAWING CONTAINS INFORMATION THAT IS PROPRIETARY TO MOLEX ELECTRONIC TECHNOLOGIES, LLC AND SHOULD NOT BE USED WITHOUT WRITTEN PERMISSION		CURRENT REV DESC: ITEM-10 WAS MYLAR. ADDED CABLE DIA & MECHANICAL CHARACTERISTICS CHART. MODIFIED TEMP RATING & PN CHART. REMOVED CSA	
	<b>DIMENSION UNITS</b> INCH/MM <b>SCALE</b> NTS		EC NO: 702709 DRWN: ABENJAMINLW 2021/10/26 CHK'D: RSTONE 2022/04/11 APPR: BWOODMAN 2022/04/16	
	<b>GENERAL TOLERANCES (UNLESS SPECIFIED)</b>		<b>INITIAL REVISION:</b> DRWN: GGUSTAFS 2013/10/11 APPR: BWOODMAN 2013/11/12	
	4 PLACES ±--- ±--- 3 PLACES ±--- ±--- 2 PLACES ±--- ±--- 1 PLACE ±--- ±--- 0 PLACES ±--- ±--- ANGULAR TOL ± --- °		THIRD ANGLE PROJECTION DRAWING C-SIZE SERIES 120086 MATERIAL NUMBER SEE CHART CUSTOMER GENERAL MARKET SHEET NUMBER 1 OF 1	



NANO CHANGE CORDSET, M8  
4 POLE, FEMALE 90DEG - MALE STRAIGHT,  
#22 AWG TPE HI-FLEX

PRODUCT CUSTOMER DRAWING

DOCUMENT NUMBER: SD-120086-056  
DOC TYPE/DOC PART/REVISION: PSD 001 A1