

THIS DRAWING IS UNPUBLISHED. RELEASED FOR PUBLICATION
 © COPYRIGHT BY TYCO ELECTRONICS CORPORATION. ALL RIGHTS RESERVED.

LOC		DIST		REVISIONS			
P	LTR	DESCRIPTION		DATE	DWN	APVD	
FT	0	C		REVISED PER 0G3B-0238-05	3/15/05	SS	CR

SPECIFICATIONS:

1-1. MATERIAL

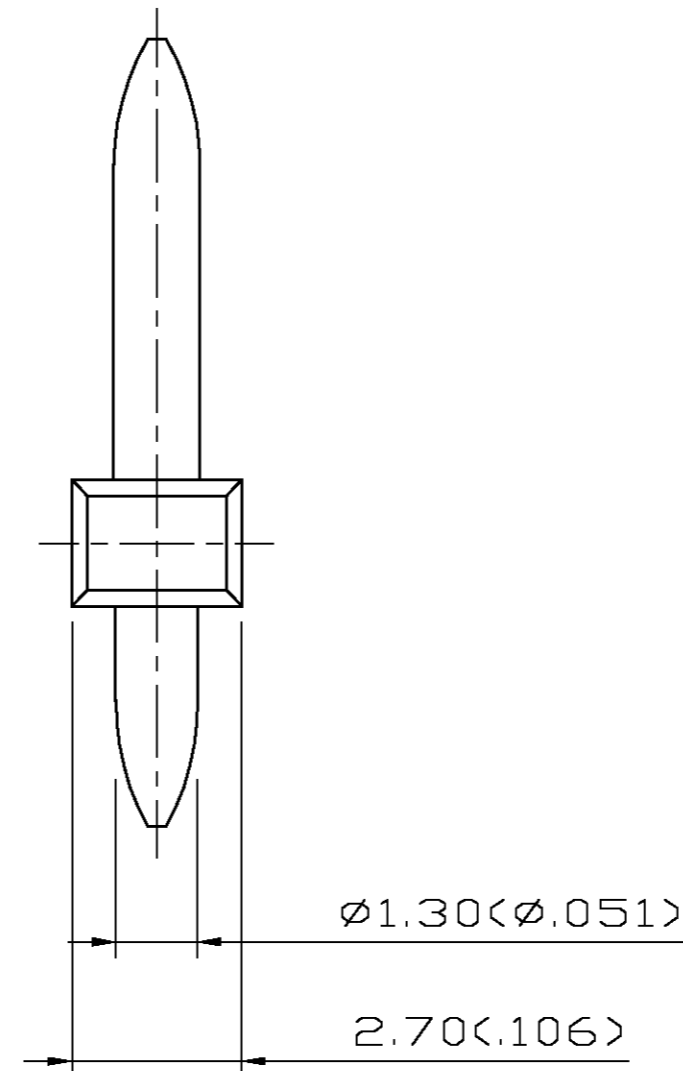
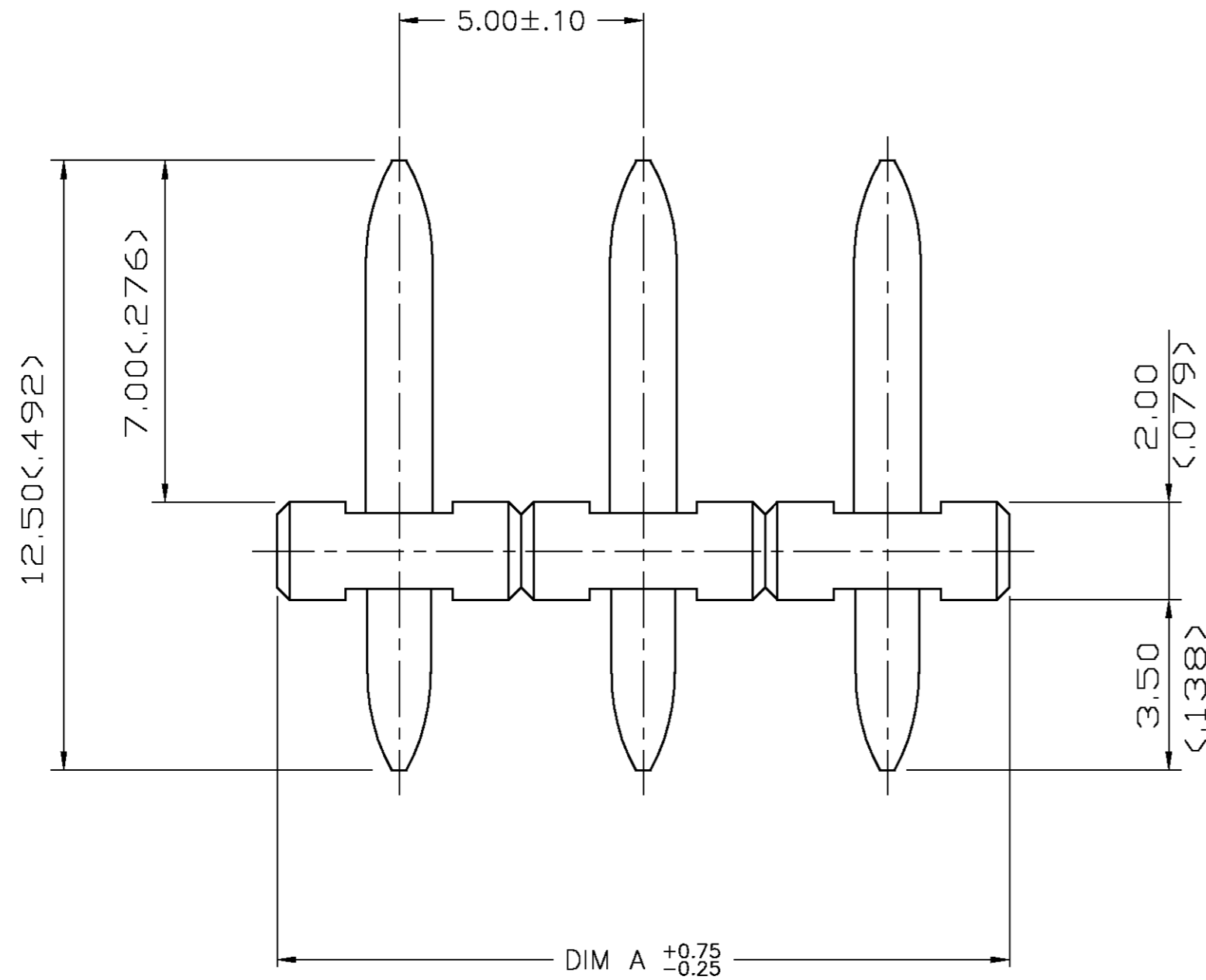
- 1-1-1. PINS: BRASS, NICKEL AND TIN PLATED.
- 1-1-2. INSULATOR BODY: GLASS FILLED POLYESTER. (STRIP ONLY)(COLOR BLACK)

1-2. ELECTRICAL:

- 1-2-1. CURRENT RATING: 10 AMPS/WAY MAX.
- 1-2-2. WITHSTANDING VOLTAGE: 1500 VAC/MIN
TEST TIME=60 SEC/1PC
- 1-2-3/ INSULATION RESISTANCE: 5000MΩ /1000V

1-3. MECHANICAL:

- 1-3-1. CONTACT RETENTION FORCE: 3 KG/CM (MIN).
- 1-3-2. OPERATING TEMPERATURE: -55°C TO +105°C.
- 1-3-3. SOLDERABILITY: 95% COVERAGE (MIN)
TEST TEMPERATURE= 230°C±10°C
TEST TIME= 3SEC ± 0.5SEC.



120.00(4.724)	24	2-1546178-4
115.00(4.528)	23	2-1546178-3
110.00(4.331)	22	2-1546178-2
105.00(4.134)	21	2-1546178-1
100.00(3.937)	20	2-1546178-0
95.00(3.740)	19	1-1546178-9
90.00(3.543)	18	1-1546178-8
85.00(3.346)	17	1-15461786-7
80.00(3.150)	16	1-1546178-6
75.00(2.953)	15	1-15461786-5
70.00(2.756)	14	1-1546178-4
65.00(2.559)	13	1-1546178-3
60.0(2.362)	12	1-1546178-2
55.00(2.165)	11	1-1546178-1
50.00(1.969)	10	1-1546178-0
45.00(1.772)	9	1546178-9
40.00(1.575)	8	1546178-8
35.00(1.378)	7	1546178-7
30.00(1.181)	6	1546178-6
25.00(0.984)	5	1546178-5
20.00(0.787)	4	1546178-4
15.00(0.591)	3	1546178-3
10.00(0.394)	2	1546178-2
DIM A	NO. OF POSN	PART NUMBER

THIS DRAWING IS A CONTROLLED DOCUMENT.		DWN S SCHLEGEL 18JUN02	BUCHANAN Tyco Electronics Corporation Harrisburg, PA 17105	
DIMENSIONS: MM		CHK D.A. BIEVENOUR 6/18/02		
TOLERANCES UNLESS OTHERWISE SPECIFIED:		APVD D.A. BIEVENOUR 6/18/02	NAME	
0 PLC ± -		PRODUCT SPEC	HEADER, STRAIGHT, UNSHROUDED	
1 PLC ± 0.3		APPLICATION SPEC	5.0MM PITCH	
2 PLC ± 0.25		WEIGHT	SIZE A2	CAGE CODE 00779
3 PLC ± -		CUSTOMER DRAWING	DRAWING NO C=1546178-2	RESTRICTED TO
4 PLC ± -			SCALE 5:1	SHEET 1 OF 1
ANGLES ± -				REV C
FINISH				