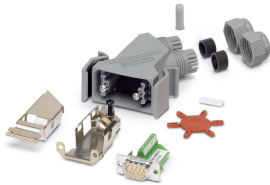



D-SUB connector - VS-09-IBS-ST - 1689271

Please be informed that the data shown in this PDF Document is generated from our Online Catalog. Please find the complete data in the user's documentation. Our General Terms of Use for Downloads are valid (<http://phoenixcontact.com/download>)

D-SUB complete connector, for INTERBUS, shell size 1, pin, screw connection, shielded, connection direction straight, IP67 degree of protection



Key Commercial Data

Packing unit	1 pc
GTIN	 4 017918 892746
GTIN	4017918892746

Technical data

Mechanical characteristics

Connection method	Screw connection
Minimum external conductor diameter	5 mm
Maximum external conductor diameter	9 mm
Overvoltage category	II
AWG solid min.	26
AWG solid max.	20
Degree of pollution	2
Cable outlet	Angled
No. of cable outlets	2
Conductor cross section	0.14 mm ² ... 0.5 mm ²
Weight	91.9 g
Flammability rating according to UL 94	V0

Ambient conditions

Ambient temperature (operation)	-20 °C ... 70 °C
---------------------------------	------------------

Material data

Contact surface material	Gold over nickel
--------------------------	------------------

D-SUB connector - VS-09-IBS-ST - 1689271

Technical data

Material data

Contact material	Copper alloy
Contact carrier material	PBTP
Housing material	PA

Electrical characteristics

Number of positions	9
Rated current	1 A
Overvoltage category	II
Degree of pollution	2
Rated voltage (III/3)	63 V

Standards and Regulations

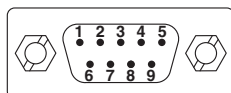
Flammability rating according to UL 94	V0
--	----

Environmental Product Compliance

REACH SVHC	Lead 7439-92-1
China RoHS	Environmentally Friendly Use Period = 50 years
	For details about hazardous substances go to tab "Downloads", Category "Manufacturer's declaration"

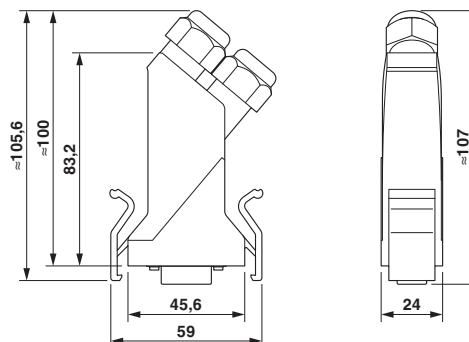
Drawings

Schematic diagram



9-pos. D-SUB male plug

Dimensional drawing



D-SUB connector

Classifications

eCl@ss

eCl@ss 10.0.1	27440302
eCl@ss 11.0	27440302
eCl@ss 4.0	27260700
eCl@ss 4.1	27260700
eCl@ss 5.0	27260700

D-SUB connector - VS-09-IBS-ST - 1689271

Classifications

eCl@ss

eCl@ss 5.1	27261200
eCl@ss 6.0	27261200
eCl@ss 7.0	27440302
eCl@ss 9.0	27440302

ETIM

ETIM 2.0	EC000437
ETIM 3.0	EC000437
ETIM 4.0	EC000437
ETIM 6.0	EC001132
ETIM 7.0	EC001132

UNSPSC

UNSPSC 6.01	31261501
UNSPSC 7.0901	31261501
UNSPSC 11	31261501
UNSPSC 12.01	31261501
UNSPSC 13.2	39121522
UNSPSC 18.0	39121522
UNSPSC 19.0	39121522
UNSPSC 20.0	39121522
UNSPSC 21.0	39121522

Approvals

Approvals

Approvals

EAC

Ex Approvals

Approval details

EAC		B.01687
-----	--	---------

Accessories

Accessories

D-SUB connector - VS-09-IBS-ST - 1689271

Accessories

Protective cover

D-SUB protective cover - VS-09-SD - 1887086

D-SUB protective cover, material: PA, size of housing: 1, color: gray



Phoenix Contact 2021 © - all rights reserved
<http://www.phoenixcontact.com>

PHOENIX CONTACT GmbH & Co. KG
Flachsmarktstr. 8
32825 Blomberg
Germany
Tel. +49 5235 300
Fax +49 5235 3 41200
<http://www.phoenixcontact.com>