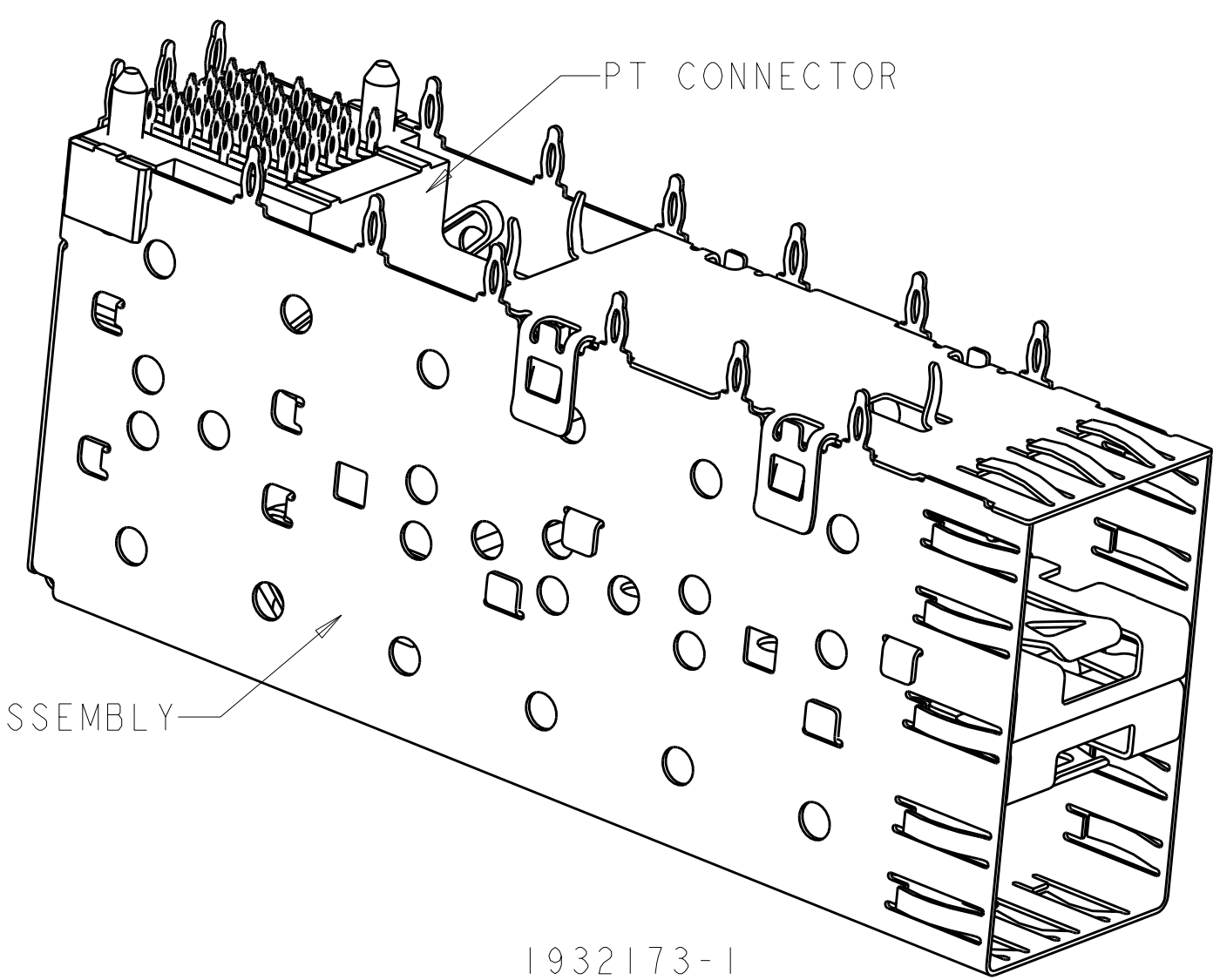
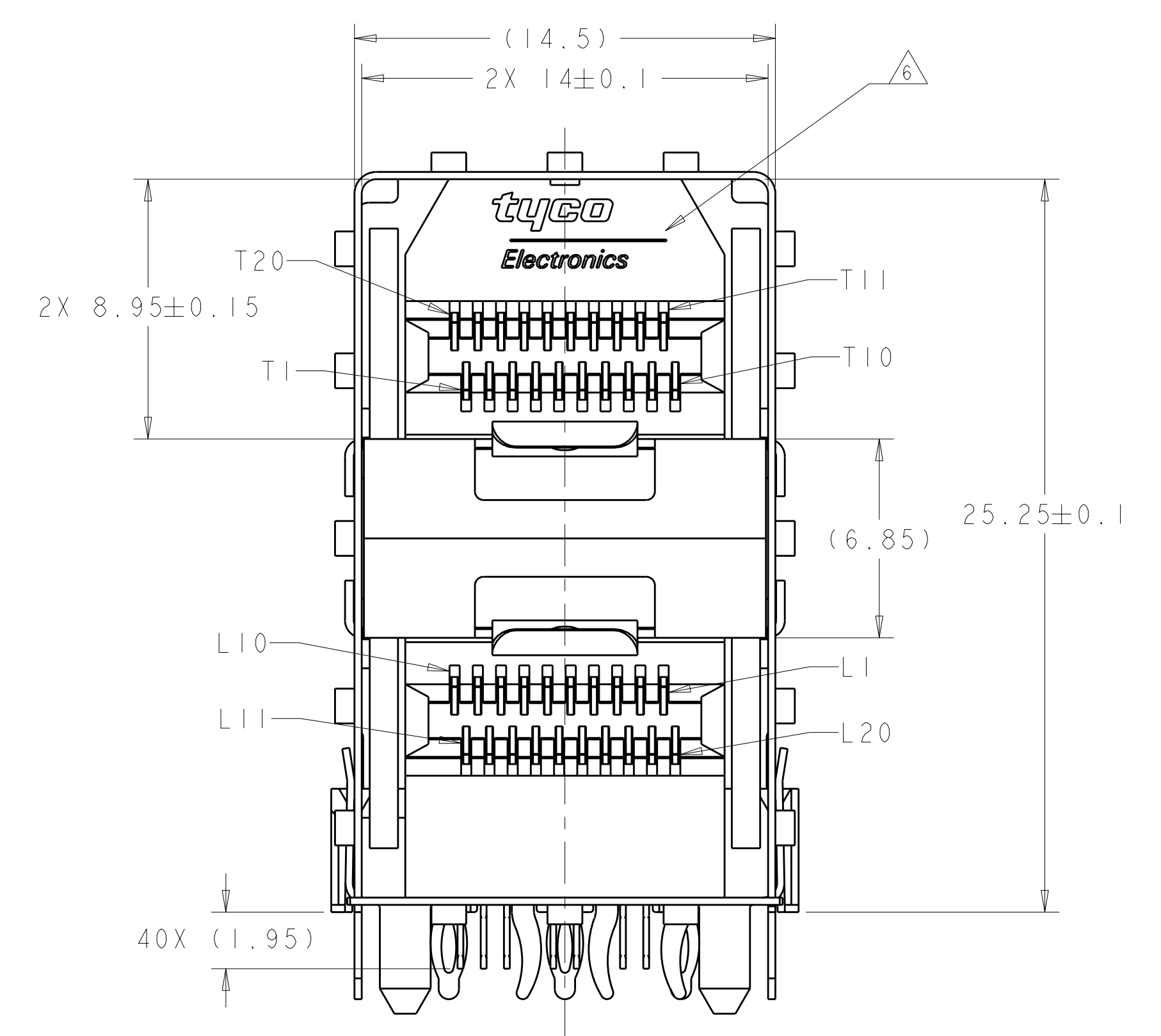
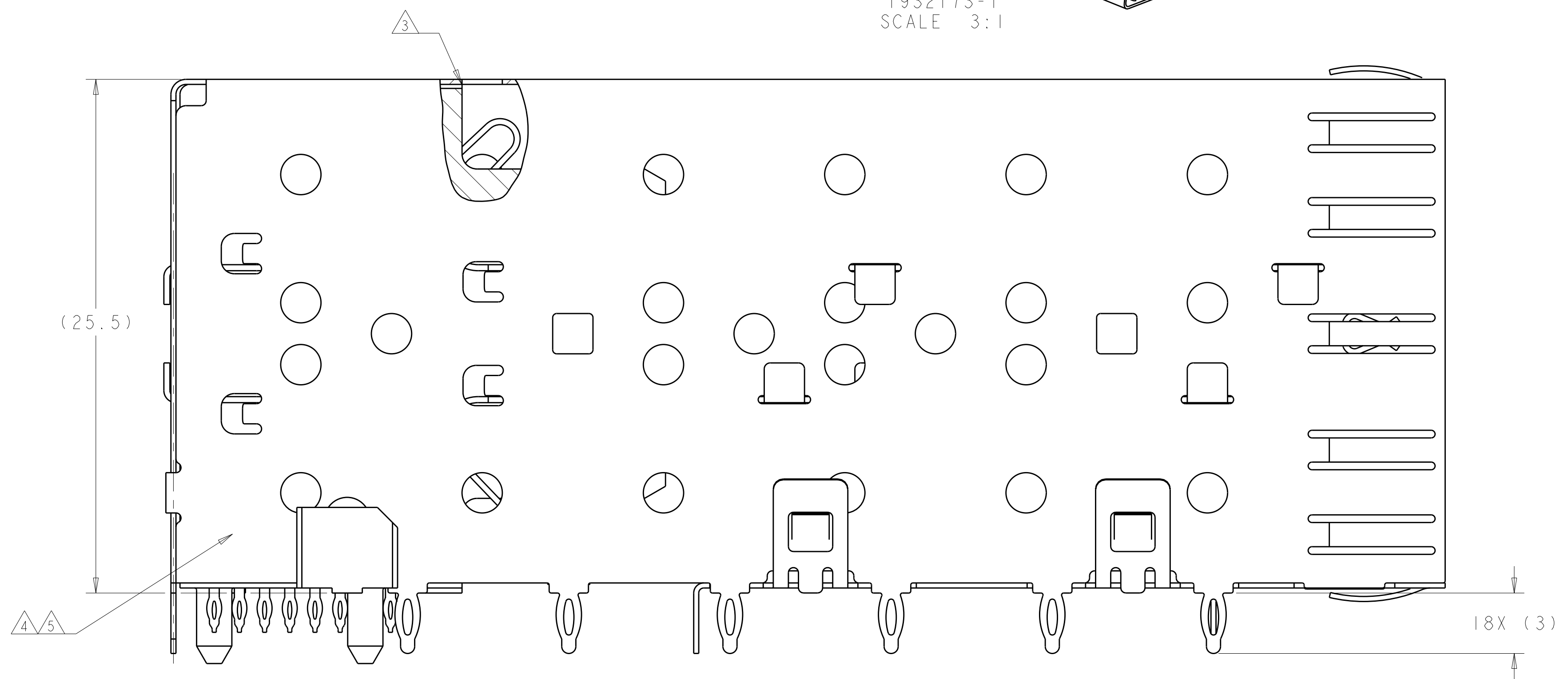


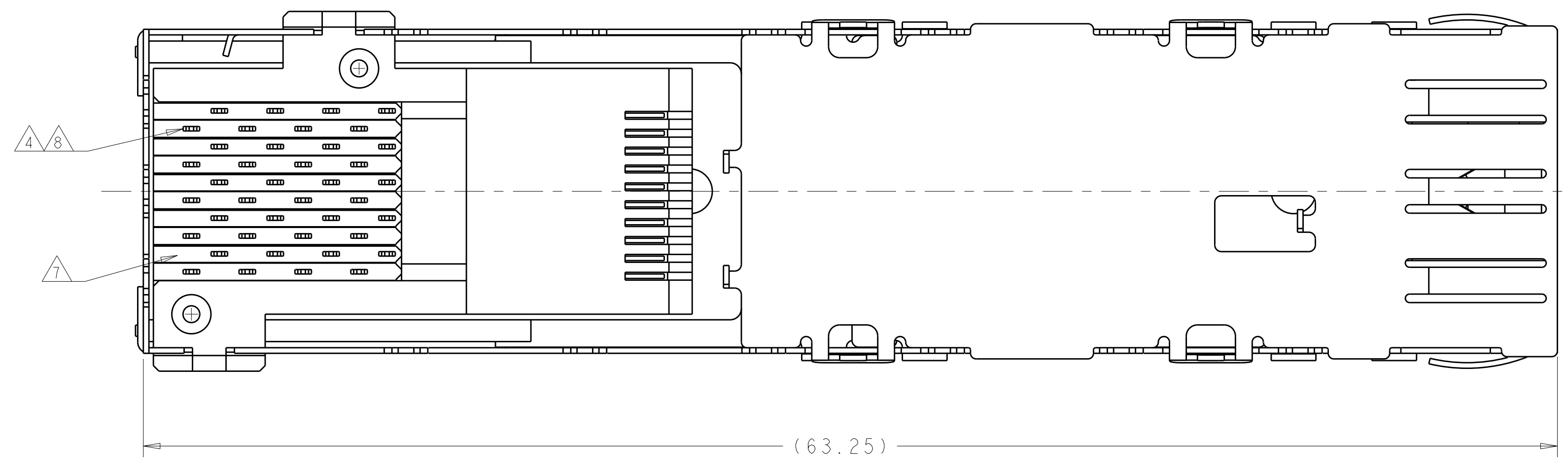
LOC	DIST	REVISIONS					
ES	00	P	LTN	DESCRIPTION	DATE	DWN	APVD
		A		ECR-08-025165	07OCT2008	A.L	S.Y
		A1		ECR-08-025337	12OCT2008	A.L	S.Y



1932173-1
 SCALE 3:1



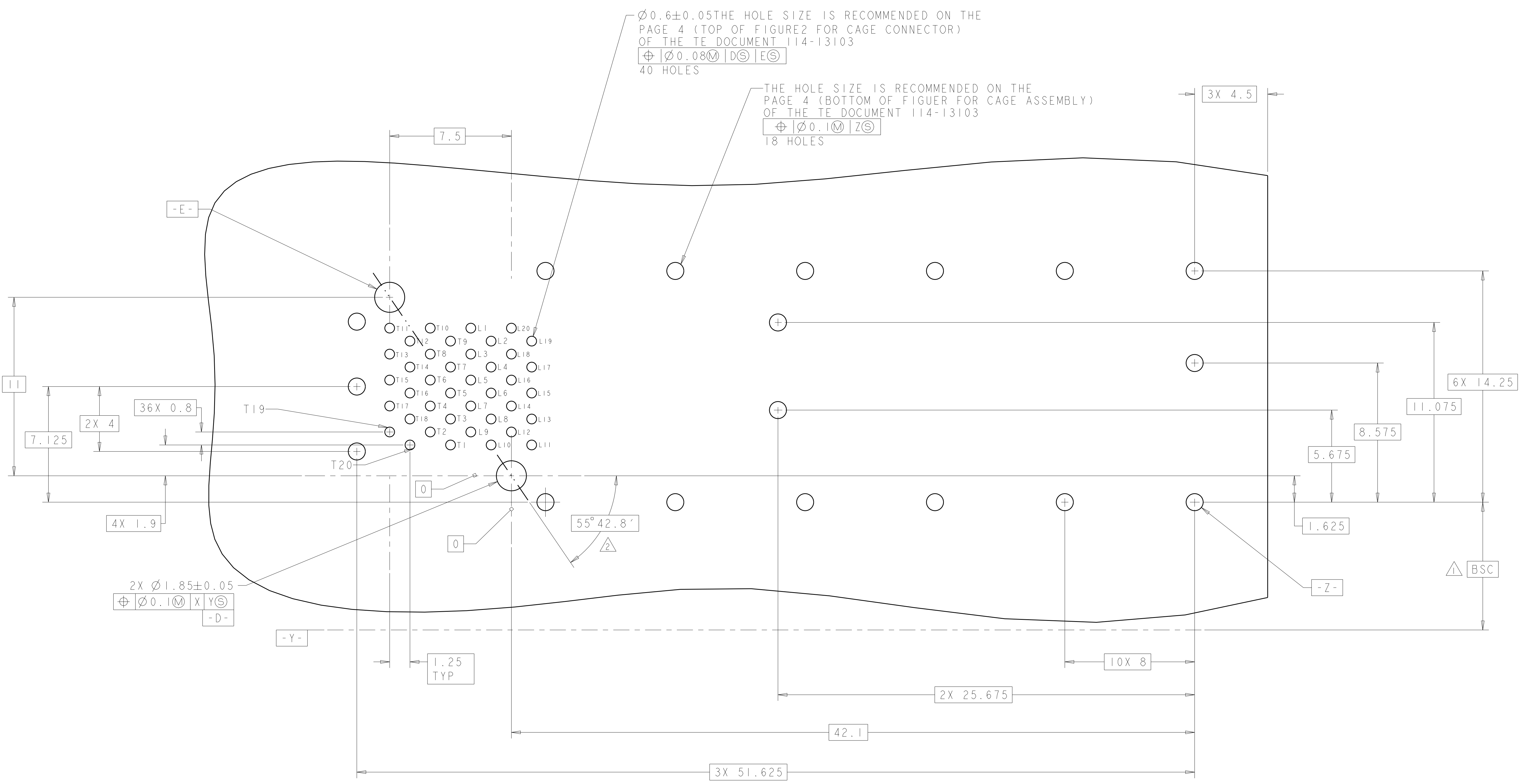
- △ DATUM AND BASIC DIMENSION TO BE DETERMINED BY CUSTOMER.
- △ INTERPRETATION OF DATUM REFERENCE FRAME IN ACCORDANCE WITH SECT 4.4.1.1 OF ASME Y14.5M-1994.
- △ TOP OF PT CONNECTOR TO BE 0-0.15 FROM INSIDE SURFACE OF CAGE.
- △ COPPER ALLOY.
- △ 1.25µm MIN TIN PER ASTM B 545 OVER NICKEL FLASH PER QQ-N-290. NON-PLATED EDGES PERMISSIBLE.
- △ LCP, HIGH TEMPERATURE, UL 94V-0 RATED, BLACK.
- △ POLYESTER, UL 94V-0 RATED, BLACK.
- △ CONTACT MATING AREA: SURFACE TREATMENT OVER 0.76µm MIN GOLD PER ASTM B 488 OVER 1.27µm MIN NICKEL PER QQ-N-290. NEEDLE EYE: 1.25µm MIN TIN PER ASTM B 545 OVER 1.27µm MIN NICKEL PER QQ-N-290. REMAINDER OF CONTACT: 0.76µm MIN NICKEL PER QQ-N-290.



1932173-1
 PART NUMBER

DIMENSIONS: mm 9 PLC ± 1 PLC ±0.1 5 PLC ± 4 PLC ± ANGLES ± FINISH		TOLERANCES UNLESS OTHERWISE SPECIFIED: 9 PLC ± 1 PLC ±0.1 5 PLC ± 4 PLC ± ANGLES ± FINISH		DWN ADAMS LV 23SEP2008 CHK MARTIN LI 23SEP2008 APVD STEVEN YAO 23SEP2008 PRODUCT SPEC 108-2161 APPLICATION SPEC 114-13103 WEIGHT CUSTOMER DRAWING		Tyco Electronics Corporation Shanghai, P.R.C. 200233 NAME CAGE AND PT CONNECTOR ASSEMBLY, 2x1, PRESS FIT, STANDARD PROFILE, SFP SIZE CAGE CODE DRAWING NO 00779 C=1932173 RESTRICTED TO	
SCALE 2:1 SHEET 1 OF 3 REV A1				AMP 4805 REV 31MAR2000 Pro/ENGINEER DRAWING			

LOC	DIST	REV	DATE	BY	APPD
ES	00				
		DESCRIPTION		DATE	BY
		SEE SHEET 1			



Ø0.6±0.05 THE HOLE SIZE IS RECOMMENDED ON THE PAGE 4 (TOP OF FIGURE 2 FOR CAGE CONNECTOR) OF THE TE DOCUMENT 114-13103
 ⊕ Ø0.08 M | D S | E S
 40 HOLES

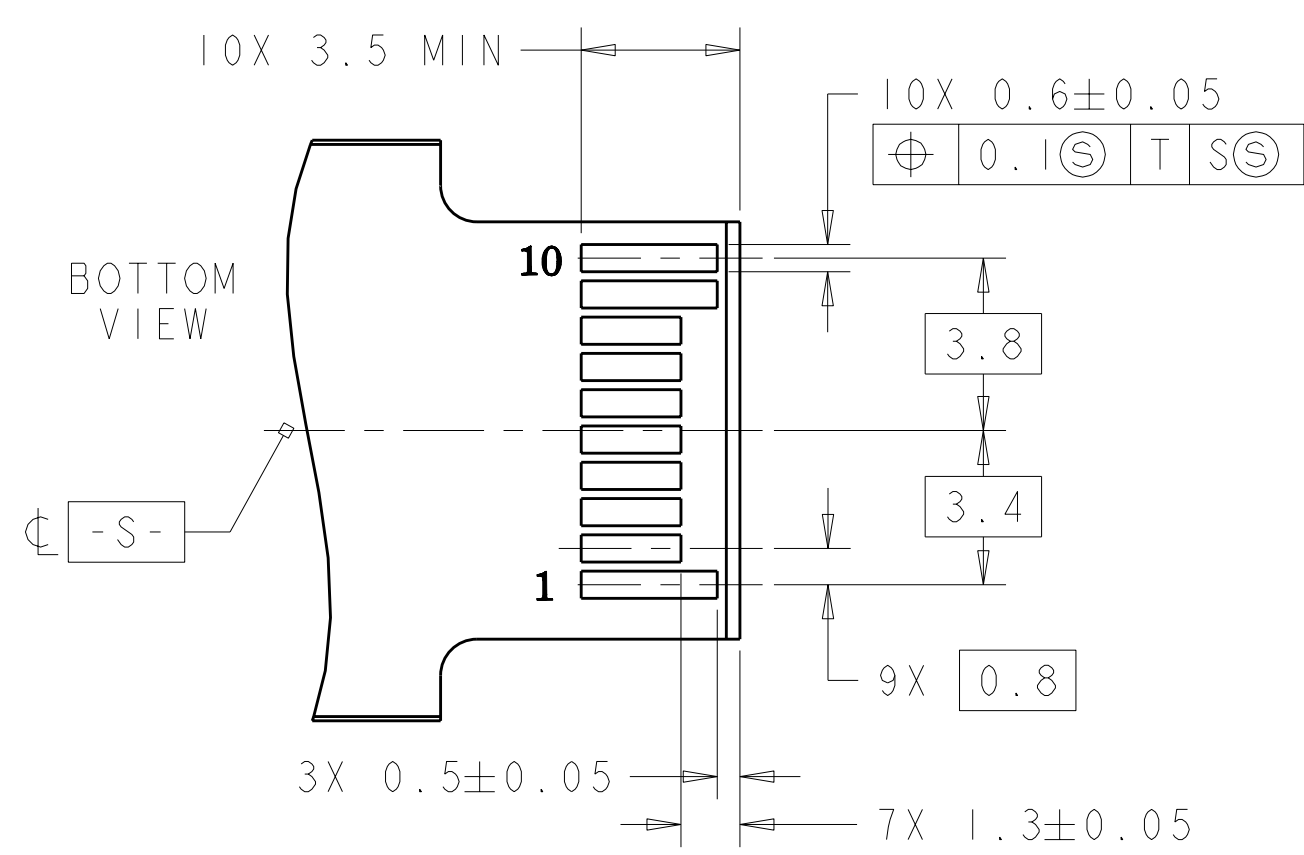
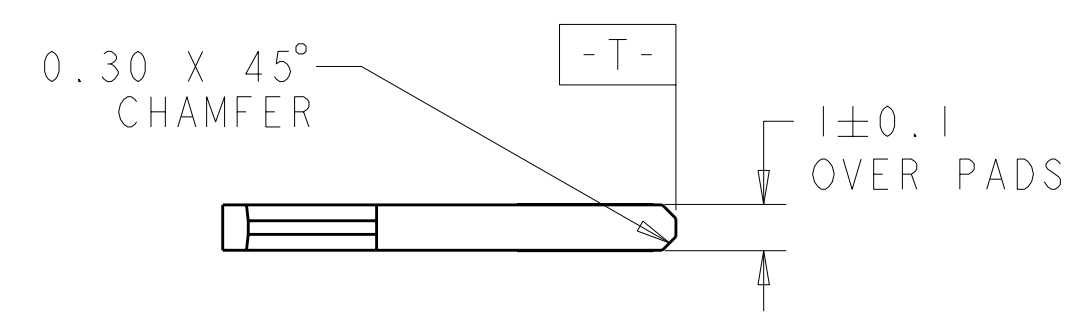
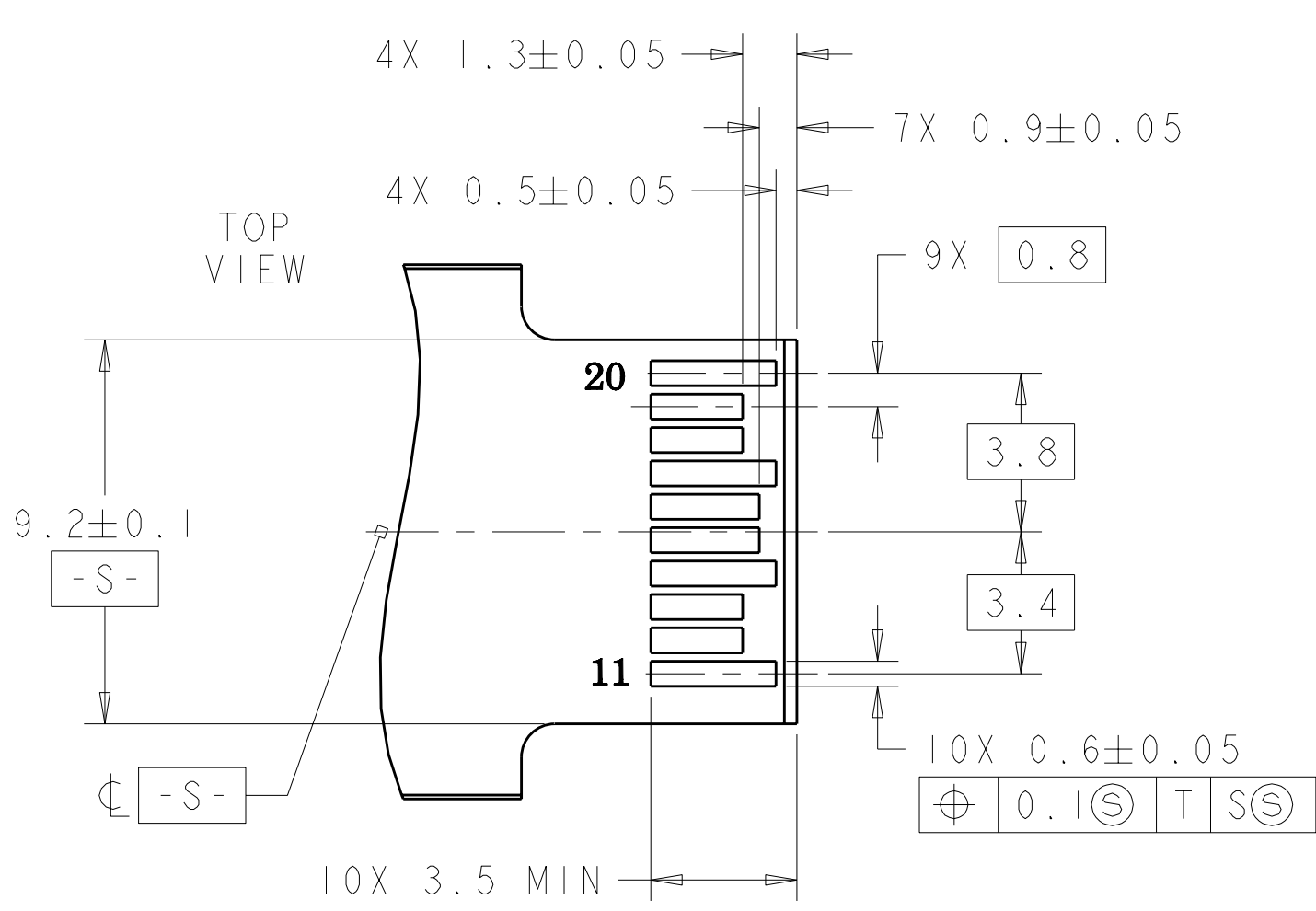
THE HOLE SIZE IS RECOMMENDED ON THE PAGE 4 (BOTTOM OF FIGURE FOR CAGE ASSEMBLY) OF THE TE DOCUMENT 114-13103
 ⊕ Ø0.1 M | Z S
 18 HOLES

SFP HOST BOARD
 MECHANICAL LAYOUT
 SCALE 8:1

<small>THIS DRAWING IS UNPUBLISHED. RELEASED FOR PUBLICATION. ALL RIGHTS RESERVED. THIS DRAWING IS UNPUBLISHED. RELEASED FOR PUBLICATION. ALL RIGHTS RESERVED. THIS DRAWING IS UNPUBLISHED. RELEASED FOR PUBLICATION. ALL RIGHTS RESERVED.</small>		DWN ADAMS LV 23SEP2008 CHK MARTIN LI 23SEP2008 APVD STEVEN YAO 23SEP2008	Tyco Electronics Tyco Electronics Corporation Shanghai, P.R.C. 200233
DIMENSIONS: mm 	TOLERANCES UNLESS OTHERWISE SPECIFIED: 9 PLC ± 1 PLC ±0.1 5 PLC ± 4 PLC ± ANGLES ± FINISH	NAME CAGE AND PT CONNECTOR ASSEMBLY, 2x1, PRESS FIT, STANDARD PROFILE, SFP PRODUCT SPEC 108-2161 APPLICATION SPEC 114-13103 WEIGHT CUSTOMER DRAWING	SIZE CAGE CODE DRAWING NO. RESTRICTED TO A 00779 C=1932173 SCALE 2:1 SHEET 2 OF 3 REV A1

THIS DRAWING IS UNPUBLISHED. RELEASED FOR PUBLICATION 20
 © COPYRIGHT 20 BY TYCO ELECTRONICS CORPORATION. ALL RIGHTS RESERVED.

LOC		DIST		REVISIONS			
ES	00	P	LTR	DESCRIPTION	DATE	DWN	APVD
		-	-	SEE SHEET 1	-	-	-



RECOMMENDED LAYOUT FOR
 MATING TRANSCEIVER PCB
 SCALE 6:1

<small>THIS DRAWING IS UNPUBLISHED. RELEASED FOR PUBLICATION 20. © COPYRIGHT 20 BY TYCO ELECTRONICS CORPORATION. ALL RIGHTS RESERVED.</small> <small>THIS IS SUBJECT TO CHANGE WITHOUT NOTICE AND WITHOUT OBLIGATION. SHOULD BE CONTACTED FOR THE LATEST REVISION.</small>		DWN ADAMS LV 23SEP2008 CHK MARTIN LI 23SEP2008 APVD STEVEN YAO 23SEP2008	Tyco Electronics Corporation Shanghai, P.R.C. 200233
DIMENSIONS: mm 	TOLERANCES UNLESS OTHERWISE SPECIFIED: 9 PLC ± 1 PLC ±0.1 5 PLC ± 4 PLC ± ANGLES ±	NAME CAGE AND PT CONNECTOR ASSEMBLY, 2x1, PRESS FIT, STANDARD PROFILE, SFP PRODUCT SPEC 108-2161 APPLICATION SPEC 114-13103 WEIGHT CUSTOMER DRAWING	SIZE A1 CAGE CODE 00779 DRAWING NO C=1932173 RESTRICTED TO
MATERIAL	FINISH	SCALE 1:1	SHEET 3 OF 3