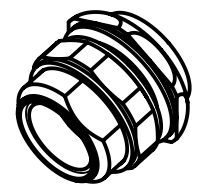
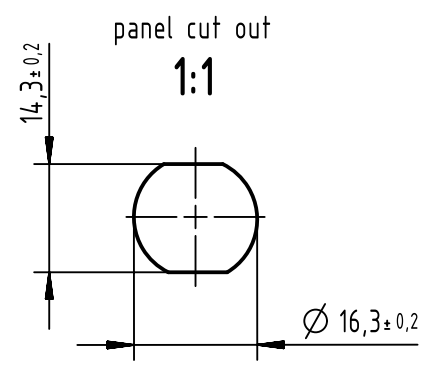
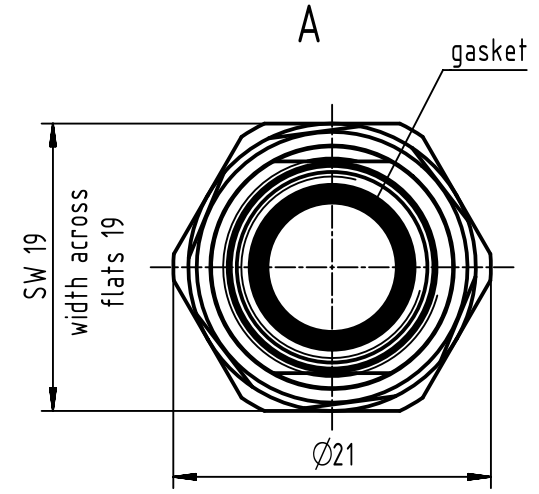
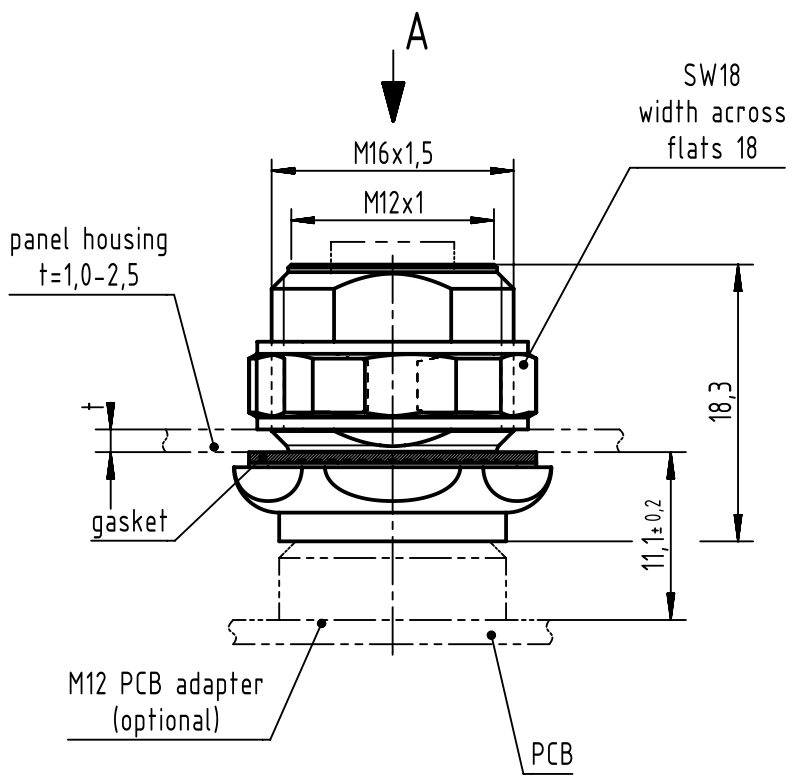



1 2 3 4 5 6

A
B
C
D



	All Dimensions in mm Original Size DIN A4		Scale 2:1		Free size tol.		Ref.			
	All rights reserved Department EC PD - RO		Created by STOICA		Inspected by DRAGHICI		Standardisation HOFFMANN			
HARTING Electronics GmbH D-32339 Espelkamp		Title PCB receptacle housing back female					Date 2017-08-22		State Final Release	
		Type TB					Number 21033022000		Doc-Key / ECM-Nr. 100600236/UGD/002/C 500000123155	
							Rev. C		Page 1/1	