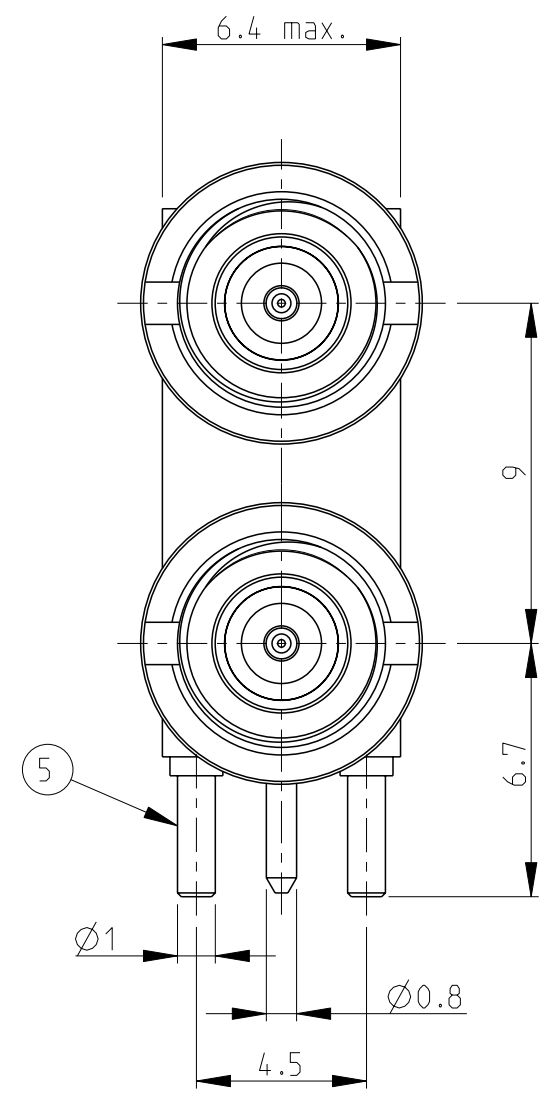
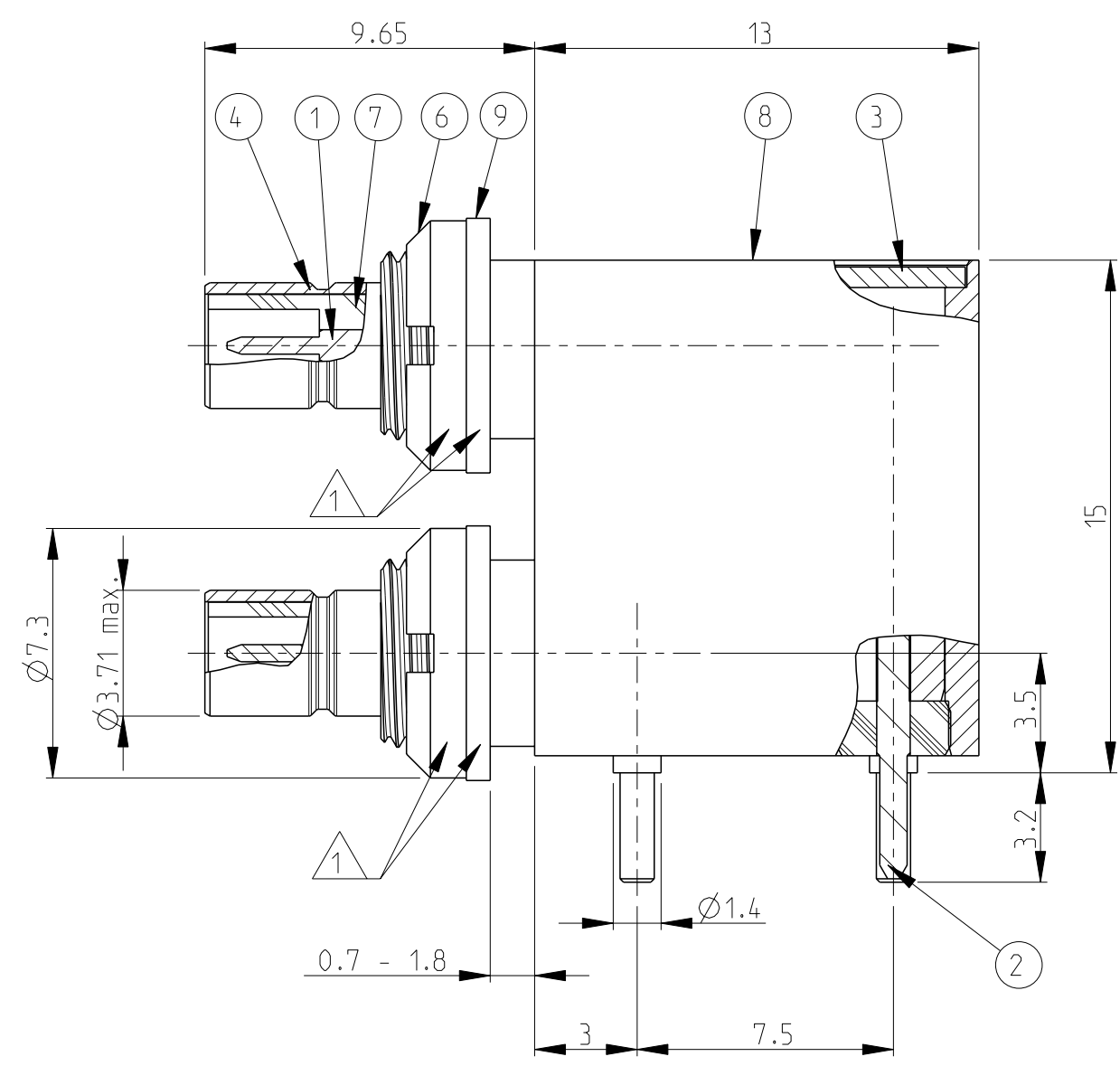
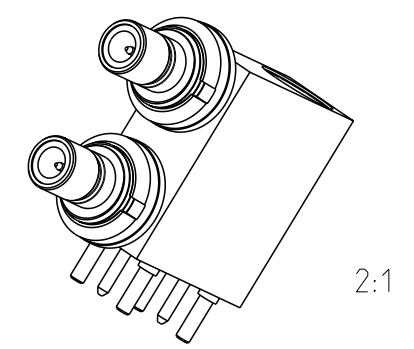


THIS DRAWING IS UNPUBLISHED. RELEASED FOR PUBLICATION 2007
 © COPYRIGHT 2007 BY TYCO ELECTRONICS CORPORATION. ALL RIGHTS RESERVED.

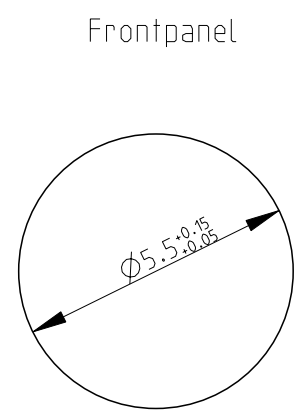
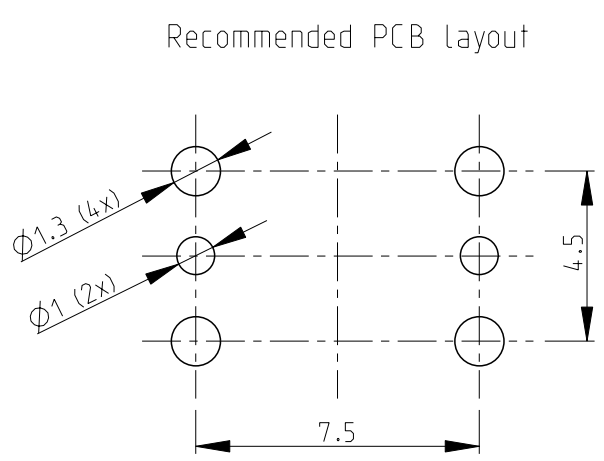
LOC	DIST	REVISIONS			
P	LTR	DESCRIPTION	DATE	DWN	APVD
GW	-	51	First issue	23OCT2007	AM DB
		52	Added washer	05NOV2007	AM DB
		A	Released to production	11JAN2008	AM DB
		A1	REVISE PER ECO-17-013455	13SEP2017	LN RS



OBSOLETE



2. Mating face according to CECC 22130
 1. Supplied as loose part



THIS DRAWING IS A CONTROLLED DOCUMENT FOR TYCO ELECTRONICS CORPORATION
 IT IS SUBJECT TO CHANGE AND THE CONTROLLING ENGINEERING ORGANIZATION
 SHOULD BE CONTACTED FOR THE LATEST REVISION.

DIMENSIONS:		TOLERANCES UNLESS OTHERWISE SPECIFIED:	
mm			
	0 PLC	±	
	1 PLC	±	
	2 PLC	±	
	3 PLC	±	
	4 PLC	±	
	ANGLES	±	
MATERIAL		FINISH	

DWN	A. Mariotti	23OCT2007	Tyco Electronics Lugano - Switzerland	
CHK	D. Bozzer	23OCT2007	NAME	
APVD	D. Bozzer	23OCT2007	RIGHT-ANGLE BULKHEAD JACK WITH PCB CONNECTION SMB 50 Ohm	
PRODUCT SPEC	-	-	SIZE	A3
APPLICATION SPEC	-	-	CAGE CODE	00779
WEIGHT	-	-	DRAWING NO	619348
CUSTOMER DRAWING			RESTRICTED TO	-
SCALE			5:1	SHEET 1 OF 1
			REV	A1