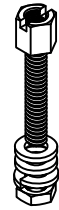
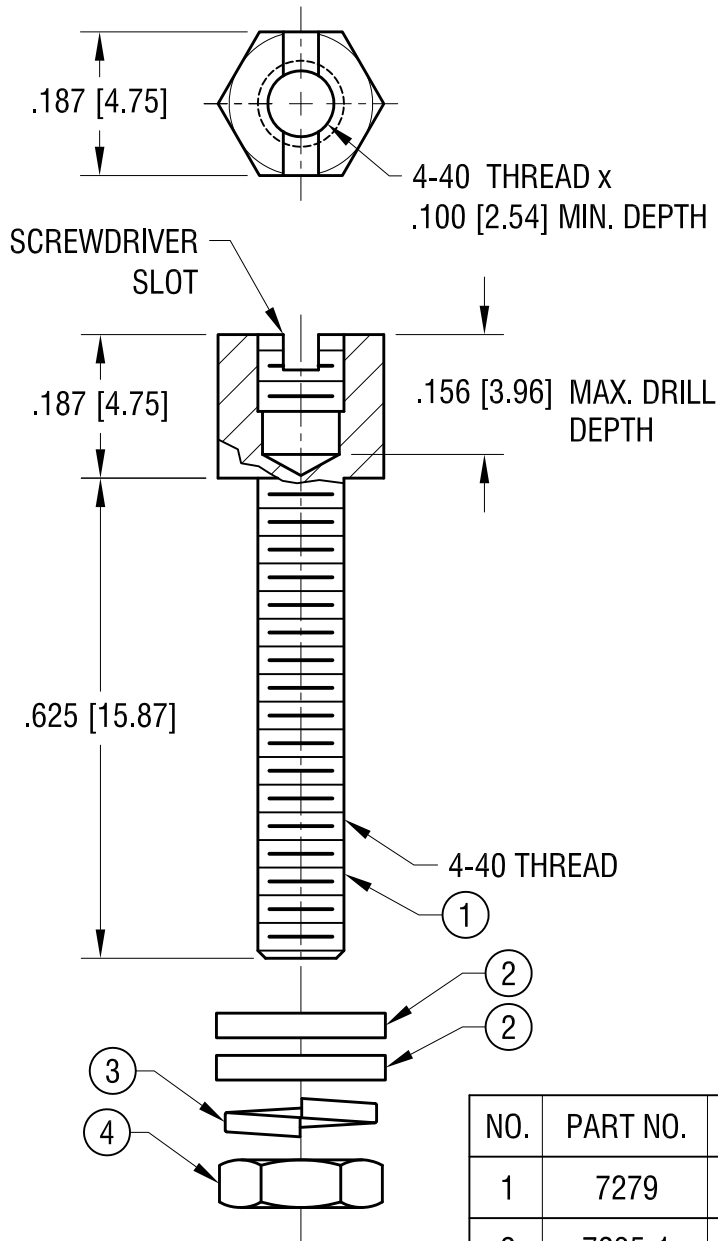


THIS DOCUMENT IS THE PROPERTY OF KEYSTONE ELECTRONICS CORP. AND SHALL NOT BE REPRODUCED, DISTRIBUTED OR USED AS A BASIS FOR MANUFACTURE WITHOUT PRIOR WRITTEN PERMISSION FROM KEYSTONE ELECTRONICS CORP.

ACTUAL SIZE



NO.	PART NO.	DESCRIPTION	QTY
1	7279	JACK SCREW	1
2	7235-1	FLAT WASHER	2
3	7235-2	LOCKWASHER	1
4	7235-3	NUT	1

KEYSTONE ELECTRONICS CORP.
 www.keyelco.com • NEW HYDE PARK NY 11040 • Tel (516)328-7500

PART NAME
JACK SCREW W/SLOT & HARDWARE

MATERIAL
STEEL

FINISH ZINC PLATE CLEAR CHROMATE	DRN BY BOONE	DATE 3.10.06
	APP'D LN	SCALE 4X

TOLERANCES INCH [MM]
 DECIMAL ± .005 [± 0.13]
 ANGULAR ± 1°
 UNLESS OTHERWISE SPECIFIED

CODE
C

DWG NO.
7299

DATE	DESCRIPTION	REV.