


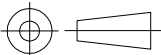
LOC	DIST	REVISIONS						
		P	LTR	DESCRIPTION	DATE	DWN	APVD	
J	—		V	REVISED	ECR-13-007857	14MAY2013	SN	JK

See customer Accessible
Production Drawing

THIS DRAWING IS UNPUBLISHED.

ALL RIGHTS RESERVED.

© COPYRIGHT - By Tyco Electronics Japan G.K.

DIMENSIONS: mm	DWN H.MASUDA	16DEC1987	MATERIAL	—	FINISH	—
	CHK T.YOSHIOKA	28DEC1987	 TE Connectivity			
TOLERANCES UNLESS OTHERWISE SPECIFIED:	APVD H.ABE	29DEC1987				
0 PLC ± -	PRODUCT SPEC		NAME MINIATURE QUICK CHANGE APPLICATOR HINGE BAR EF (.250 POSITIVE LOCK EX FLAG)			
1 PLC ± -	—					
2 PLC ± -	APPLICATION SPEC		SIZE	CAGE CODE	DRAWING NO	RESTRICTED TO
3 PLC ± -	—		A4	00779	C-908993-2	—
4 PLC ± -	WEIGHT		—			
ANGLES ± -	—		—			
	CUSTOMER DRAWING		SCALE	—	SHEET	1 OF 1
					REV	V