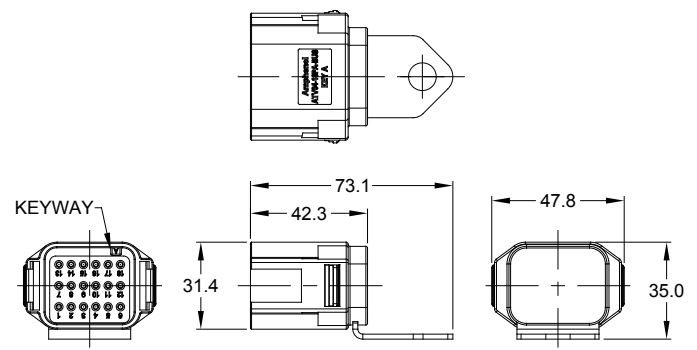
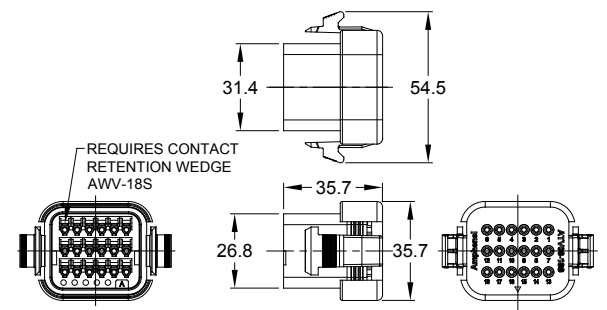


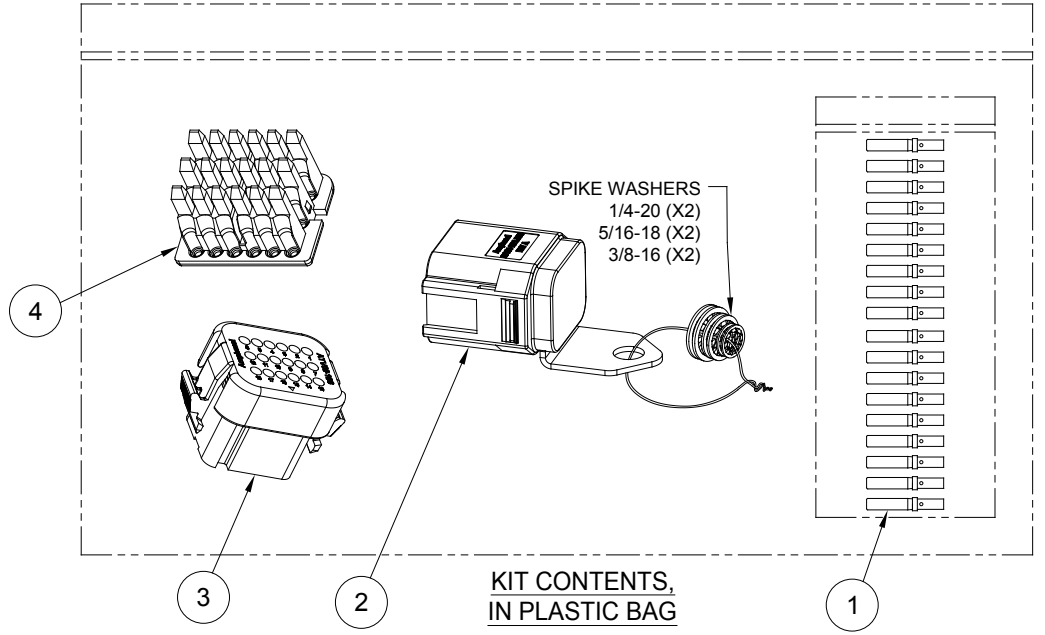
REVISIONS					
REV	ECO	DESCRIPTION	DATE	BY	APPR
A1	-	RELEASE	10JUN19	JAH	DH
A2	-	UPDATED PLUG VIEWS AND WIRE RANGE	16JUL19	JAH	DH
A3	-	UPDATED MAX. INSUL O.D.	05DEC19	SULLEN	TOMMY



REFERENCE DIMENSIONS - BUS RECEPTACLE



REFERENCE DIMENSIONS - ASSEMBLED PLUG



KIT CONTENTS, IN PLASTIC BAG

NOTES: UNLESS OTHERWISE SPECIFIED

- MATERIAL:
HOUSING: THERMOPLASTIC
CONTACT: COPPER ALLOY, NICKEL PLATED
METAL INSERT: COPPER ALLOY, NICKEL PLATED
SPIKE WASHERS: STAINLESS STEEL
- SPECIFICATIONS:
3.1 CURRENT RATING: 230 AMPS
3.2 OPERATING TEMPERATURE: -55°C TO +125°C
3.3 INSULATION RESISTANCE: 1000 MEGOHMS MIN @ 25°C
3.4 MOISTURE RESISTANCE: IP67 (MATED CONDITION)
3.5 MATING CYCLE DURABILITY: 100 CYCLES
3.6 RoHS COMPLIANT
- AVAILABLE HAND CRIMPER: CA-5D12
- ALL DIMENSIONS ARE FOR REFERENCE USE ONLY

ATV46-18PSX-BUSKIT VARIANTS		
COLOR	PART NUMBER	KEY
GREY	ATV46-18PSA-BUSKIT	A
BLACK	ATV46-18PSB-BUSKIT	B

6. CONTACT SIZE AND PLUG REAR SEAL WIRE RANGE:

CONTACT SIZE	MIN. INSUL O.D.	MAX. INSUL O.D.	TYPICAL WIRE RANGE
16	2.23 mm (.088 in)	3.00 mm (.118 in)	14-20 AWG (2.0-0.5mm ²)

QUANTITY	PART NUMBER	DESCRIPTION	ITEM
1	AWV-18S	S-WEDGELOCK 18 POS, ATV	4
1	ATV06-18SX	PLUG, 18 PIN, ATV SERIES, STD DIA. WIRE SEAL	3
1	ATV04-18PX-BUS	RECEPTACLE, 18 PIN, BUS, ATV SERIES	2
18	AT62-201-16141	CONTACT, SOCKET, SOLID, SIZE 16, 16-20AWG	1

MATERIALS LIST		
UNLESS OTHERWISE SPECIFIED 1) All dimensions are in metric(mm). 2) Tolerances are as follows: 1 PL DEC ±0.30 Fractions ±1/64 2 PL DEC ±0.15 Angles ±1° 3) Note reference =		SIGNATURES DATE DRAWN: SULLEN,ZHANG 05DEC19 CHECKED: ORION,LI 05DEC19 ENGINEER: APPROVAL: TOMMY,XIE 05DEC19
MATERIAL SPECIFICATIONS:		CUSTOMER:
PROCESS SPECIFICATIONS:		THIS DRAWING IS SUPPLIED FOR INFORMATION ONLY. DESIGN FEATURES, SPECIFICATIONS AND PERFORMANCE DATA SHOWN HEREON ARE THE PROPERTY OF THE AMPHENOL CORPORATION. NO RIGHTS OF REPRODUCTION ARE IMPLIED. ALL DIMENSIONS ARE SUBJECT TO NORMAL MANUFACTURING VARIATIONS.
NEXT ASSY:		SCALE: NONE

Amphenol

Sine Systems - www.amphenol-sine.com
44724 Morley Drive
Clinton Township, MI 48036

HYPERBUSS ATV SERIES 18-WAY RECP/PLUG COMPLETE KIT

SIZE	TYPE	DWG NO:	REVISION
B	C-	ATV46-18PSX-BUSKIT	A3

SHEET 1 OF 1

TITLE: HYPERBUSS ATV SERIES 18-WAY RECP/PLUG KIT DWG NO: ATV04-18PX-BUSS REV: A3 SH: 1 OF: 1