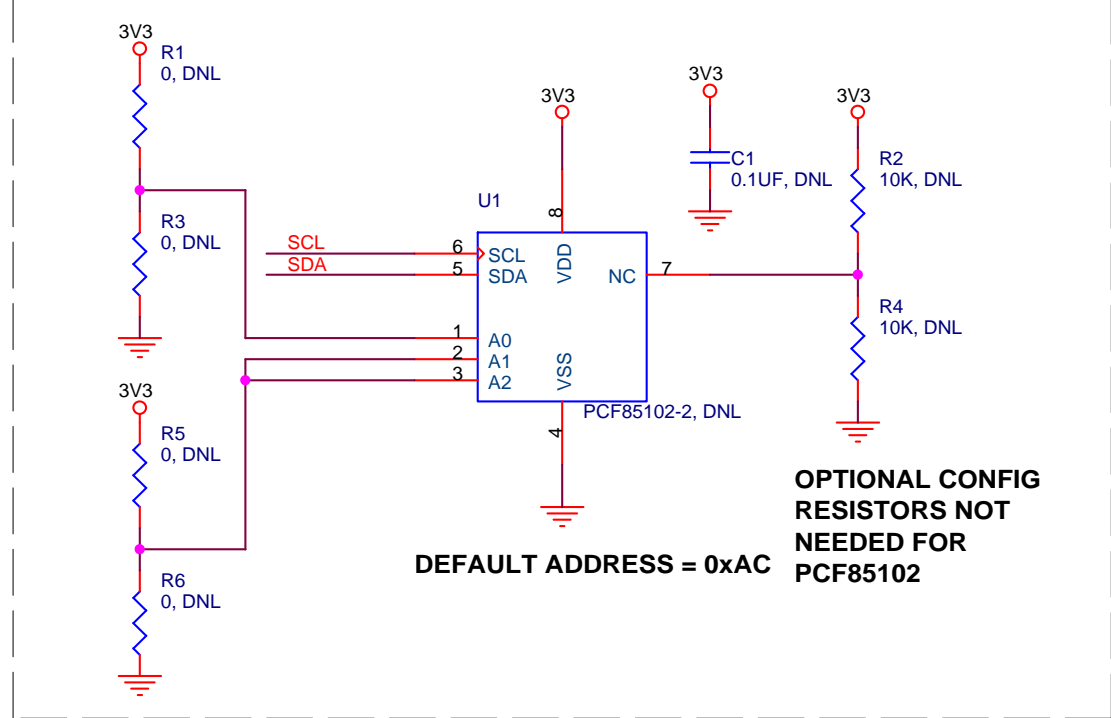
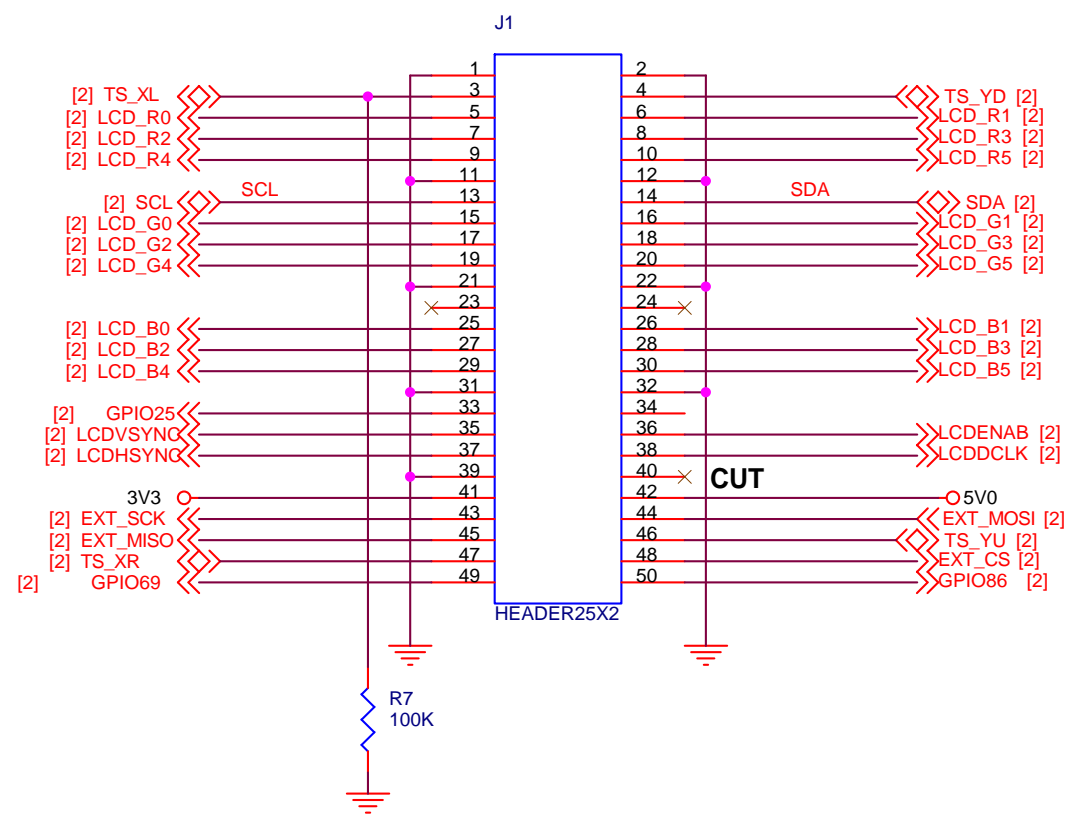


LCD CARRIER IDENTIFICATION EEPROM

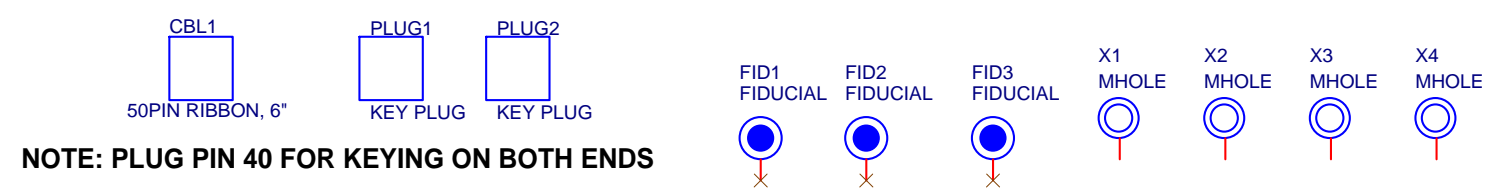


BRD-TO-BRD (MALE FOR RIBBON)



SUPPORTED LCDS

P/N	Size	Resolution
TX11D06VM2APA	4.3"	480 x 272 WQVGA

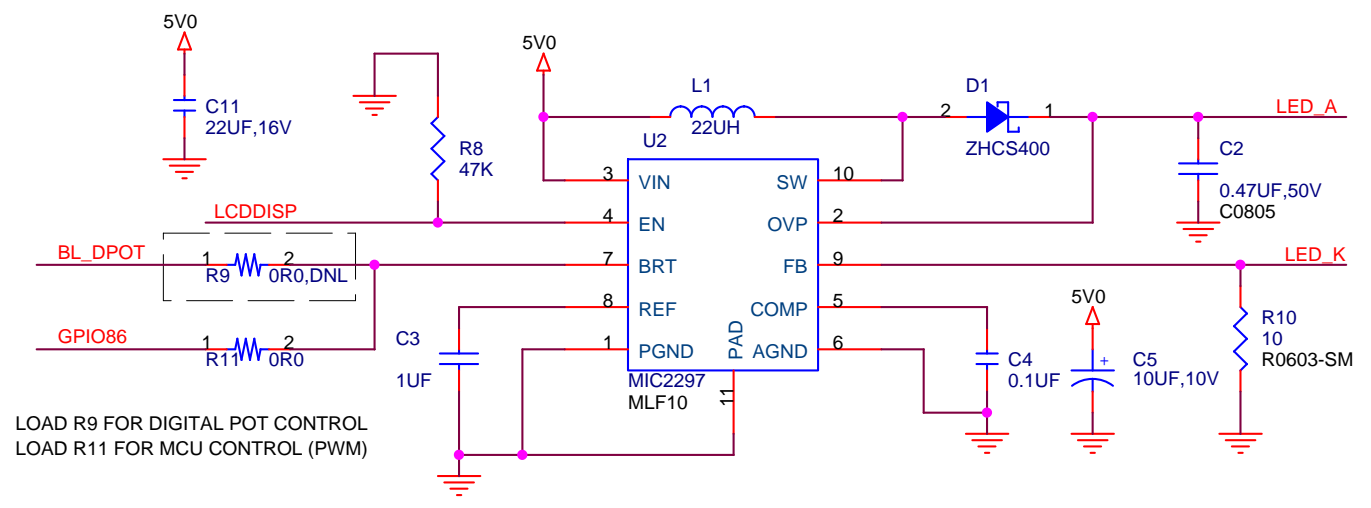


FUTURE DESIGNS, INC. www.teamfdi.com

Title: LCDCARRIER 4WQH - CONNECTORS, EEPROM

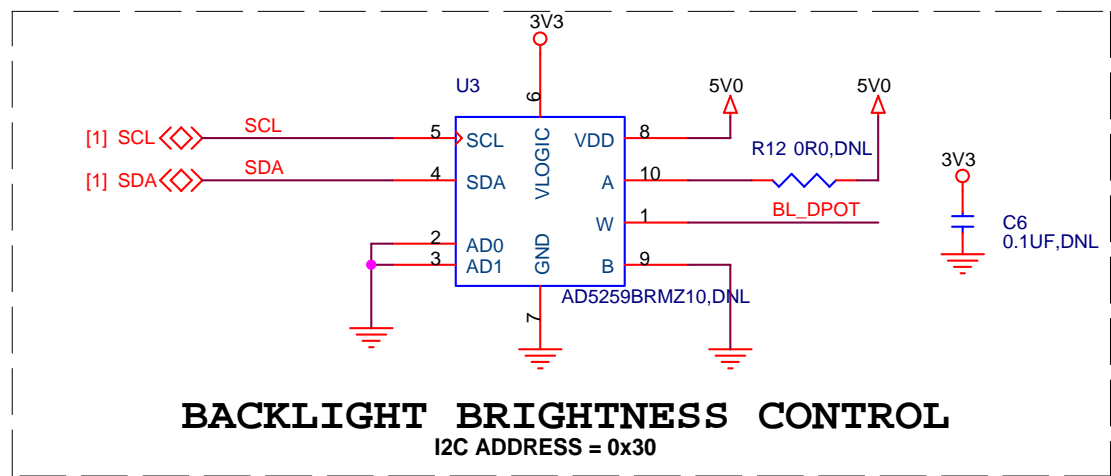
Size: Document Number Rev 1

Date: Monday, September 12, 2011 Sheet 1 of 2

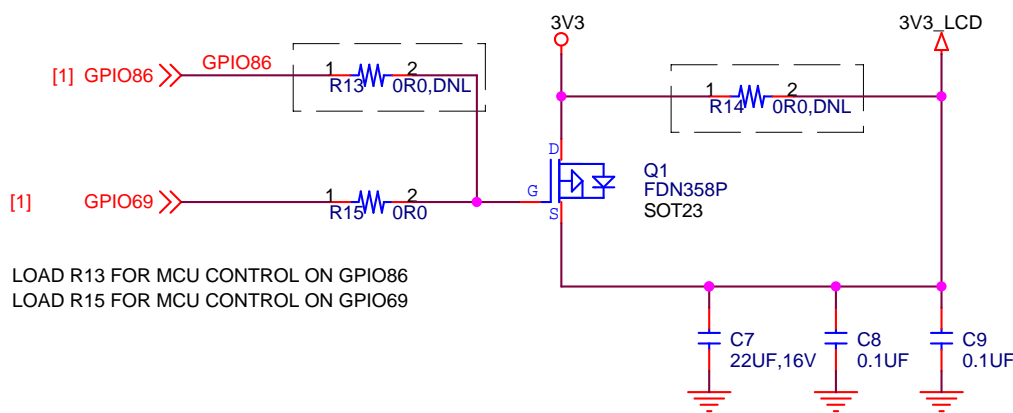


BACKLIGHT VOLTAGE GENERATOR

LOAD R9 FOR DIGITAL POT CONTROL
LOAD R11 FOR MCU CONTROL (PWM)

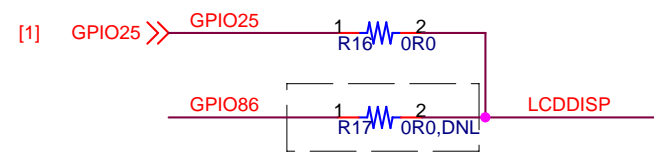


BACKLIGHT BRIGHTNESS CONTROL
I2C ADDRESS = 0x30

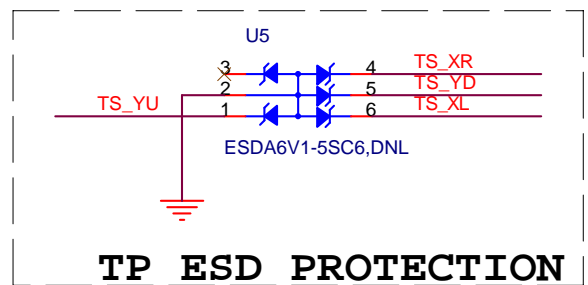


DISPLAY POWER SWITCH

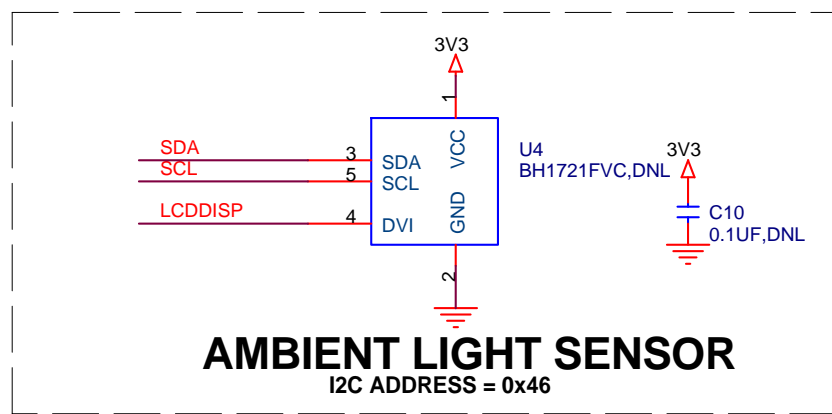
LOAD R13 FOR MCU CONTROL ON GPIO86
LOAD R15 FOR MCU CONTROL ON GPIO69



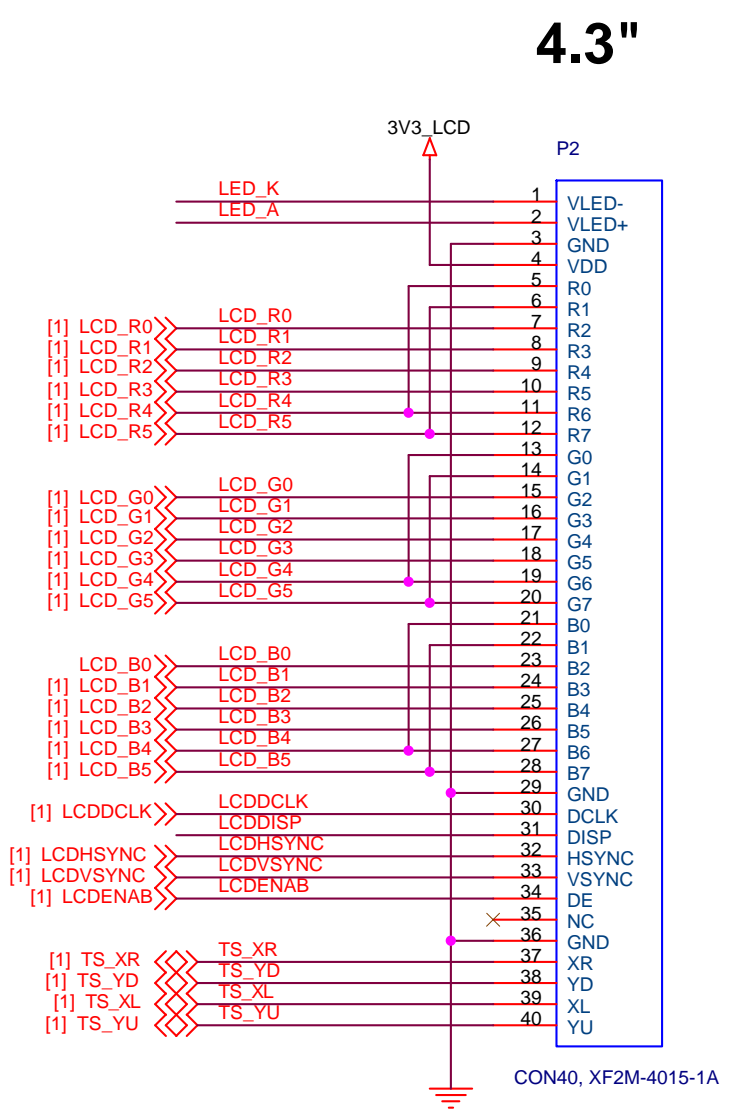
DISPLAY ENABLE
(1=ENABLE, 0=DISABLE)



TP ESD PROTECTION



AMBIENT LIGHT SENSOR
I2C ADDRESS = 0x46



4.3"

CONNECTOR DETAILS:
0.5MM PITCH
0.30+/-0.03 THICKNESS
PADS: 3.5MM LENGTH, 0.35MM WIDTH
CONTACT UP

4.3" BACKLIGHT DETAILS:
9 LED SERIES
20mA TYPICAL, 25mA MAX EACH LED
27.9V @ 20mA CURRENT

FUTURE DESIGNS, INC.			www.teamfdi.com
Title	LDCARRIER 4WQH - 4.3" LCD		
Size	Document Number	Rev 1	
Date:	Monday, September 12, 2011	Sheet	2 of 2