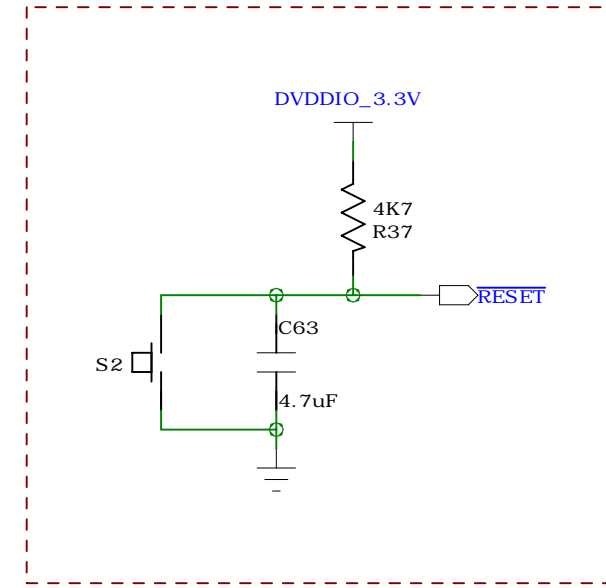
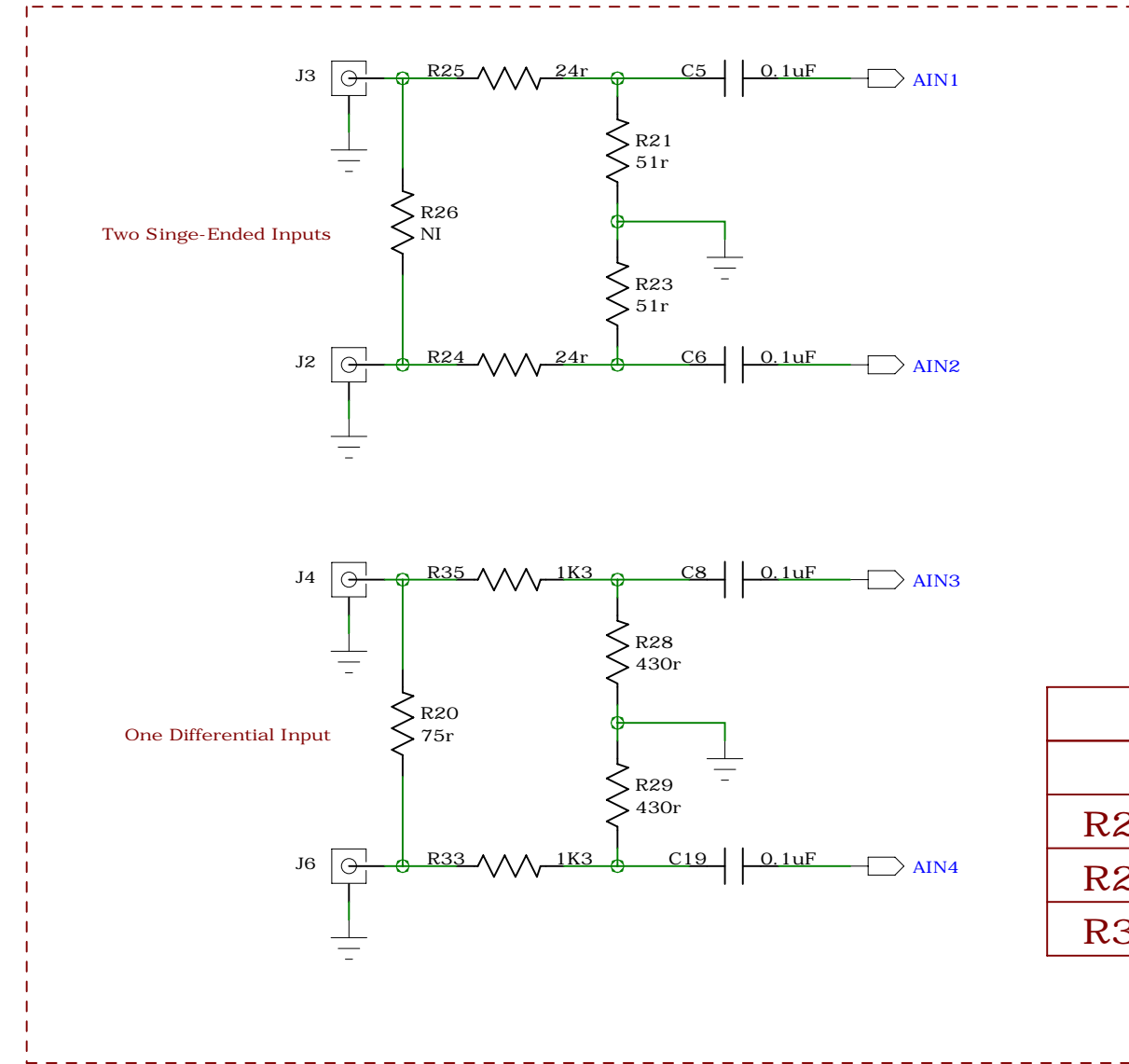


### Analog Front End

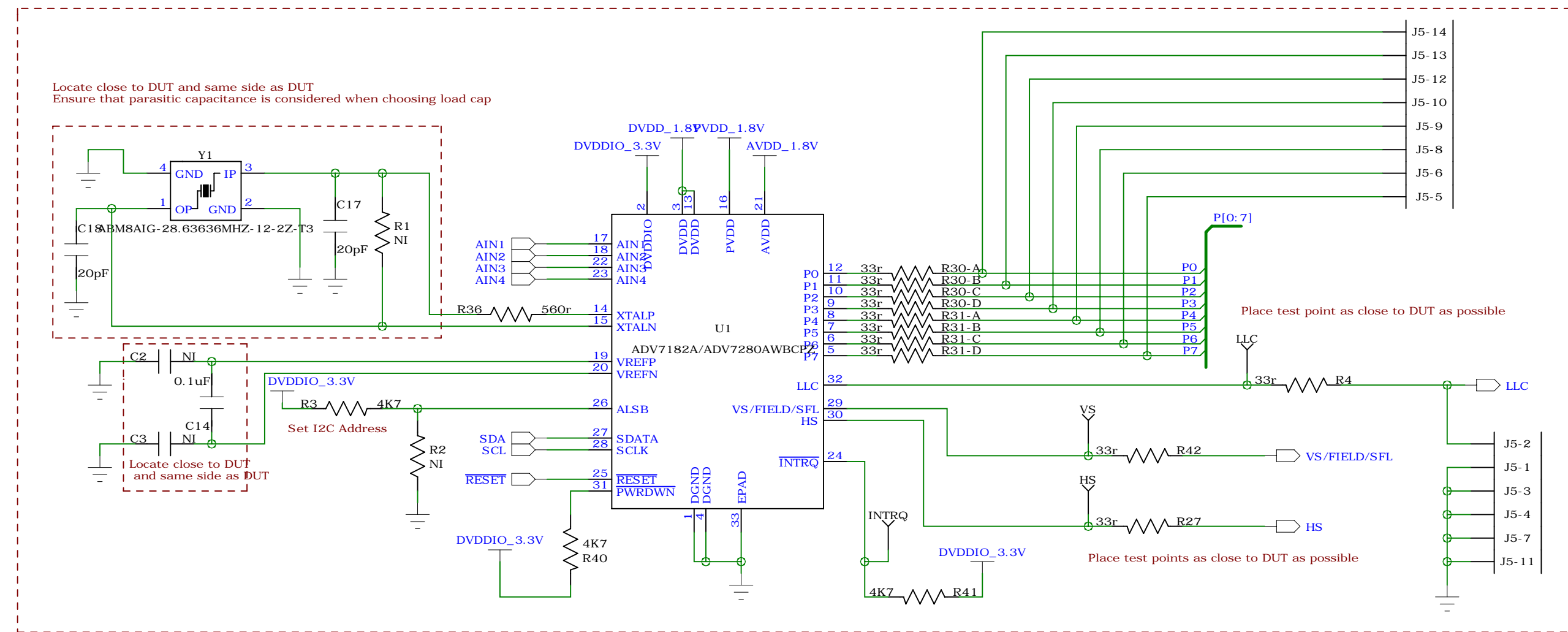
### Reset Switch

REVISION RECORD			
LTR	ECO NO:	APPROVED:	DATE:

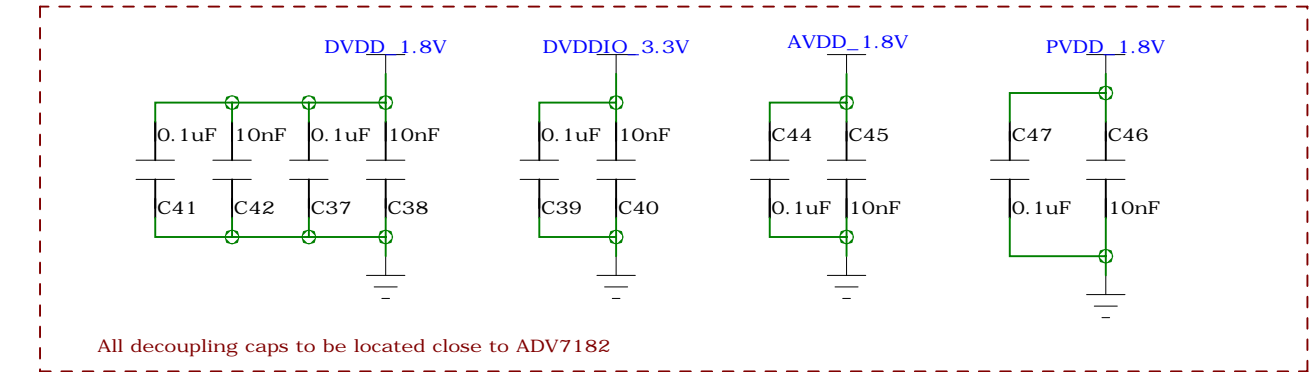


Stuffing Options			
For ADV7182A		For ADV7280A	
R20	75r	R20	Not Inserted
R28 & R29	430r	R28 & R29	51r
R33 & R35	1K3	R33 & R35	24r

### ADV7182A/ADV7280A



### Power Supply Decoupling



COMPANY: **Analog Devices**

TITLE: **EVAL-ADV7182A/ADV7280AEBZ**

DRAWN: <b>Joe Triggs</b>	DATED: <b>April 2017</b>
CHECKED: <b>&lt; Checked By &gt;</b>	DATED: <b>&lt; Checked Date &gt;</b>
QUALITY CONTROL: <b>&lt; QC By &gt;</b>	DATED: <b>&lt; QC Date &gt;</b>
RELEASED: <b>&lt; Released By &gt;</b>	DATED: <b>&lt; Release Date &gt;</b>

CODE:	SIZE:	DRAWING NO:	REV:
<b>N/A</b>	<b>A2</b>	<b>ADV7182A/ADV7280A</b>	<b>A</b>
SCALE: <b>&lt; Scale &gt;</b>			SHEET: <b>1</b> of <b>4</b>

6

5

4

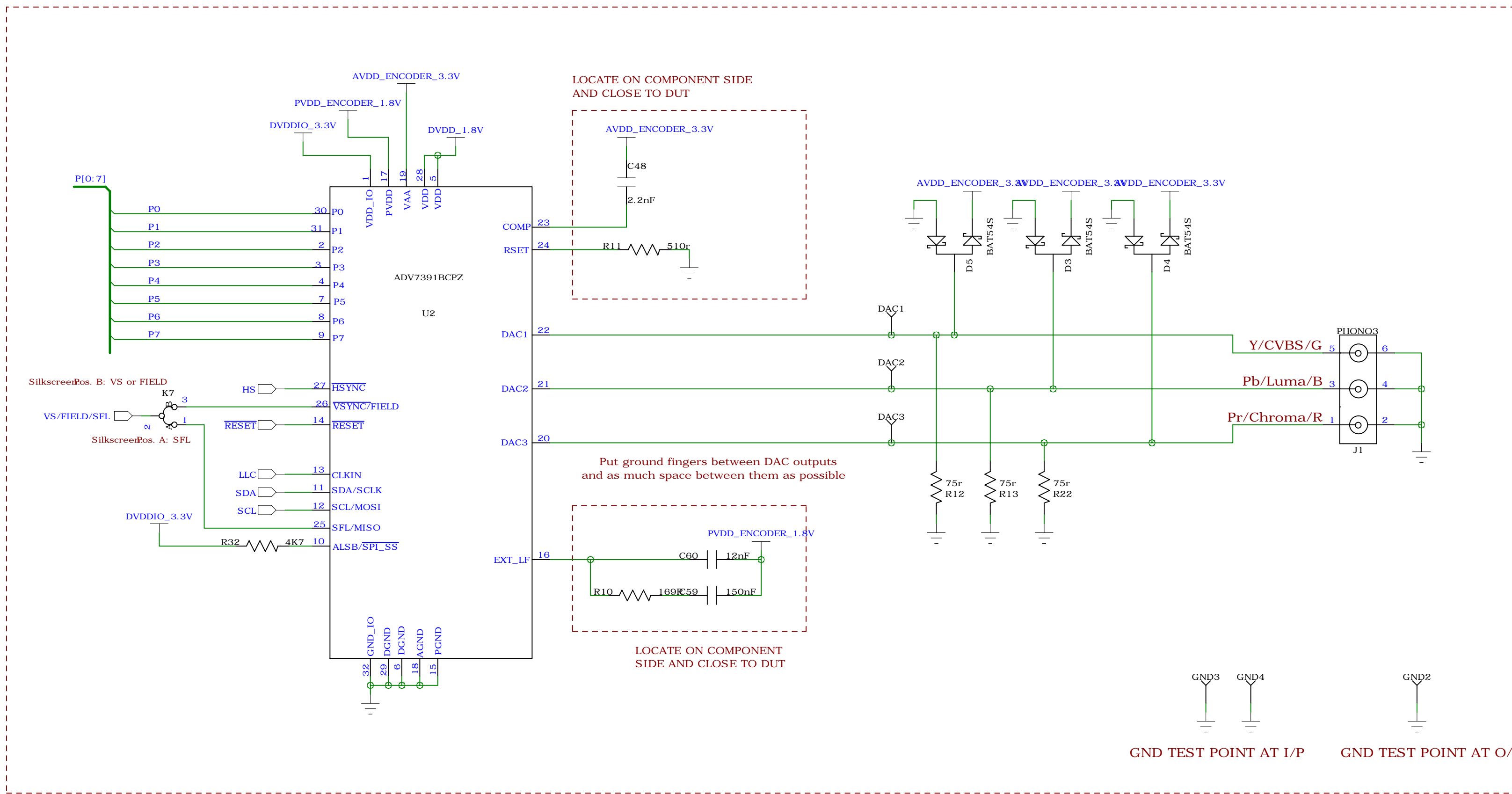
3

2

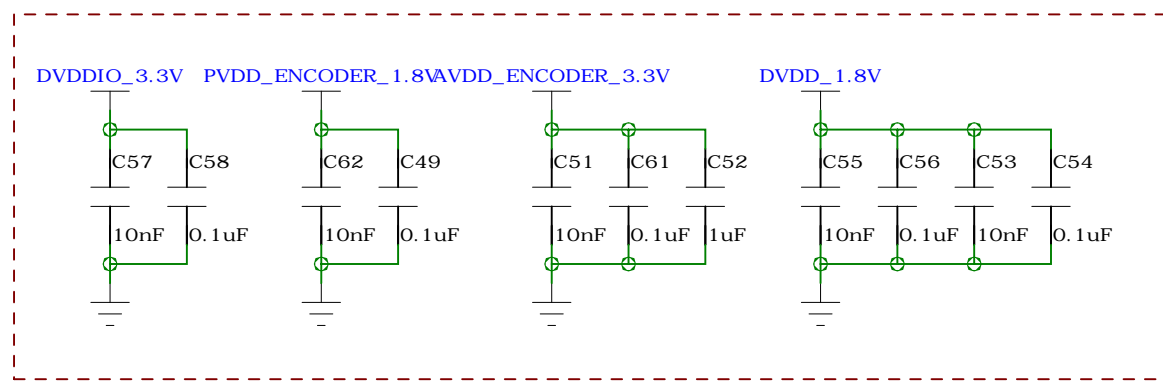
1

# ADV7391

REVISION RECORD			
LTR	ECO NO:	APPROVED:	DATE:



## ADV7391 Power Supply Decoupling



COMPANY: **Analog Devices**

TITLE: **EVAL-ADV7182A/ADV7280AEBZ**

DRAWN: <b>Joe Triggs</b>	DATED: <b>April 2017</b>
CHECKED: < Checked By >	DATED: < Checked Date >
QUALITY CONTROL: < QC By >	DATED: < QC Date >
RELEASED: < Released By >	DATED: < Release Date >

CODE:	SIZE:	DRAWING NO:	REV:
<b>N/A</b>	<b>A2</b>	<b>ADV7182A/ADV7280A</b>	<b>A</b>

6

5

4

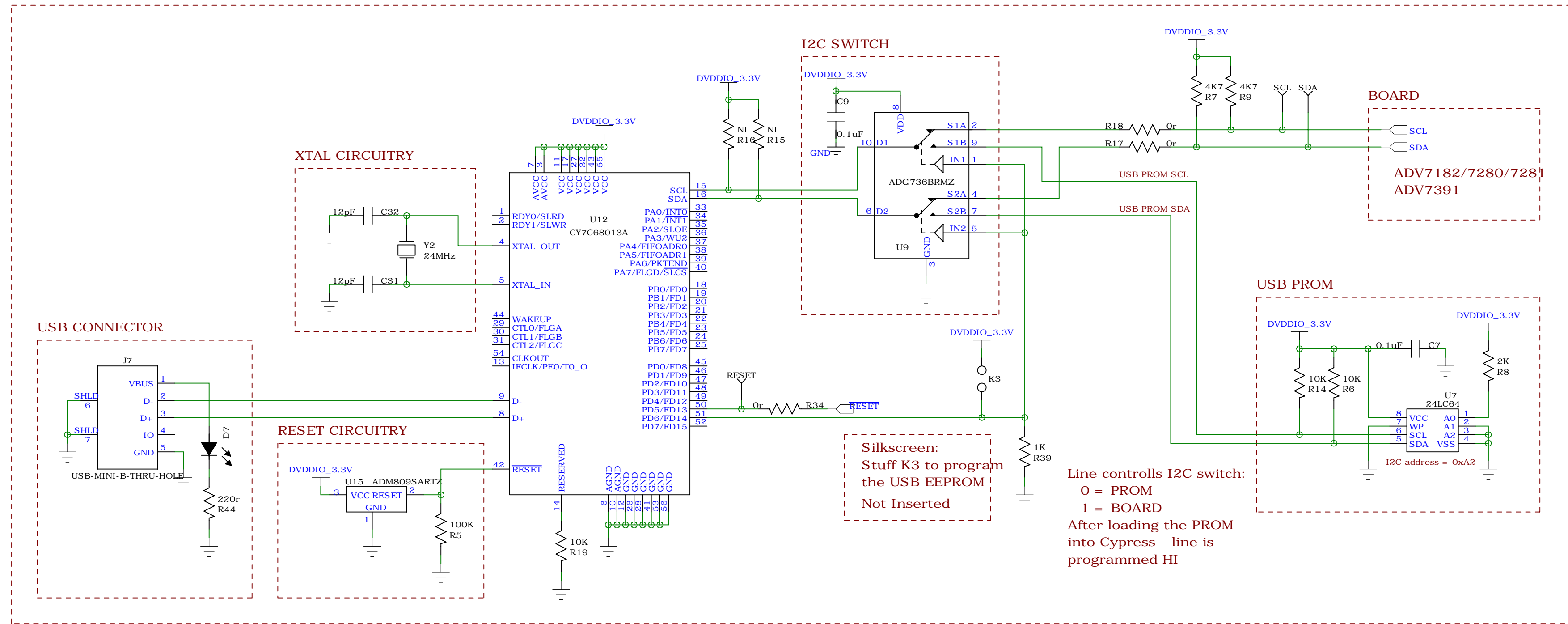
3

2

1

REVISION RECORD			
LTR	ECO NO:	APPROVED:	DATE:

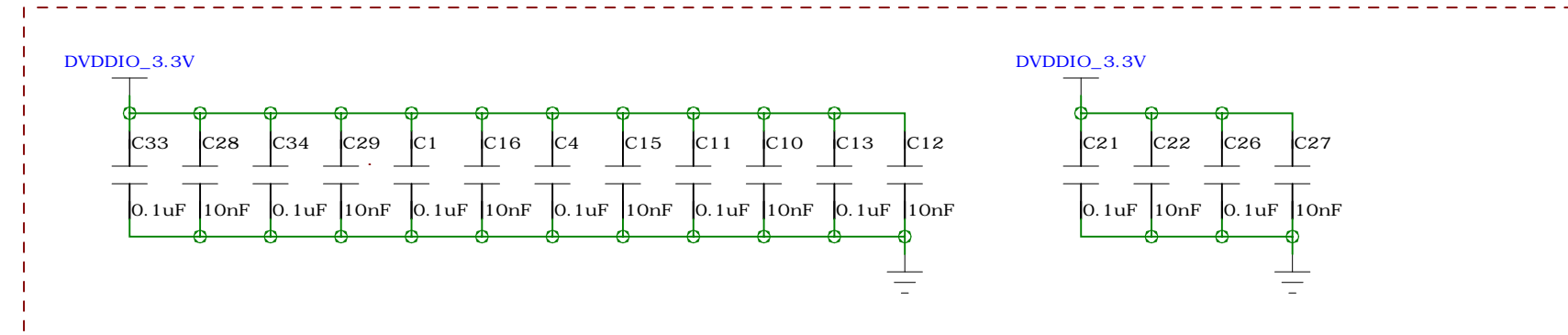
### USB



Line controls I2C switch:  
 0 = PROM  
 1 = BOARD  
 After loading the PROM  
 into Cypress - line is  
 programmed HI

Silkscreen:  
 Stuff K3 to program  
 the USB EEPROM  
 Not Inserted

### Decoupling



COMPANY: Analog Devices

TITLE: EVAL-ADV7182A/ADV7280AEBZ

DRAWN: Joe Triggs	DATED: April 2017
CHECKED: < Checked By >	DATED: < Checked Date >
QUALITY CONTROL: < QC By >	DATED: < QC Date >
RELEASED: < Released By >	DATED: < Release Date >

CODE:	SIZE:	DRAWING NO:	REV:
N/A	A2	ADV7182A/ADV7280A	A

6

5

4

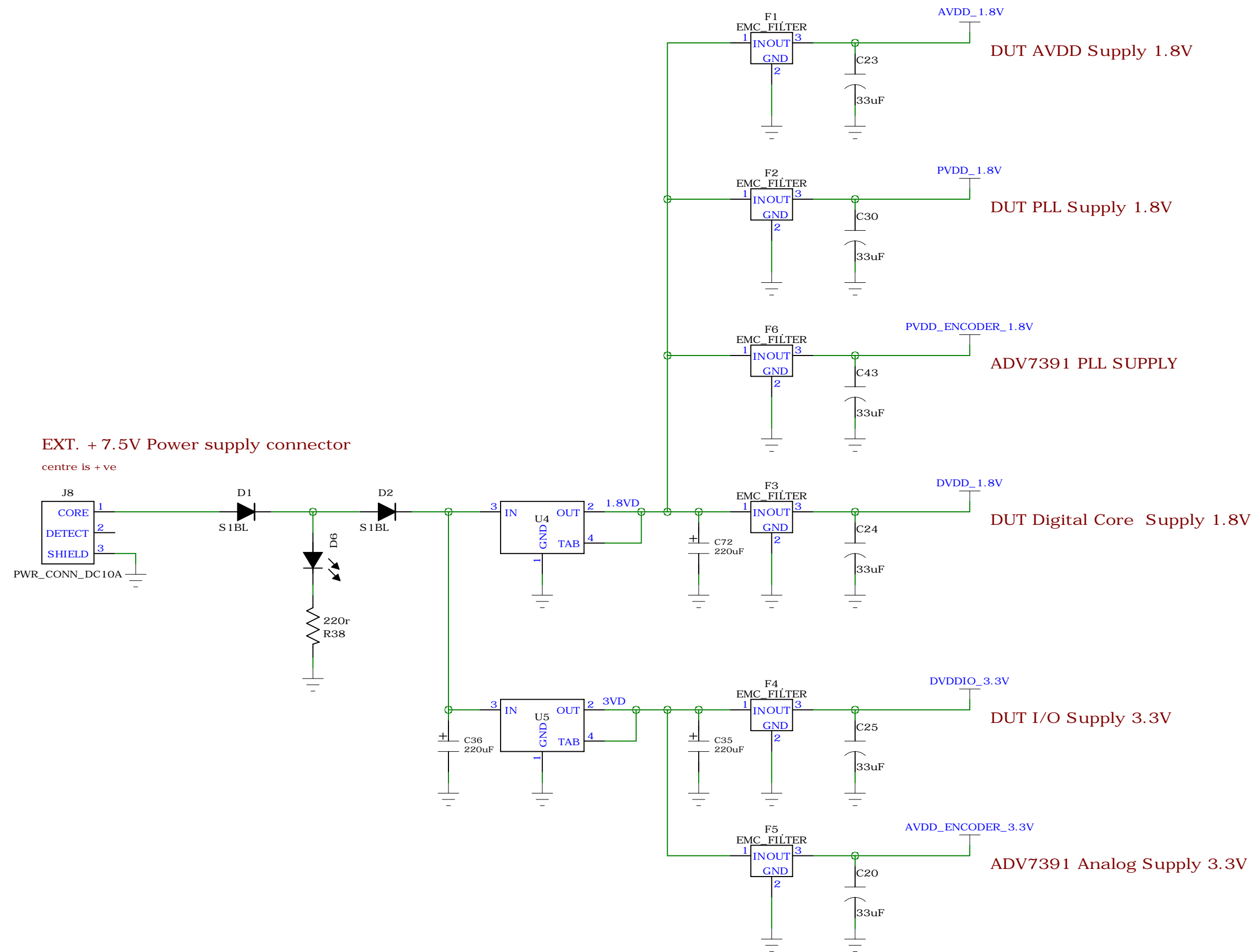
3

2

1

REVISION RECORD			
LTR	ECO NO:	APPROVED:	DATE:

### Power Section



COMPANY: Analog Devices

TITLE: EVAL-ADV7182A/ADV7280AEBZ

DRAWN: Joe Triggs	DATED: April 2017
CHECKED: < Checked By >	DATED: < Checked Date >
QUALITY CONTROL: < QC By >	DATED: < QC Date >
RELEASED: < Released By >	DATED: < Release Date >

CODE:	SIZE:	DRAWING NO:	REV:
N/A	A2	ADV7182A/ADV7280A	A
SCALE: < Scale >			SHEET: 4 OF 4