

Customer Information Sheet

DRAWING No.: M50-360XX42R

SHEET 3 OF 4

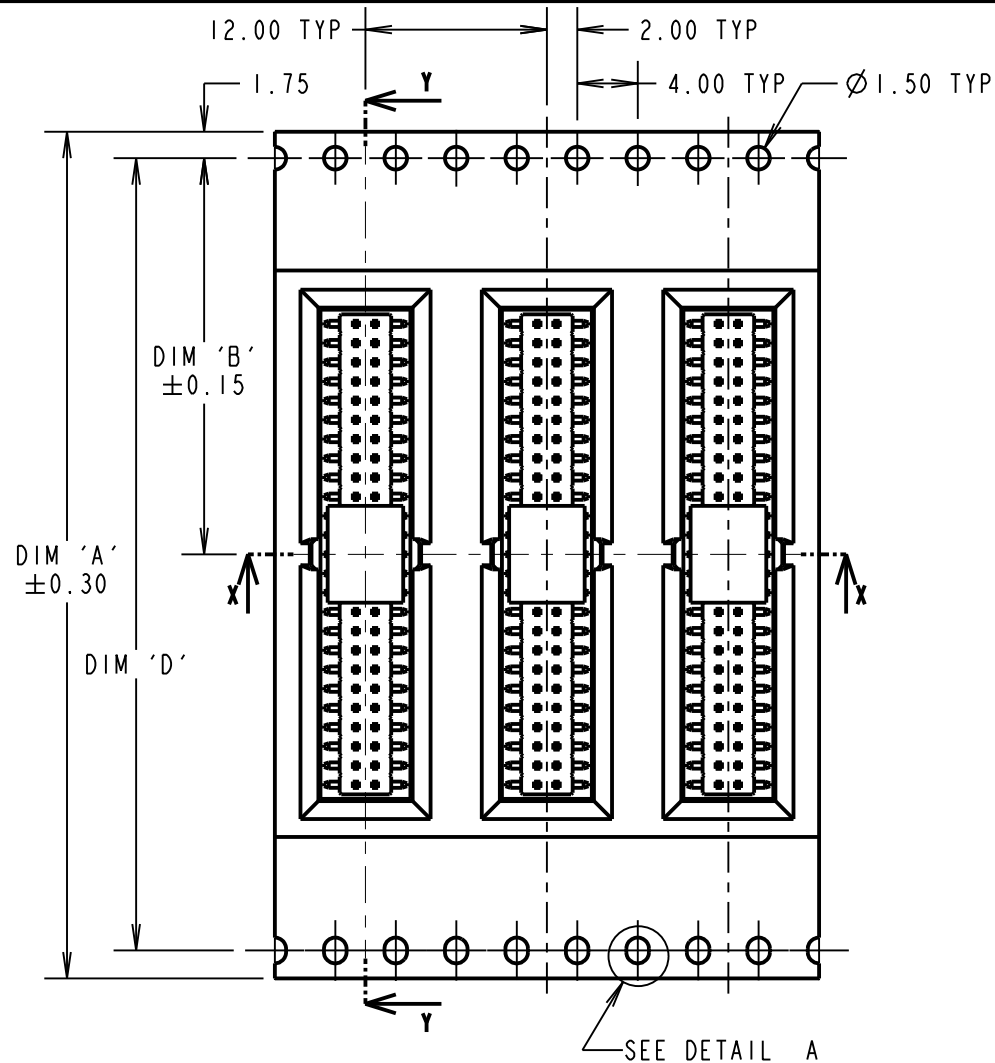
IF IN DOUBT - ASK

©

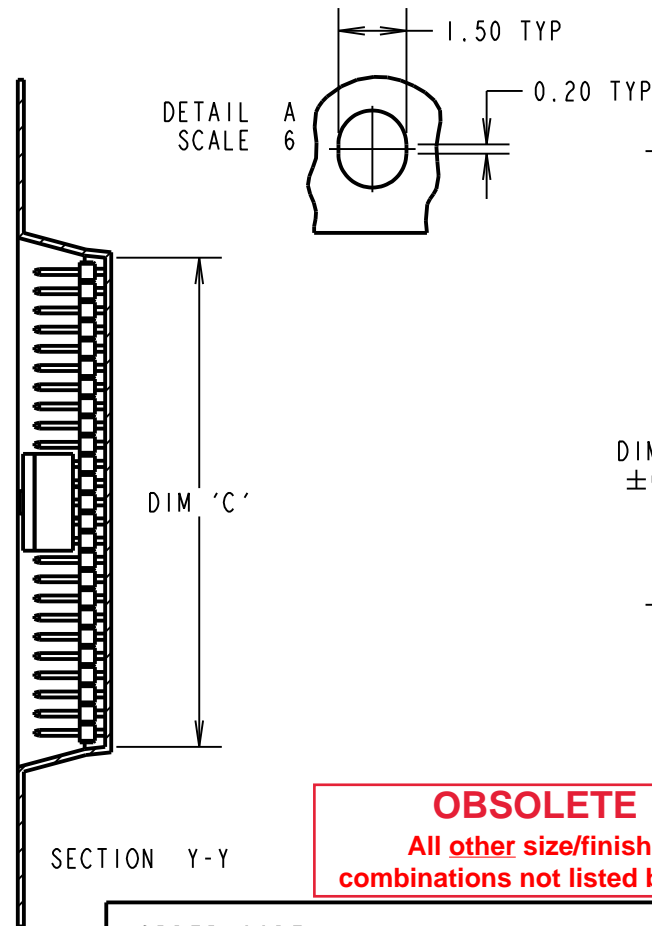
NOT TO SCALE

THIRD ANGLE PROJECTION

ALL DIMENSIONS IN mm



TAPE DETAILS FOR 20 & 25 WAYS



OBSOLETE
All other size/finish combinations not listed below

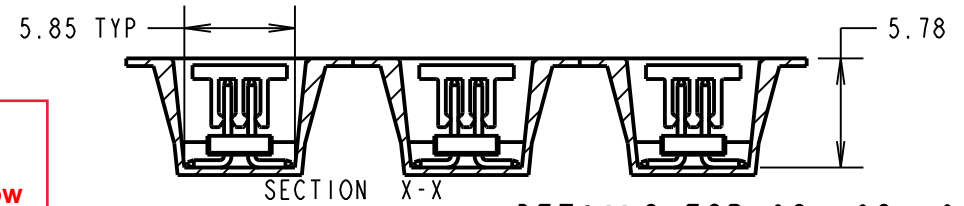
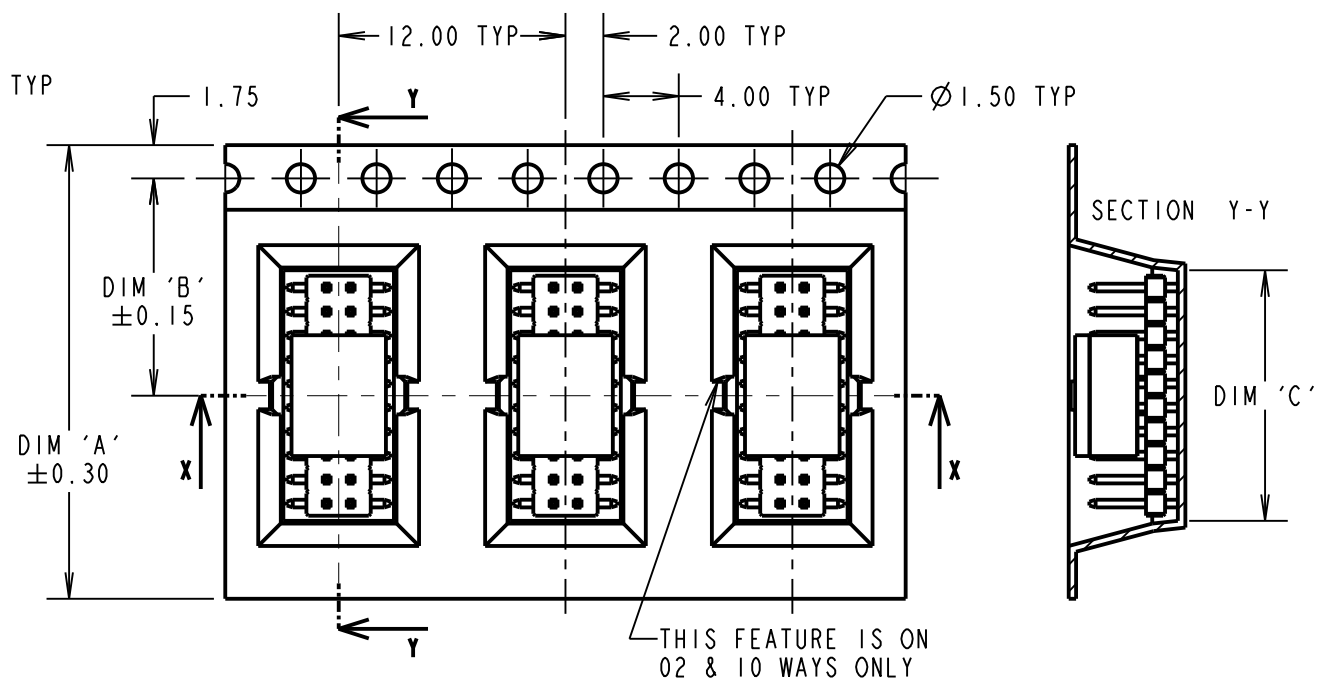
ORDER CODE:

M50-360XX42R

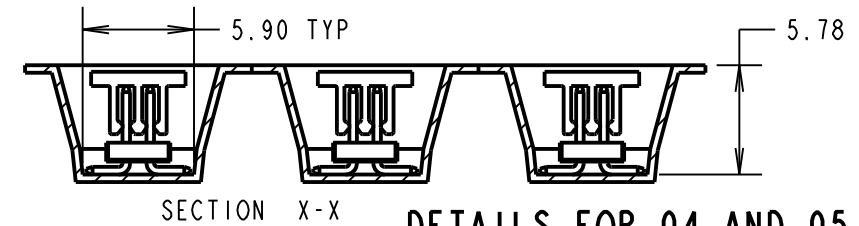
No. OF CONTACTS PER ROW:
02, 03, 04, 05, 06, 10, 20, 25

FINISH:
42 = SELECTIVE GOLD & 100% TIN OVER NICKEL

TAPE DETAILS FOR 02, 03, 04, 05, 06 & 10 WAYS



DETAILS FOR 02, 03, 06 AND 10 WAYS

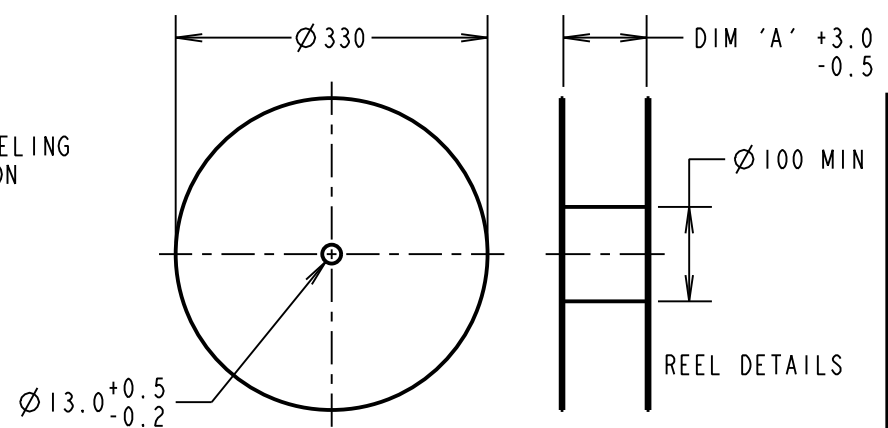
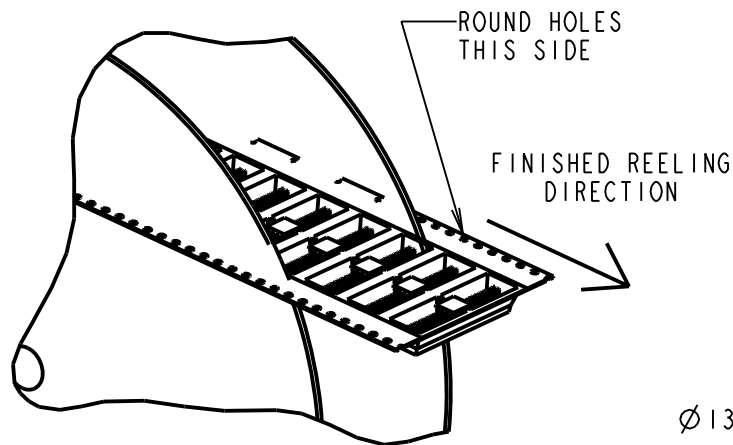


DETAILS FOR 04 AND 05 WAYS

REELED PART No.	DIM 'A'	DIM 'B'	DIM 'C'	DIM 'D'	REEL QTY
M50-3600242R	16.00	7.50	3.60	N/A	750
M50-3600342R			4.00		
M50-3600442R			5.40		
M50-3600542R			6.65		
M50-3600642R	24.00	11.50	7.90	750	
M50-3601042R			13.00		
M50-3602042R			25.70		
M50-3602542R	56.00	26.20	32.10	52.40	

Active products:

- M50-3600242R
- M50-3600342R
- M50-3600542R
- M50-3600642R
- M50-3601042R
- M50-3602542R



SB	ISS.	DATE	C/NOTE
13		20.12.17	20949
APPROVED:		S.BENNETT	
CHECKED:		F.McGOWAN	
DRAWN:		R.ADDE	
CUSTOMER REF.:			
ASSEMBLY DRG:			

- NOTES:
- CUMULATIVE TOLERANCES OVER 10 PITCHES = ±0.20mm
 - TAPE & REELING TO BE IN ACCORDANCE WITH EIA-481 (ELECTRONIC INDUSTRIES ASSOCIATION).
 - FOR CONNECTOR DETAILS SEE SHEET 4.

HARWIN

www.harwin.com
technical@harwin.com

THIS DRAWING AND ANY INFORMATION OR DESCRIPTIVE MATTER SET OUT HEREON ARE CONFIDENTIAL AND COPYRIGHT PROPERTY OF THE HARWIN GROUP AND MUST NOT BE DISCLOSED, LOANED, COPIED OR USED FOR MANUFACTURING, TENDERING OR FOR ANY OTHER PURPOSE WITHOUT THEIR WRITTEN PERMISSION.

TOLERANCES
X. = ±1mm
X.X = ±0.50mm
X.XX = ±0.10mm
X.XXX = ±0.01mm
ANGLES = ±5°
UNLESS STATED

MATERIAL:
SEE ABOVE
FINISH: SEE ABOVE
S/AREA: mm²

TITLE: 1.27mm PITCH DIL SMT VERT LOW PROFILE SOCKET ASSY (TAPE & REEL)

DRAWING NUMBER:
M50-360XX42R

SHT 3 OF 4

Customer Information Sheet

DRAWING No.: M50-360XX42R

SHEET 4 OF 4

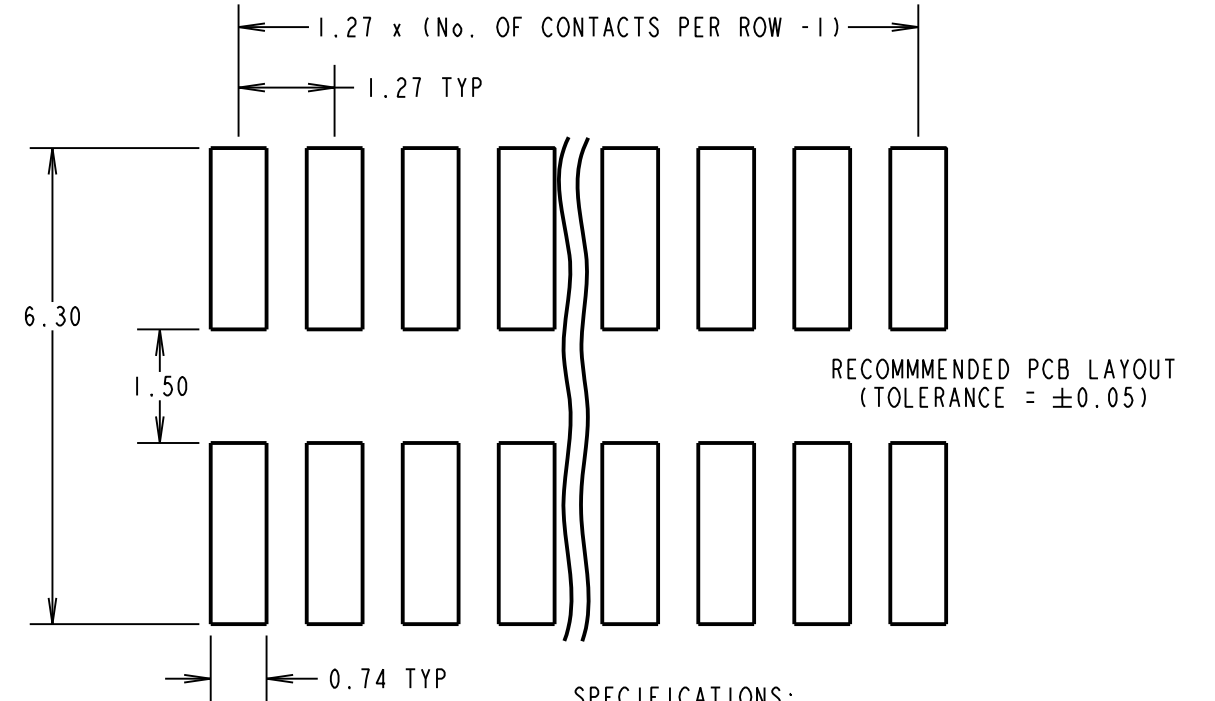
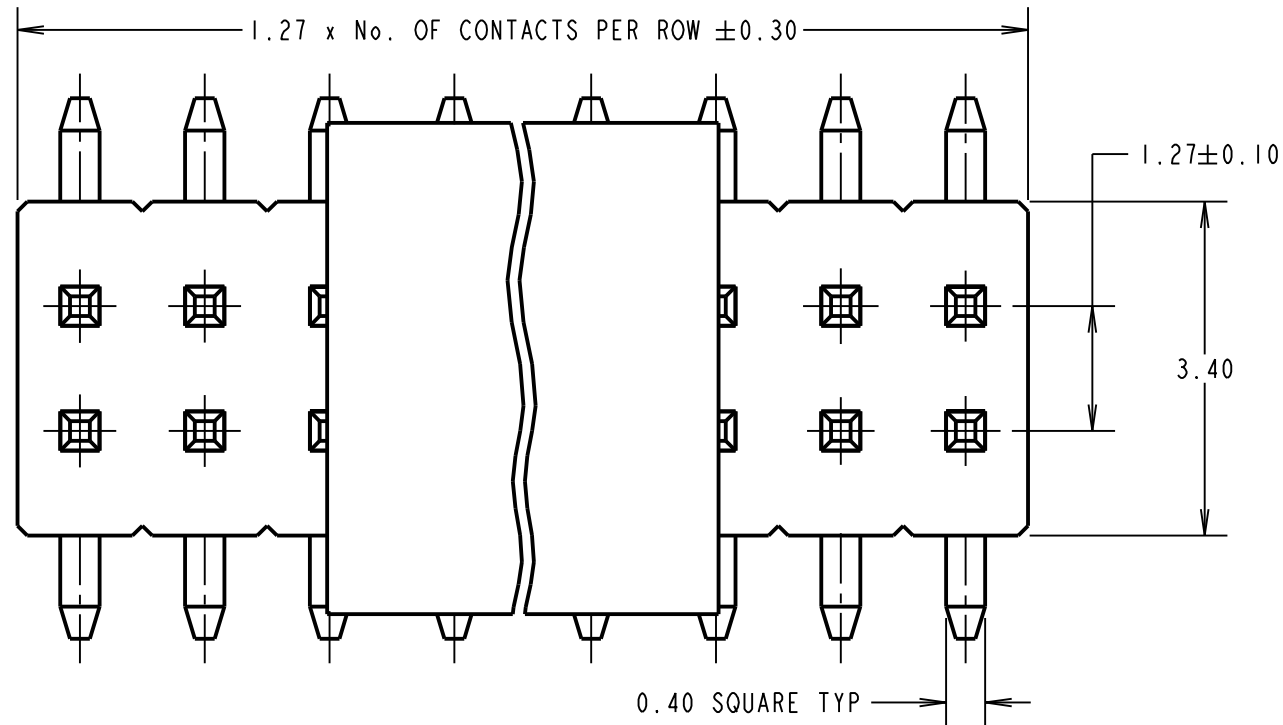
IF IN DOUBT - ASK

©

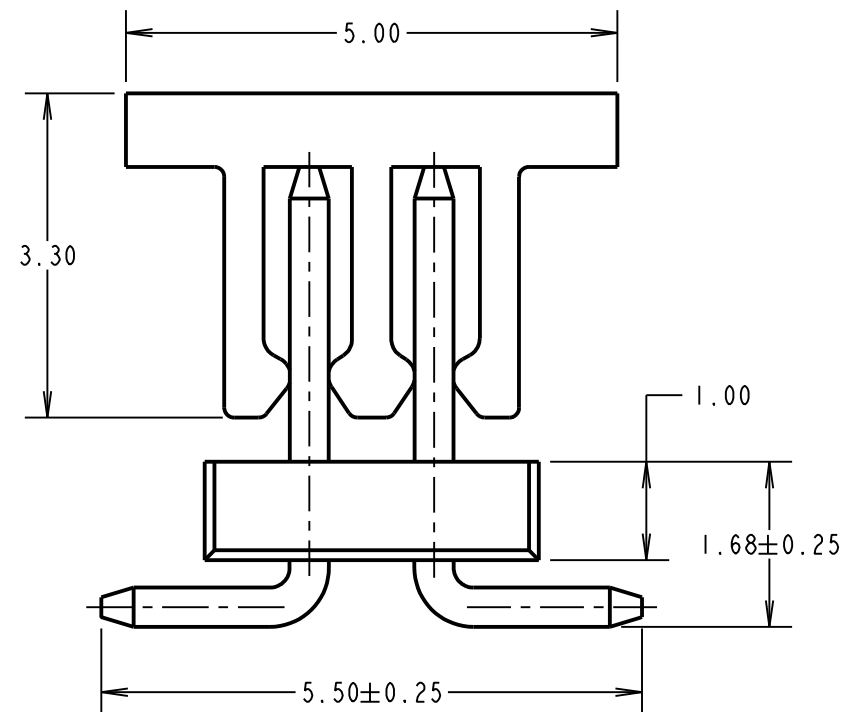
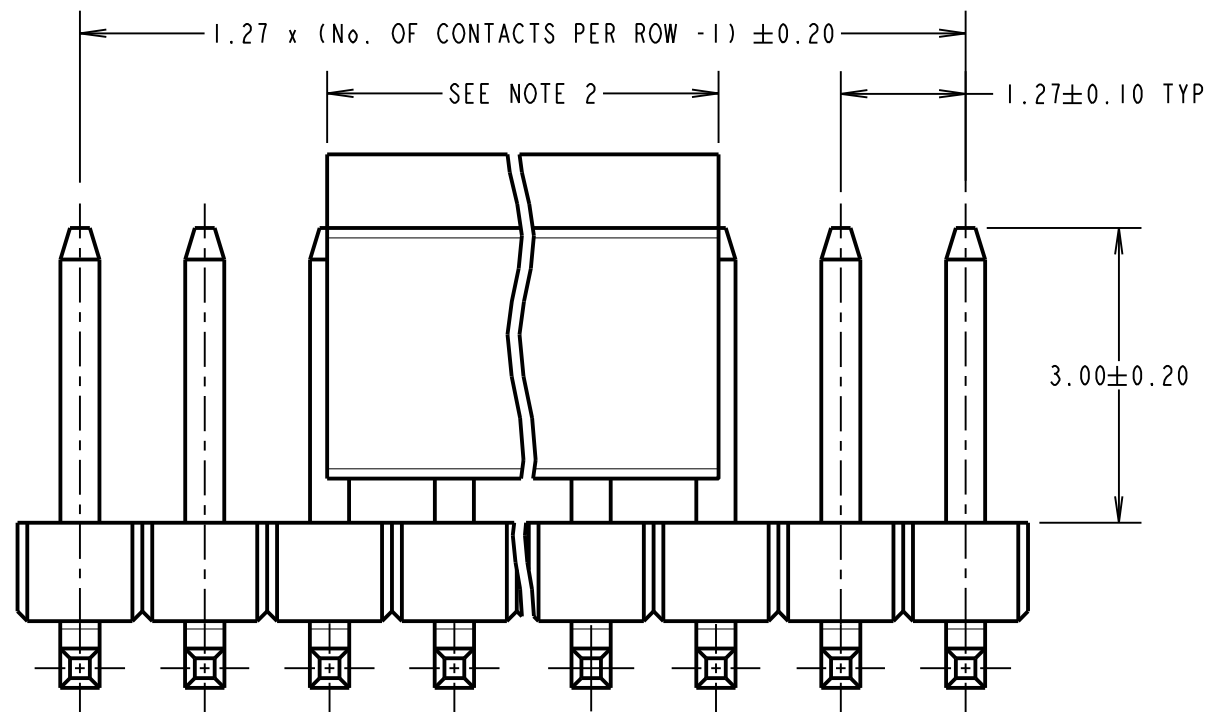
NOT TO SCALE

THIRD ANGLE PROJECTION

ALL DIMENSIONS IN mm



Active products:
M50-3600242R
M50-3600342R
M50-3600542R
M50-3600642R
M50-3601042R
M50-3602542R



SPECIFICATIONS:
MATERIAL:
MOULDING = HIGH TEMP THERMOPLASTIC, UL94V-0, BLACK
CONTACTS = COPPER ALLOY
FINISH:
CONTACTS = 0.70 TO 1.30µ NICKEL ALL OVER, 0.08 TO 0.15µ GOLD ON CONTACT AREA, 2.50 TO 3.00µ 100% TIN ON TAILS
ELECTRICAL:
CURRENT RATING = 1A
CONTACT RESISTANCE = 20mΩ MAX
INSULATION RESISTANCE = 1000MΩ MIN
DIELECTRIC WITHSTANDING = 1000V AC FOR ONE MINUTE
MECHANICAL:
DURABILITY = 300 CYCLES MIN
ENVIRONMENTAL:
TEMPERATURE RANGE = -40°C TO +105°C
PACKING:
BOX
FOR COMPLETE SPECIFICATION, SEE COMPONENT SPECIFICATION C029XX (LATEST ISSUE)

OBSOLETE
All other size/finish combinations not listed above

ORDER CODE:
M50-360XX42R
No. OF CONTACTS PER ROW: _____
02, 03, 04, 05, 06, 10, 20, 25
FINISH: _____
42 = SELECTIVE GOLD & 100% TIN OVER NICKEL

- NOTES:**
- CO-PLANARITY OF TAILS FOR 02 TO 30 CONTACTS PER ROW = 0.15mm, 31 TO 50 CONTACTS PER ROW = 0.20mm.
 - PICK AND PLACE CAP LENGTH = 3.60mm FOR 02 TO 05 CONTACTS PER ROW, 6.40mm FOR 06 TO 50 CONTACTS PER ROW.
 - ALL TOLERANCES ARE ±0.15, UNLESS OTHERWISE STATED.
 - FOR TAPE AND REEL DETAILS, SEE SHEET 3.

SB	13	20.12.17	20949
NAME	ISS.	DATE	C/NOTE
APPROVED:		S.BENNETT	
CHECKED:		F.McGOWAN	
DRAWN:		R.ADDE	
CUSTOMER REF.:			
ASSEMBLY DRG:			

HARWIN
www.harwin.com
technical@harwin.com

THIS DRAWING AND ANY INFORMATION OR DESCRIPTIVE MATTER SET OUT HEREON ARE CONFIDENTIAL AND COPYRIGHT PROPERTY OF THE HARWIN GROUP AND MUST NOT BE DISCLOSED, LOANED, COPIED OR USED FOR MANUFACTURING, TENDERING OR FOR ANY OTHER PURPOSE WITHOUT THEIR WRITTEN PERMISSION.

TOLERANCES
X = ±1mm
X.X = ±0.50mm
X.XX = ±0.10mm
X.XXX = ±0.01mm
ANGLES = ±5°
UNLESS STATED

MATERIAL:
SEE ABOVE
FINISH: SEE ABOVE
S/AREA: mm²

TITLE: 1.27mm PITCH DIL SMT VERT LOW PROFILE SOCKET ASSY (TAPE & REEL)
DRAWING NUMBER: M50-360XX42R
SHT 4 OF 4