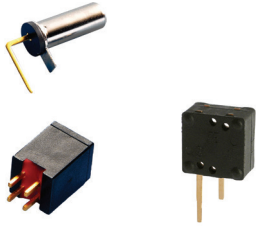


RB Series Rolling Ball Sensor Switch

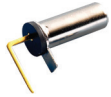


Features/Benefits

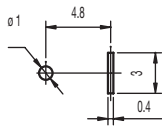
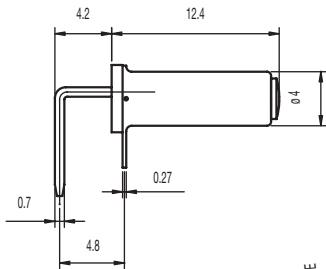
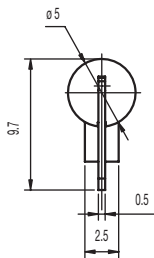
- Different angle options to trigger
- Ultra miniature design
- Patent awarded

Typical Applications

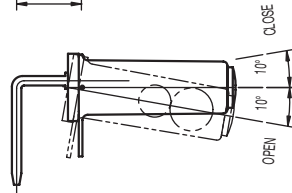
- Household goods
- Electronic toys
- Consumer electronics including irons, portable heaters, games, toys
- Safety and security controls



| PART NUMBER | PACKAGING |
|-----------------|--------------|
| RB-231X2 | 1,000 pieces |



PCB LAYOUT



Specifications

CONTACT ARRANGEMENT: SPST

SENSOR ANGLE: 0° to -10° scope inside, terminal to disconnection electric current

MINIMUM VOLTAGE: 1 VDC 10mA (resistive load)

MAXIMUM VOLTAGE: 5 VDC 1mA (resistive load)

OPERATING LIFE: 100,000 cycles

INSULATION RESISTANCE: 1000 M Ω min. @ 100 VDC

DIELECTRIC STRENGTH: 500 V AC (50-60 Hz)

OPERATING TEMPERATURE: -20°C to +70°C

Materials

FRAME: Copper alloy, nickel plated

COVER: PA 46 (UL94V-0).

MOVABLE CONTACT: Copper alloy, nickel plated

TERMINALS: Copper alloy, gold plated

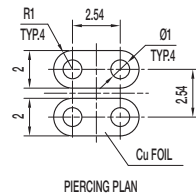
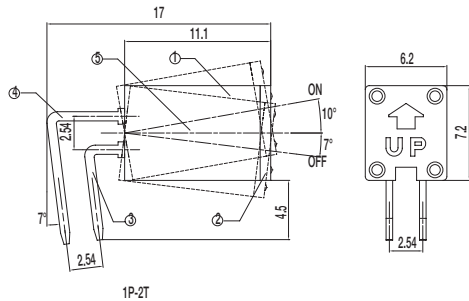
BRASS BALL: Brass, gold plated



Detect

RB Series Rolling Ball Sensor Switch

| PART NUMBER | PACKAGING |
|----------------|------------|
| RB-435B | 500 pieces |



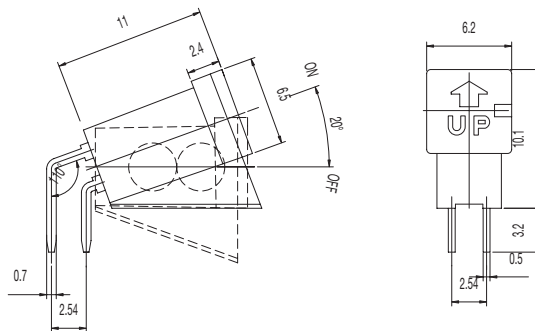
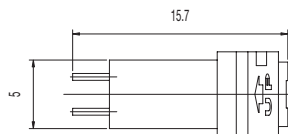
Specifications

CONTACT ARRANGEMENT: SPDT
 MINIMUM VOLTAGE: 1 VDC 10mA (resistive load)
 MAXIMUM VOLTAGE: 5 VDC 1mA (resistive load)
 OPERATING LIFE: 100,000 cycles
 INITIAL CONTACT RESISTANCE: 5 Ω max.
 INSULATION RESISTANCE: 1000 M Ω min. @ 500 VDC
 DIELECTRIC STRENGTH: 500 V AC (50-60 Hz)
 OPERATING TEMPERATURE: -20°C to +70°C

Materials

HOUSING: PA (UL94V-0)
 COVER: PA (UL94V-0)
 MOVABLE CONTACT: Copper alloy, nickel plated
 TERMINALS: Gold plated
 BALL: Steel, gold plated

| PART NUMBER | PACKAGING |
|--------------------|------------|
| RB-435X2-20 | 500 pieces |



Specifications

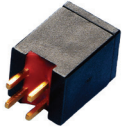
CONTACT ARRANGEMENT: SPDT
 SENSOR ANGLE: -20° to -30° scope inside, terminal to disconnection electric current
 MINIMUM VOLTAGE: 1 VDC 10mA (resistive load)
 MAXIMUM VOLTAGE: 5 VDC 1mA (resistive load)
 OPERATING LIFE: 100,000 cycles
 INSULATION RESISTANCE: 1000 M Ω min. @ 100 VDC
 DIELECTRIC STRENGTH: 500 V AC (50-60 Hz)
 OPERATING TEMPERATURE: -20°C to +70°C

Materials

HOUSING: PBT (UL94V-0)
 COVER: PBT (UL94V-0)
 TERMINALS: Gold plated
 BALL: Steel, gold plated

Detect

RB Series Rolling Ball Sensor Switch



| PART NUMBER | PACKAGING |
|------------------|-------------|
| RB-441-45 | 1500 pieces |

Specifications

CONTACT ARRANGEMENT: SPDT

MAXIMUM VOLTAGE: 24 VDC 25mA (resistive load)

OPERATING LIFE: 100,000 cycles

INSULATION RESISTANCE: 1000 M Ω min. @ 100 VDC

DIELECTRIC STRENGTH: 500 V AC (50-60 Hz)

OPERATING TEMPERATURE: -20°C to +70°C

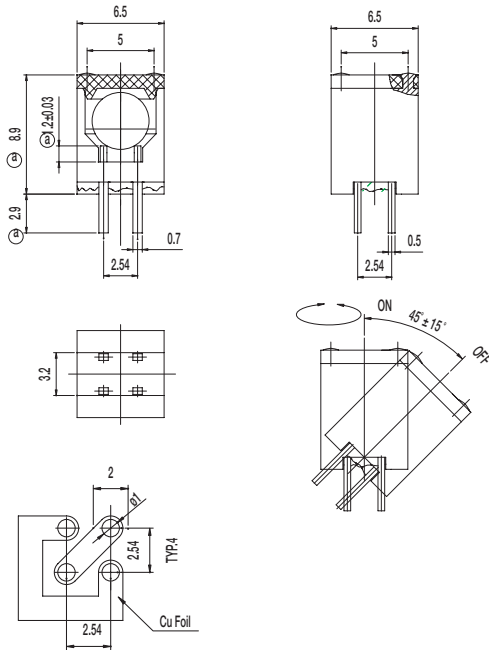
Materials

HOUSING: PBT (UL94V-0)

COVER: PBT (UL94V-0)

TERMINALS: Gold plated

BALL: Gold plated



PCB LAYOUT



Detect