

Customer Information Sheet

DRAWING No.: S9111-45R

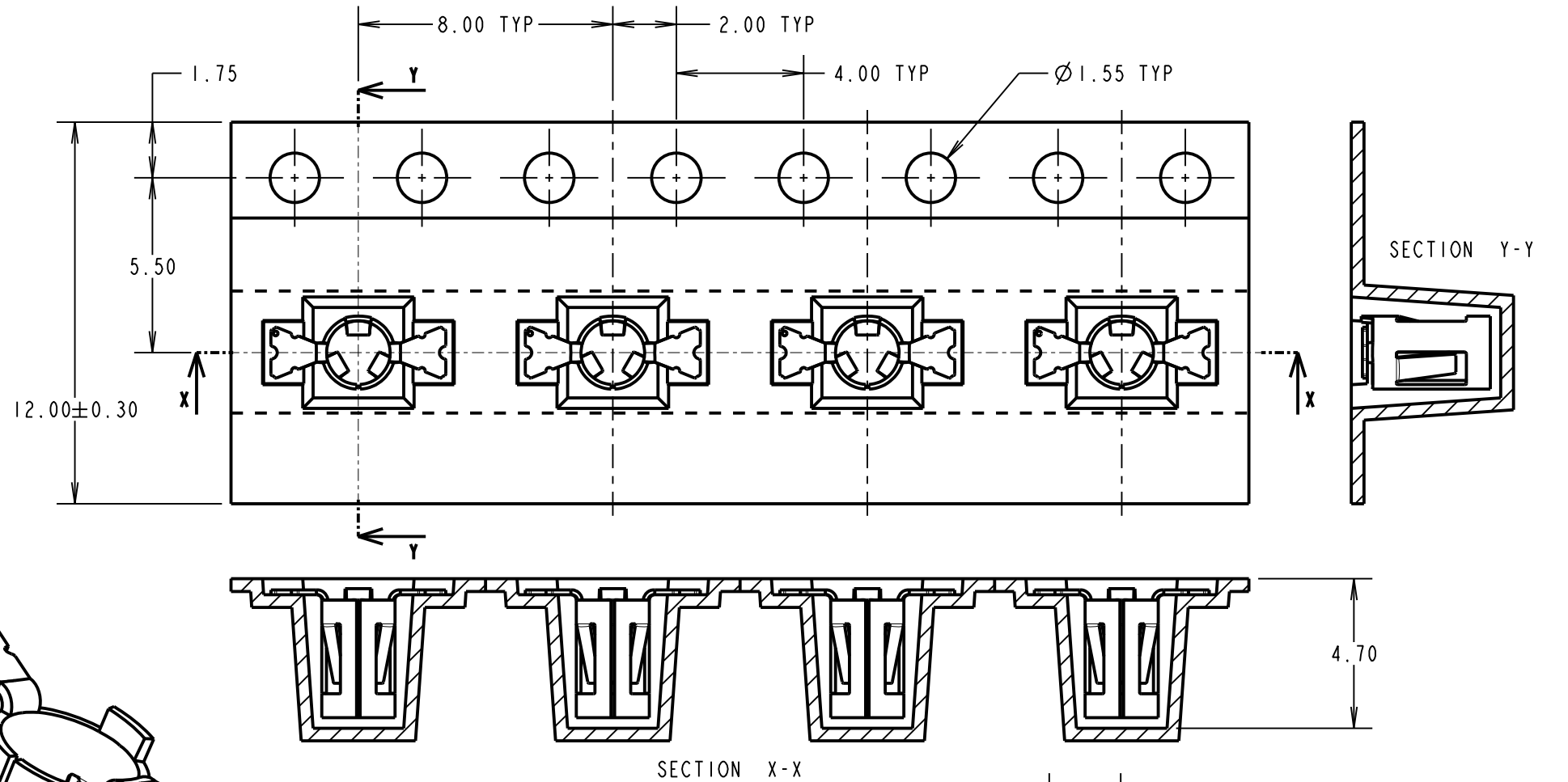
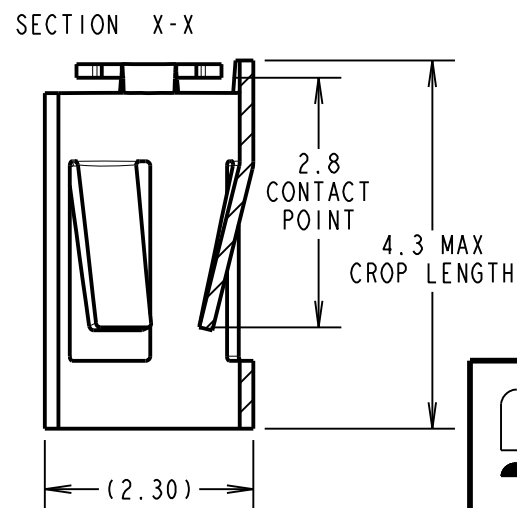
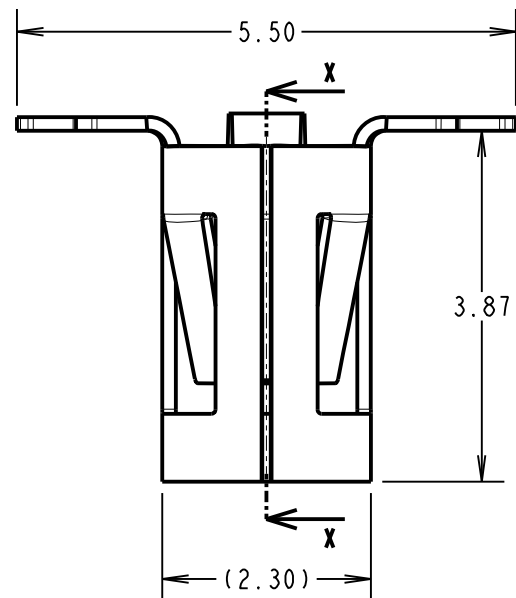
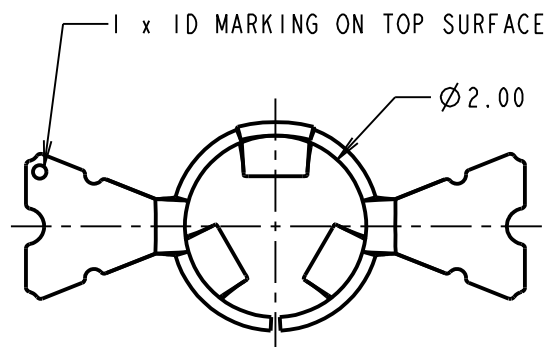
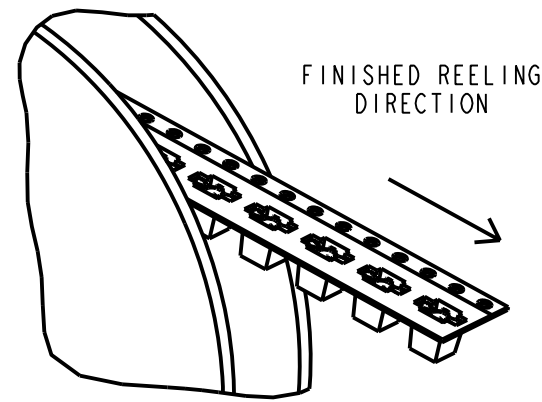
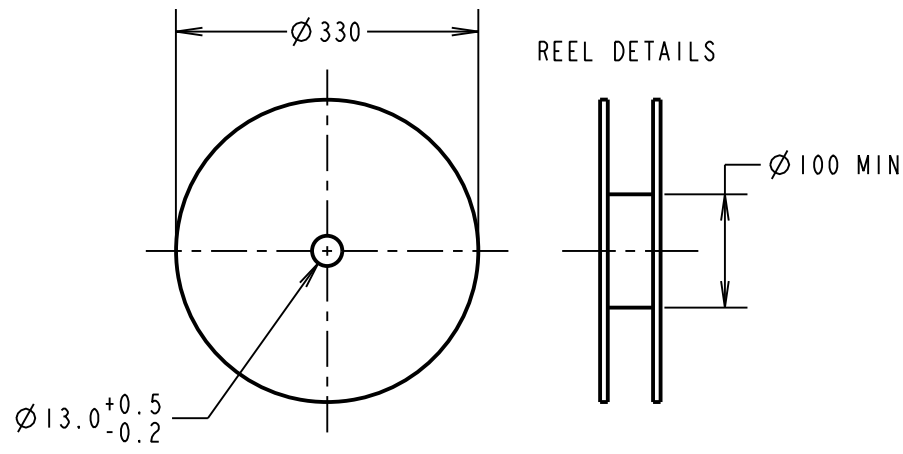
IF IN DOUBT - ASK

©

NOT TO SCALE

THIRD ANGLE PROJECTION

ALL DIMENSIONS IN mm

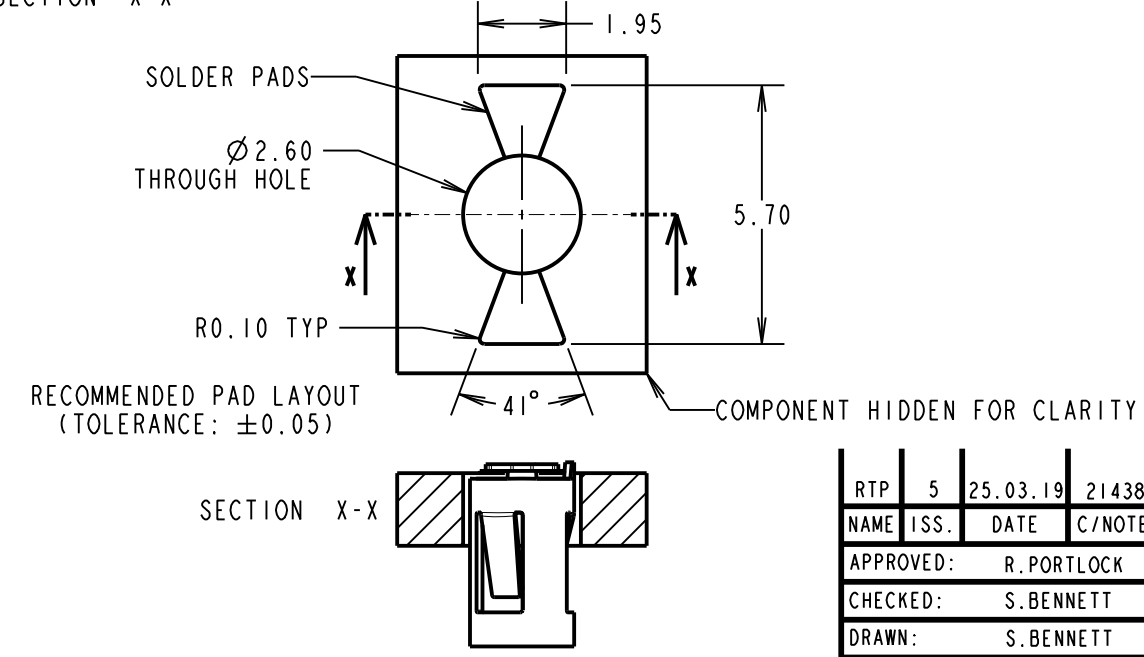


COMPONENT SPECIFICATION
 MATERIAL = BERYLLIUM COPPER
 FINISH = 0.10 μ m - 0.17 μ m GOLD OVER
 1.0 μ m MIN NICKEL

ELECTRICAL:
 CURRENT RATING = 6A
 CONTACT RESISTANCE = 15m Ω MAX

MECHANICAL:
 MAX INSERTION FORCE:
 $\varnothing 1.50\text{mm PIN} = 3.5\text{N}$
 $\varnothing 1.90\text{mm PIN} = 17.0\text{N}$
 MIN WITHDRAWAL FORCE:
 $\varnothing 1.50\text{mm PIN} = 0.5\text{N}$
 $\varnothing 1.90\text{mm PIN} = 1.0\text{N}$
 DURABILITY = 500 CYCLES

ENVIRONMENTAL:
 OPERATING TEMPERATURE = -50 $^{\circ}$ C TO +125 $^{\circ}$ C



NOTES:
 1. QUANTITY OF COMPONENTS PER REEL = 1400.
 2. THIS PRODUCT IS TAPED AND REELED IN GENERAL ACCORDANCE WITH EIA-481-2 (ELECTRONICS INDUSTRIES ASSOCIATION).

RTP	5	25.03.19	21438
NAME	ISS.	DATE	C/NOTE
APPROVED:		R.PORTLOCK	
CHECKED:		S.BENNETT	
DRAWN:		S.BENNETT	
CUSTOMER REF.:			
ASSEMBLY DRG:			

<p>www.harwin.com technical@harwin.com</p>	THIS DRAWING AND ANY INFORMATION OR DESCRIPTIVE MATTER SET OUT HEREON ARE CONFIDENTIAL AND COPYRIGHT PROPERTY OF THE HARWIN GROUP AND MUST NOT BE DISCLOSED, LOANED, COPIED OR USED FOR MANUFACTURING, TENDERING OR FOR ANY OTHER PURPOSE WITHOUT THEIR WRITTEN PERMISSION.	TOLERANCES X. = $\pm 1\text{mm}$ X.X = $\pm 0.50\text{mm}$ X.XX = $\pm 0.20\text{mm}$ X.XXX = $\pm 0.01\text{mm}$ ANGLES = $\pm 5^{\circ}$ UNLESS STATED	MATERIAL: SEE ABOVE FINISH: SEE ABOVE S/AREA: mm ²	TITLE: SYCAMORE CONTACT $\varnothing 1.50\text{mm}$ TOP ENTRY SOCKET IN TAPE & REEL DRAWING NUMBER: S9111-45R	SHT 2 OF 2
		www.harwin.com technical@harwin.com		S9111-45R	