

1

2

3

4

A

A

B

B

C

C

D

D

U_DDR3-RAM
DDR3-RAM.SchDoc

U_Ethernet
Ethernet.SchDoc

U_USB-PHY
USB-PHY.SchDoc

U_SOC
SOC.SchDoc

U_CPLD
CPLD.SchDoc

U_POWER2
POWER2.SchDoc

U_HyperFlash_RAM
HyperFlash_RAM.SchDoc

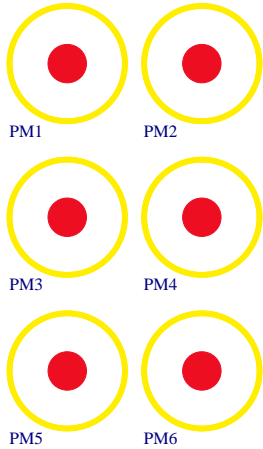
U_Clock
Clock.SchDoc

U_eMMC
eMMC.SchDoc

U_Connectors
Connectors.SchDoc

U_POWER
POWER.SchDoc

LOGO1
TE Logo PRINT Layer
LOGO PRINT



Serial
Serialnumber 6,3 x 6.3mm



Title: TE0782 - Overview		
A4	Number: TE0782 92I33FH	Rev. 02
Date: 2015-05-27	Copyright: Trenz Electronic GmbH	Page1 of 31
Filename: TE0782.SchDoc		

1

2

3

4

1

2

3

4

U_HSMC_CONN_J1
HSMC_CONN_J1.SchDoc



U_HSMC_CONN_J2
HSMC_CONN_J2.SchDoc



U_HSMC_CONN_J3
HSMC_CONN_J3.SchDoc



A

A

B


B

C

C

D

D

			Title: TE0782 - Connectors		
			A4	Number: TE0782 92I33FH	Rev. 02
Date: 2015-05-27		Copyright: Trenz Electronic GmbH		Page2 of 31	
Filename: Connectors.SchDoc					

1

2

3

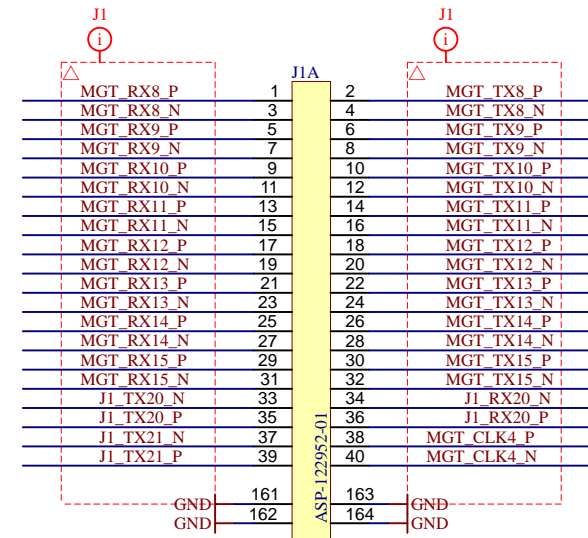
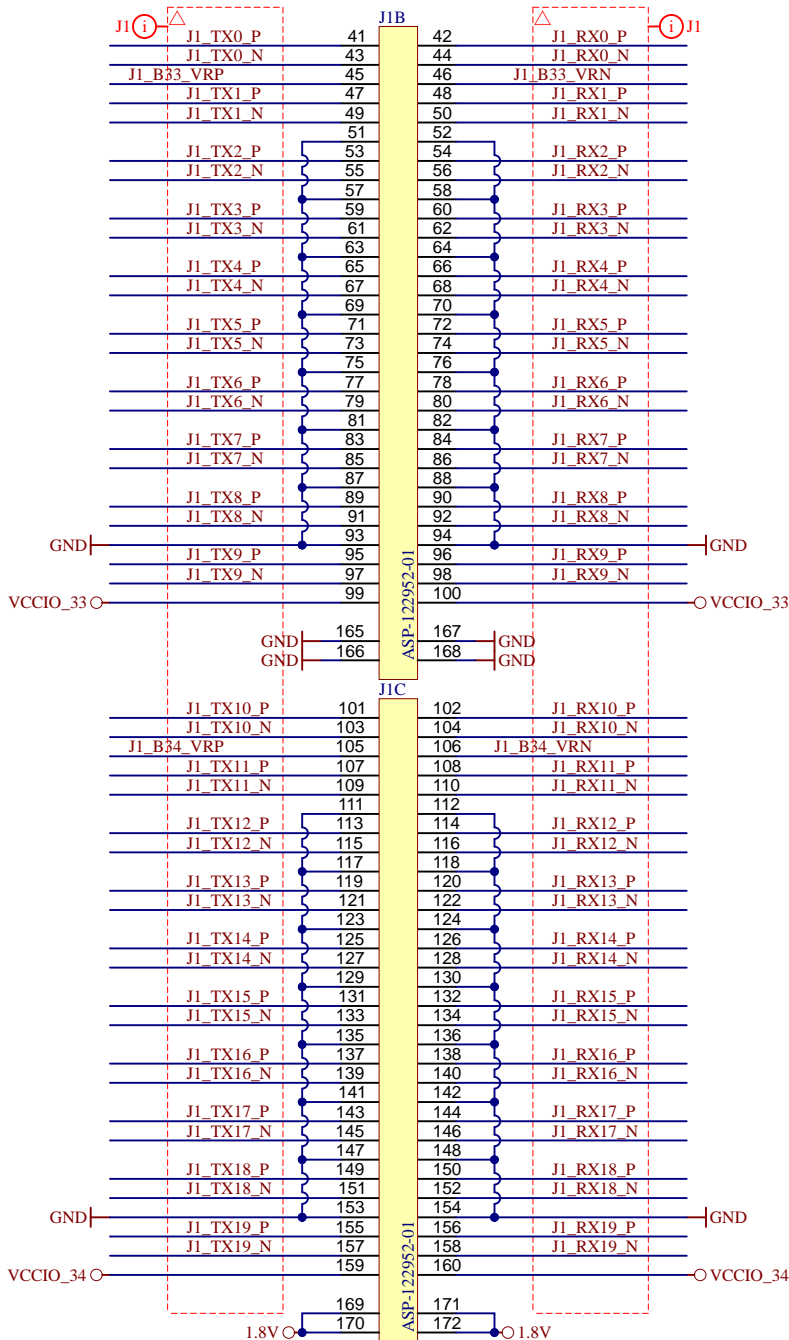

4

1

2

3

4

Title: TE0782 - HSMC_Connector_J1		
A4	Number: TE0782 92I33FH	Rev. 02
Date: 2015-05-27	Copyright: Trenz Electronic GmbH	Page3 of 31
Filename: HSMC_CONN_J1.SchDoc		

1

2

3

4

A

A

B

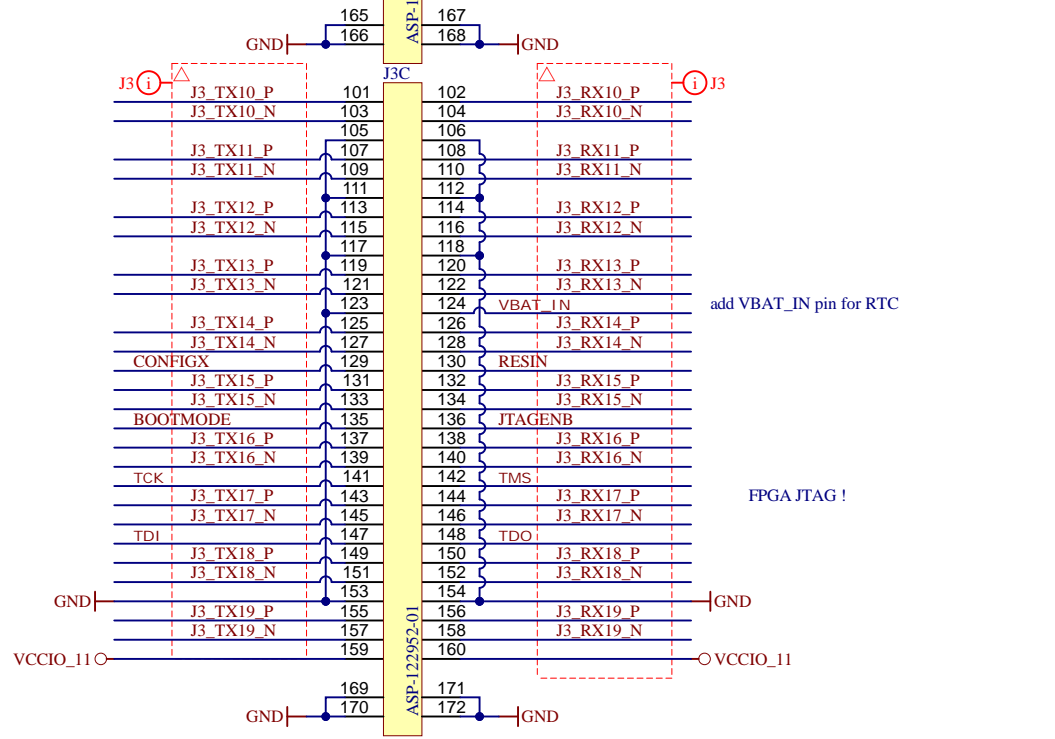
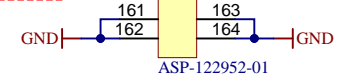
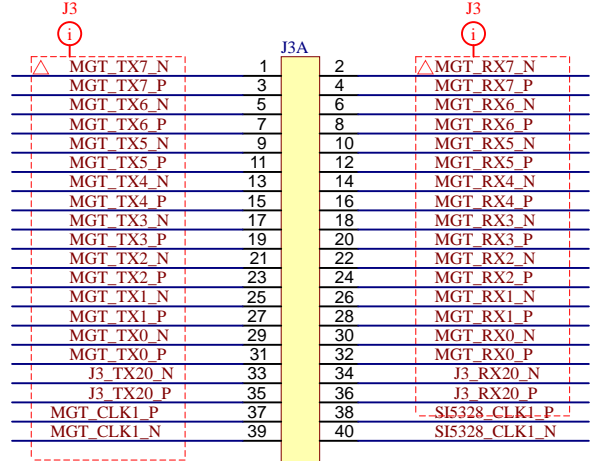
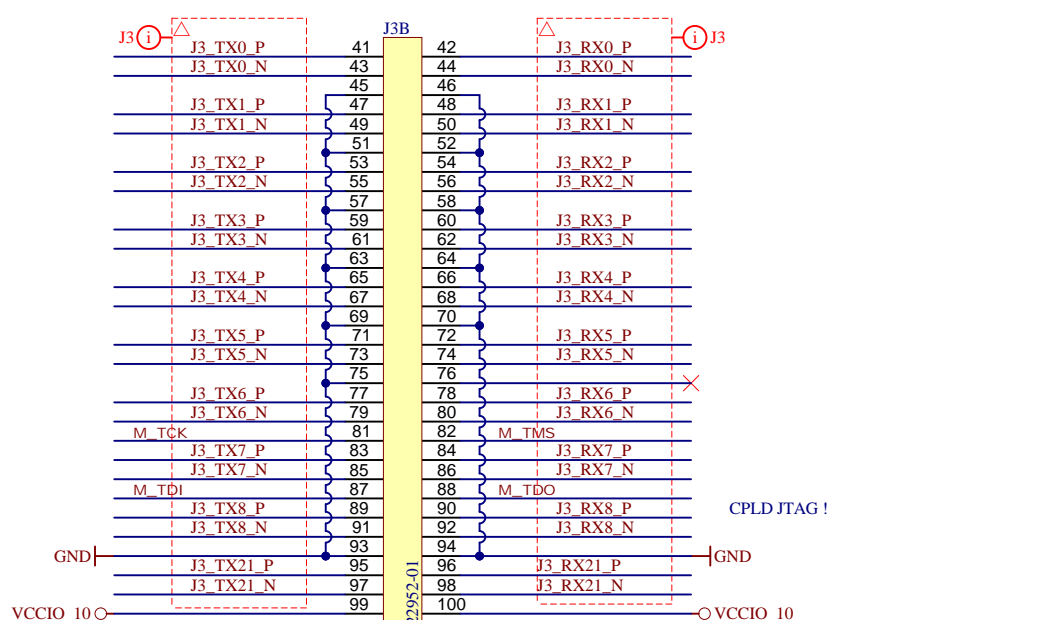
B

C

C

D

D



Title: TE0782 - HSMC_Connector_J3		
A4	Number: TE0782 92I33FH	Rev. 02
Date: 2015-05-27	Copyright: Trenz Electronic GmbH	Page 4 of 31
Filename: HSMC_CONN_J3.SchDoc		

1

2

3

4

A

A

B

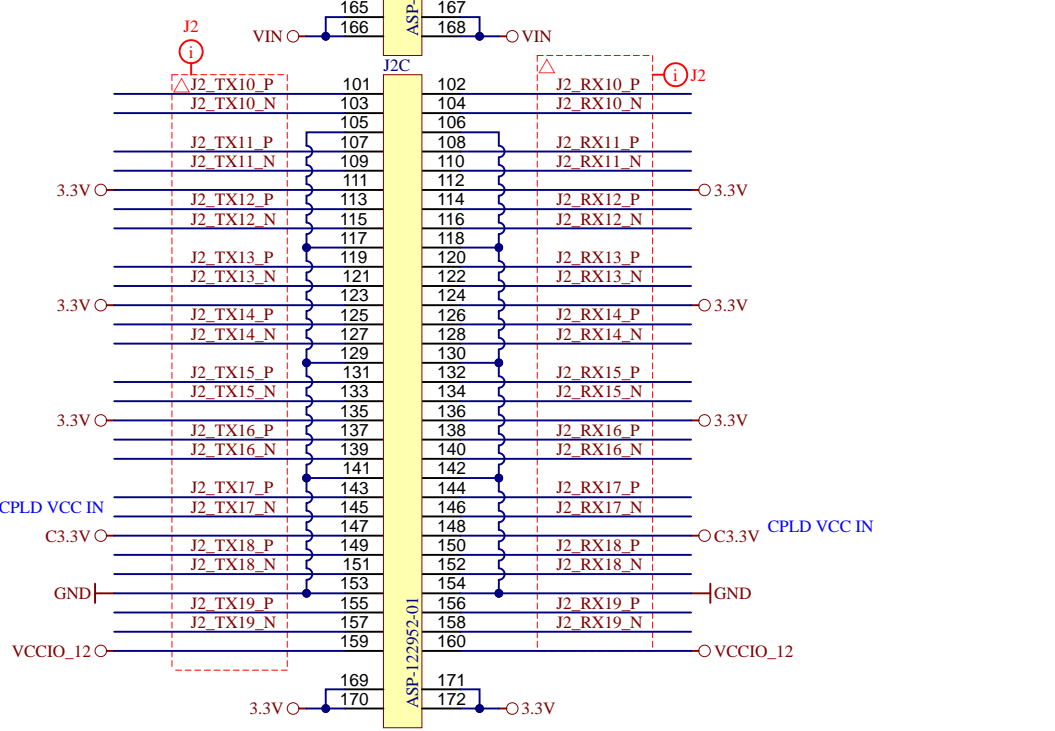
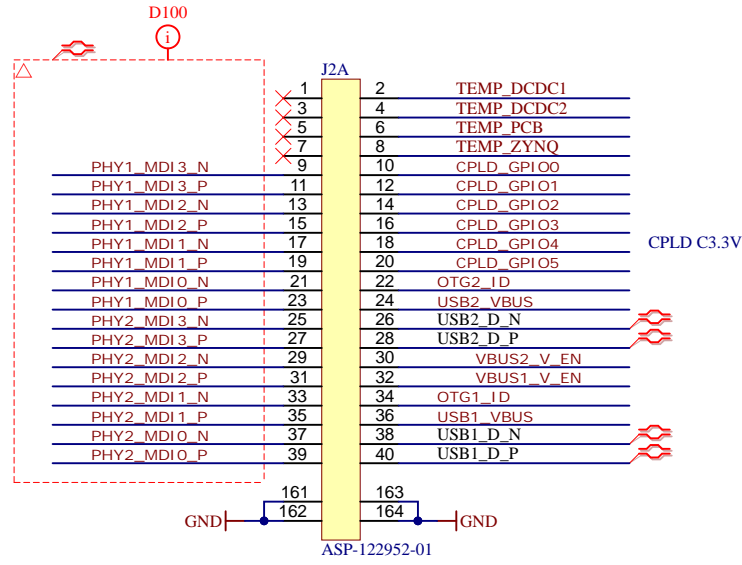
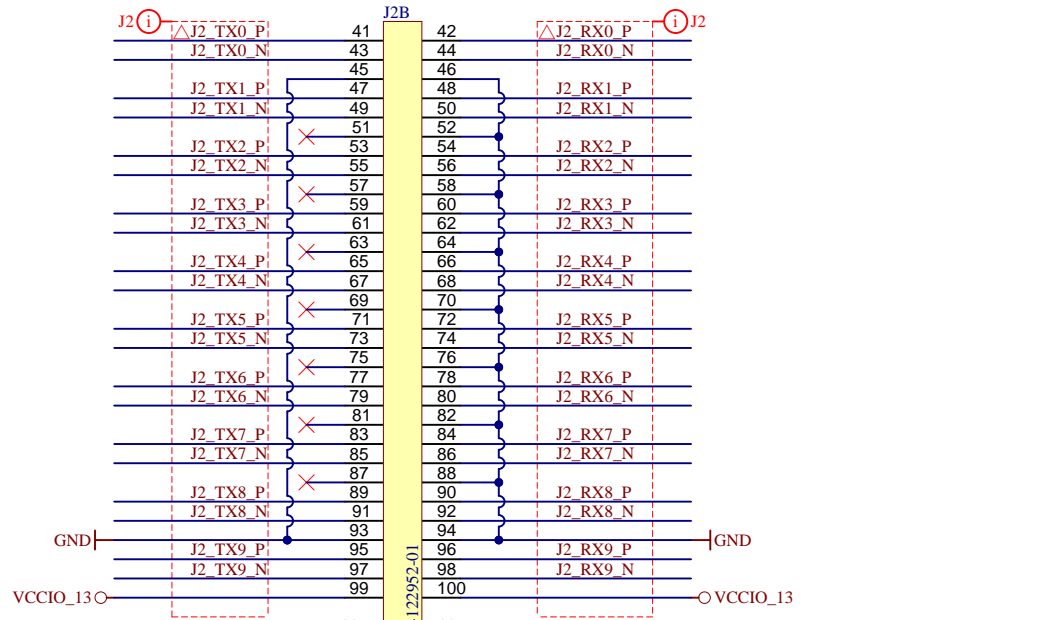
B

C

C

D

D



Title: TE0782 - HSMC_Connector_J2		
A4	Number: TE0782 92I33FH	Rev. 02
Date: 2015-05-27	Copyright: Trenz Electronic GmbH	Page5 of 31
Filename: HSMC_CONN_J2.SchDoc		

1

2

3

4

1

2

3

4

A

A

U_PS-DDR
PS-DDR.SchDoc



U_B9
B9.SchDoc



U_MIO-BANKS
MIO-BANKS.SchDoc



U_B10
B10.SchDoc



U_HP-BANKS
HP-BANKS.SchDoc



U_B11
B11.SchDoc



B

B

U_FPGA-MGT
FPGA-MGT.SchDoc



U_B12
B12.SchDoc



U_FPGA-CFG
FPGA-CFG.SchDoc



U_B13
B13.SchDoc



C


C

U_FPGA-PWR
FPGA-PWR.SchDoc



D

D

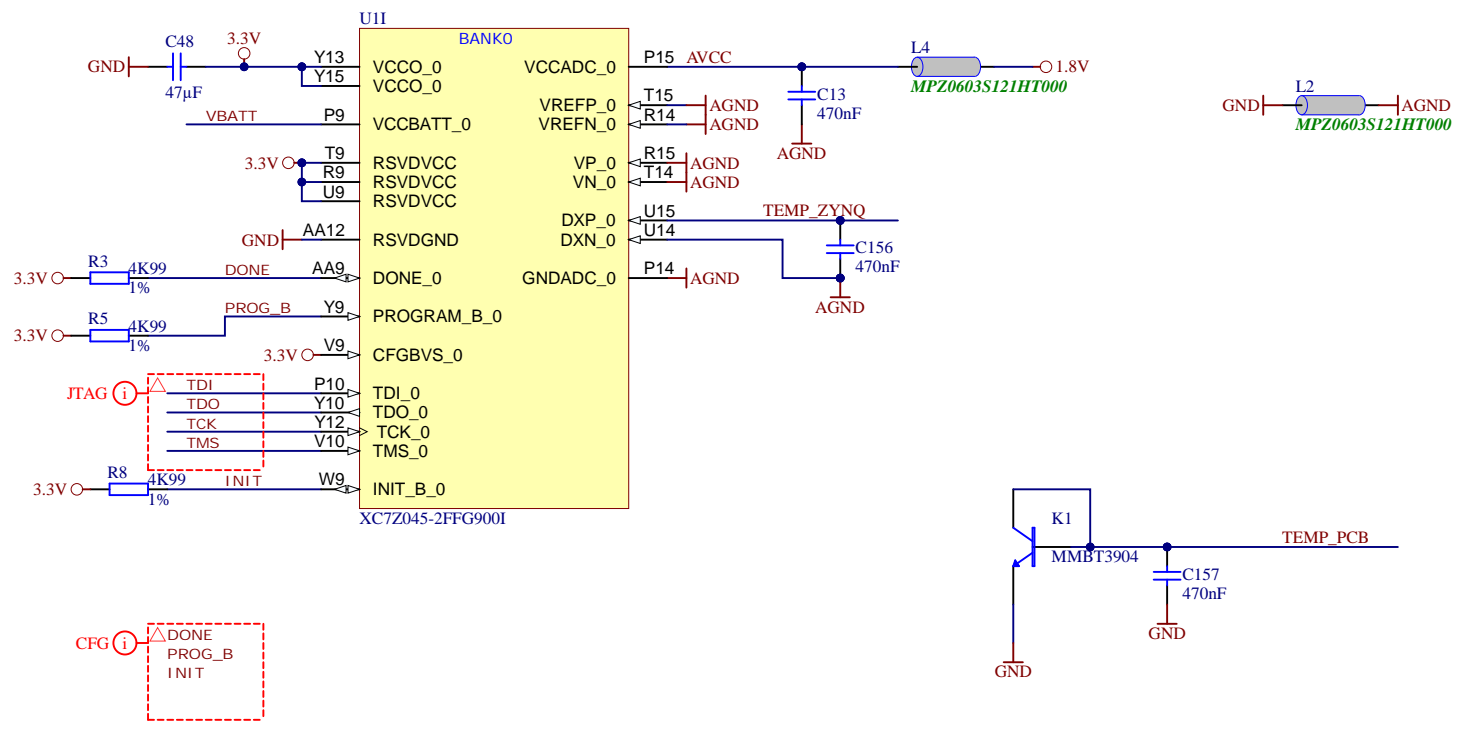
			Title: TE0782 - SOC		
			A4	Number: TE0782 92I33FH	Rev. 02
Date: 2015-05-27		Copyright: Trenz Electronic GmbH		Page6 of 31	
Filename: SOC.SchDoc					


1

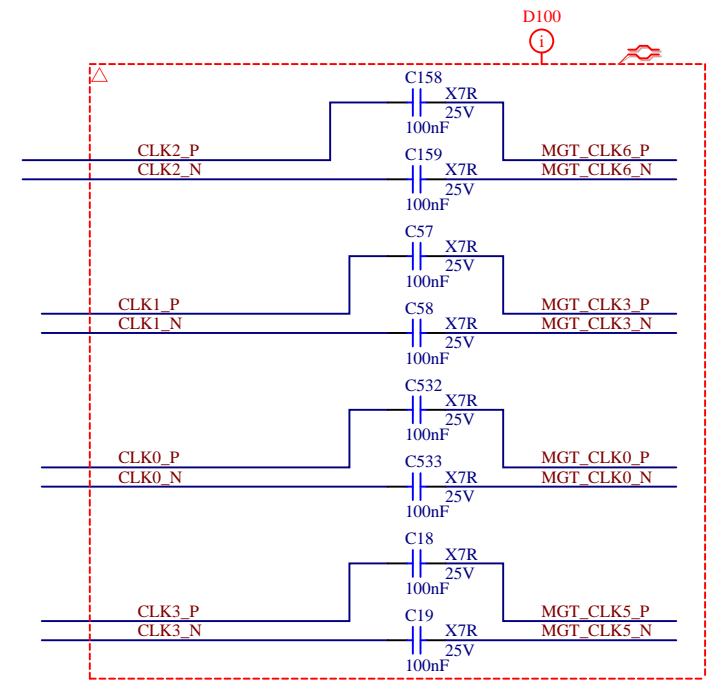
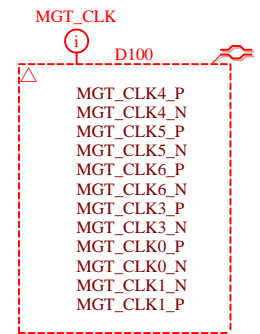
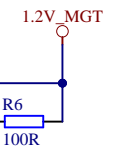
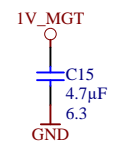
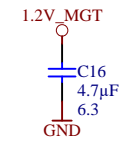
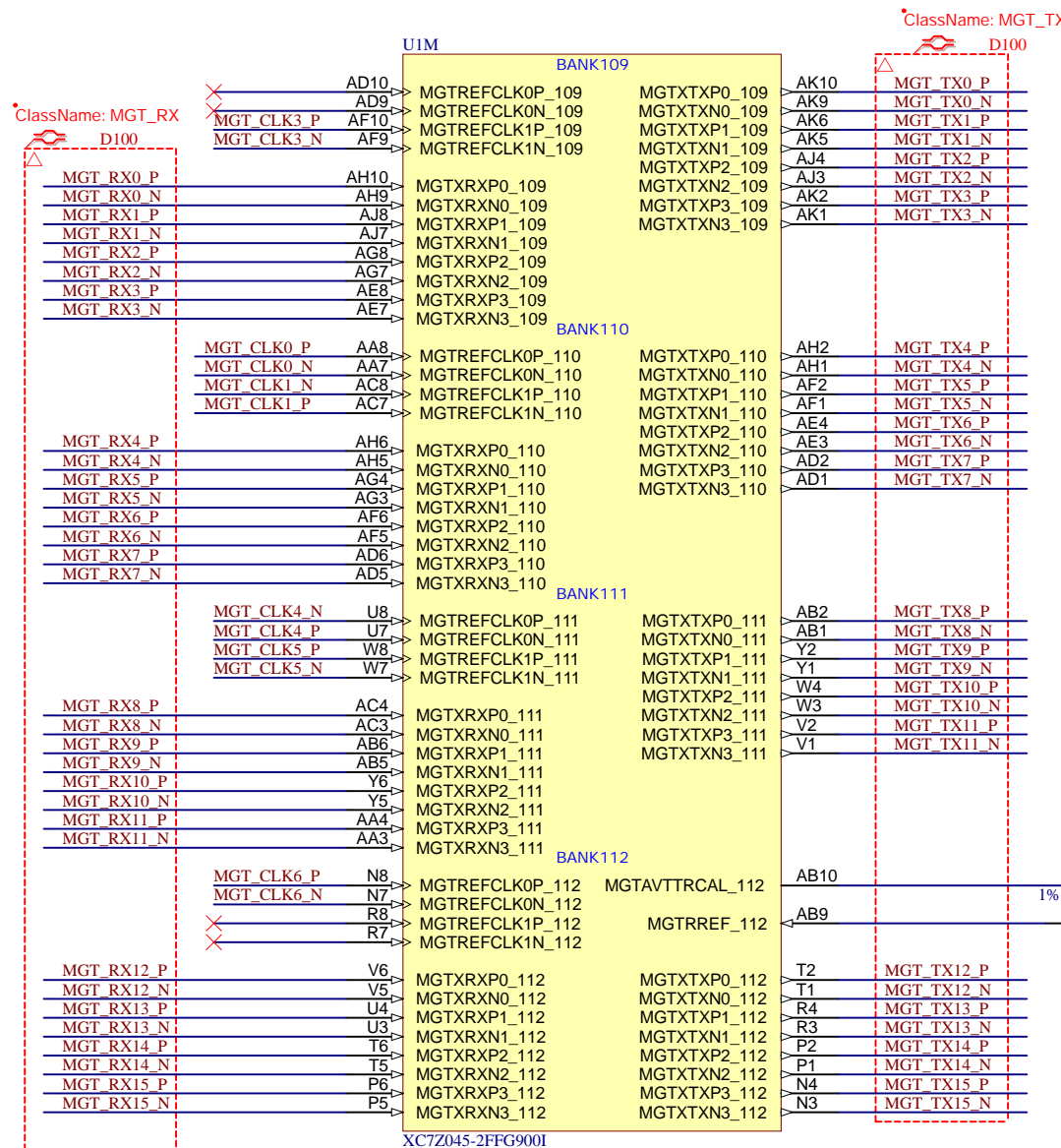
2

3

4



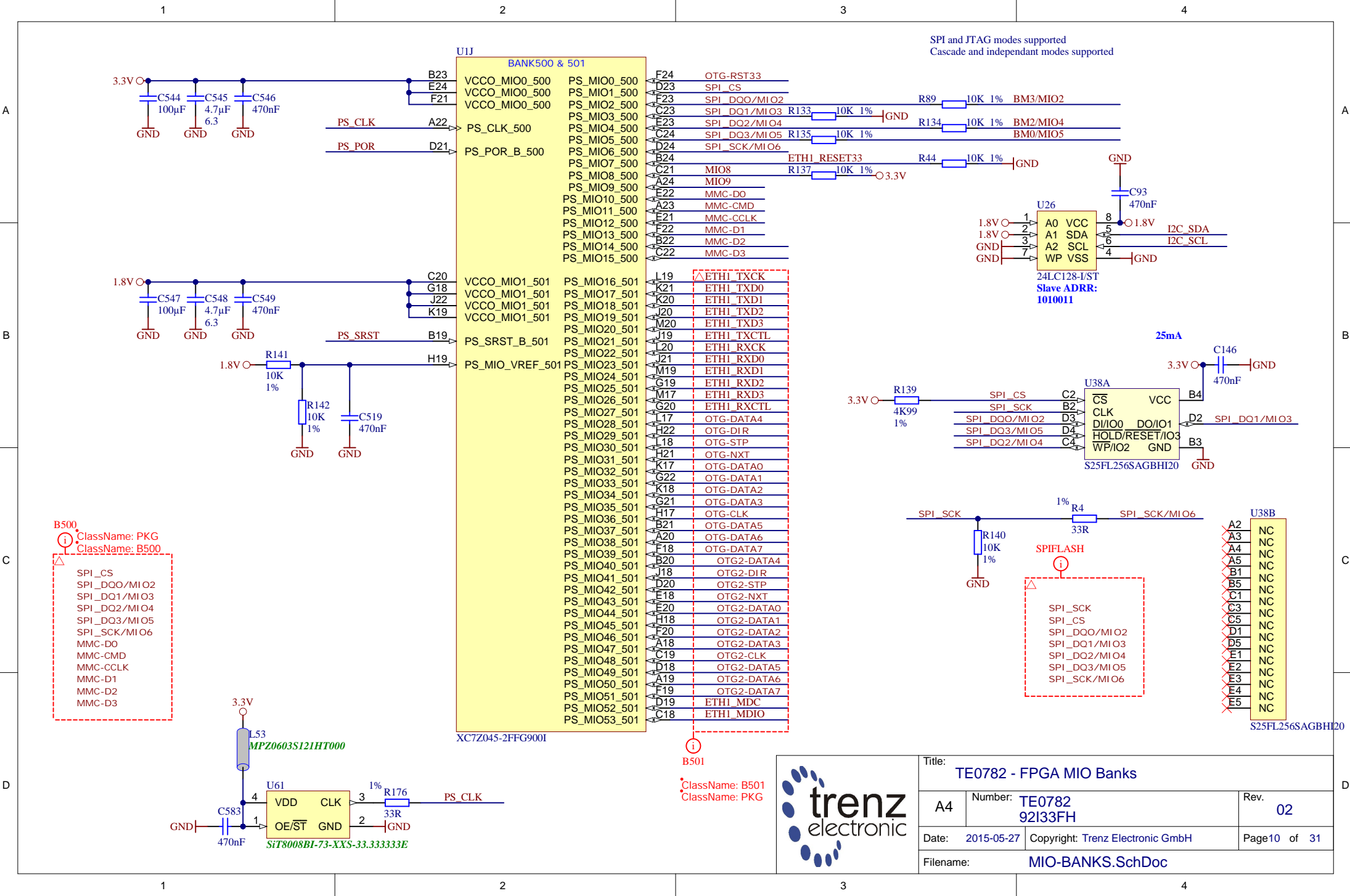
		Title: TE782 - FPGA Configuration	
		A4	Nummer: TE0782 92I33FH
Datum: 2015-05-27		Zeichner: Trenz Electronic GmbH	
Filename: FPGA-CFG.SchDoc		Blatt 7 von 31	



XC7Z045-2FFG900I



Title: TE0782 - FPGA MGT		
A4	Number: TE0782 92I33FH	Rev. 02
Date: 2015-05-27	Copyright: Trenz Electronic GmbH	Page9 of 31
Filename: FPGA-MGT.SchDoc		

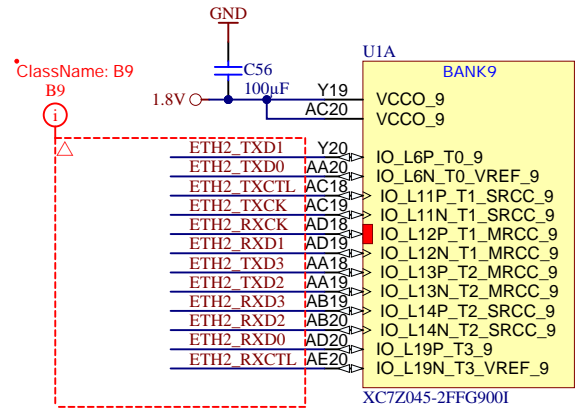


Title: TE0782 - FPGA MIO Banks		
A4	Number: TE0782 92I33FH	Rev. 02
Date: 2015-05-27	Copyright: Trenz Electronic GmbH	Page 10 of 31
Filename: MIO-BANKS.SchDoc		


- B500**
- ClassName: PKG
 - ClassName: B500
 - SPI_CS
 - SPI_DQ0/MIO2
 - SPI_DQ1/MIO3
 - SPI_DQ2/MIO4
 - SPI_DQ3/MIO5
 - SPI_SCK/MIO6
 - MMC-D0
 - MMC-CMD
 - MMC-CCLK
 - MMC-D1
 - MMC-D2
 - MMC-D3

- SPIFLASH**
- SPI_SCK
 - SPI_CS
 - SPI_DQ0/MIO2
 - SPI_DQ1/MIO3
 - SPI_DQ2/MIO4
 - SPI_DQ3/MIO5
 - SPI_SCK/MIO6

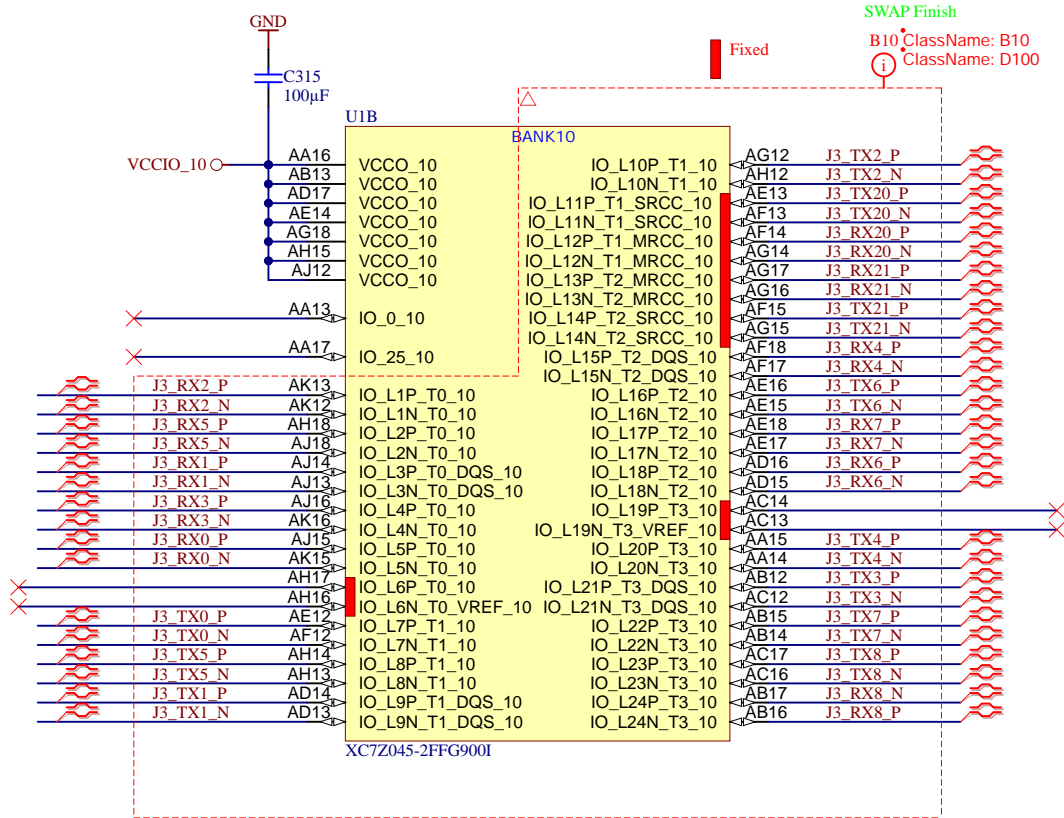
- U38B**
- A2 NC
 - A3 NC
 - A4 NC
 - A5 NC
 - B1 NC
 - B5 NC
 - C1 NC
 - C3 NC
 - C5 NC
 - D1 NC
 - D5 NC
 - E1 NC
 - E2 NC
 - E3 NC
 - E4 NC
 - E5 NC



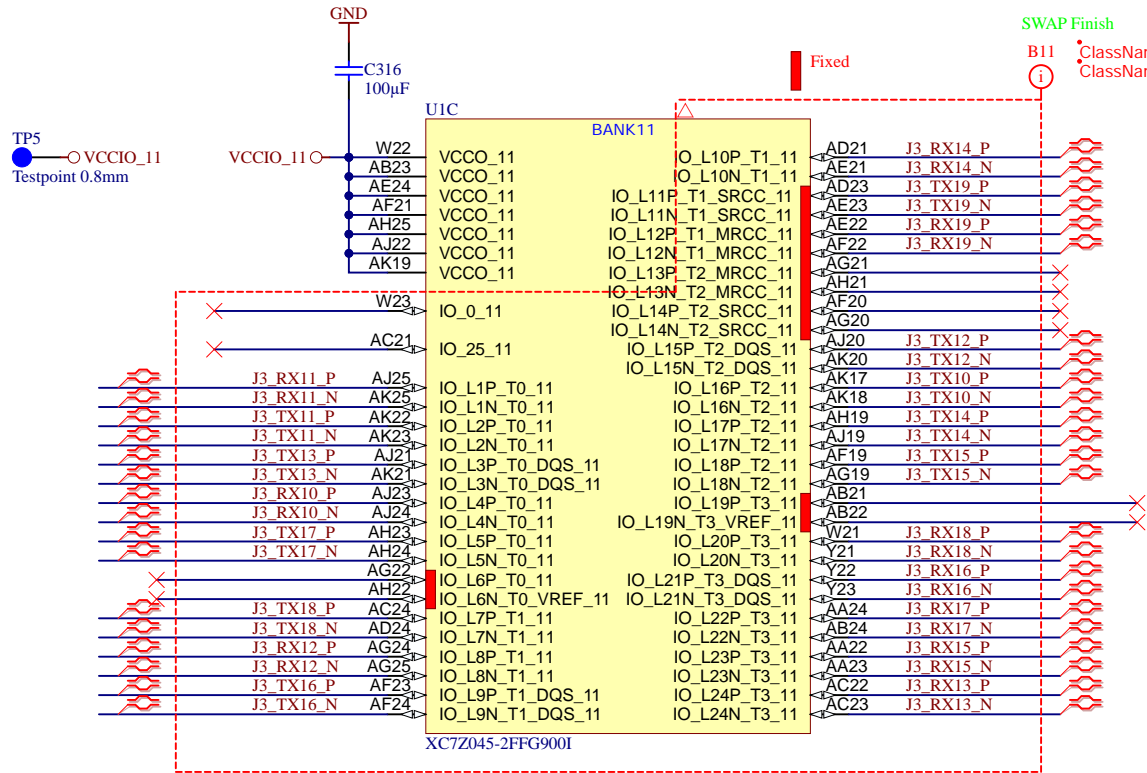
RXCK Fix to MRCCL
 Fixed


	Title: TE0782 - FPGA B9		
	A4	Number: TE0782 92I33FH	Rev. 02
	Date: 2015-05-27	Copyright: Trenz Electronic GmbH	Page 11 of 31
	Filename: B9.SchDoc		


TP4
 ● ○ VCCIO_10
 Testpoint 0.8mm

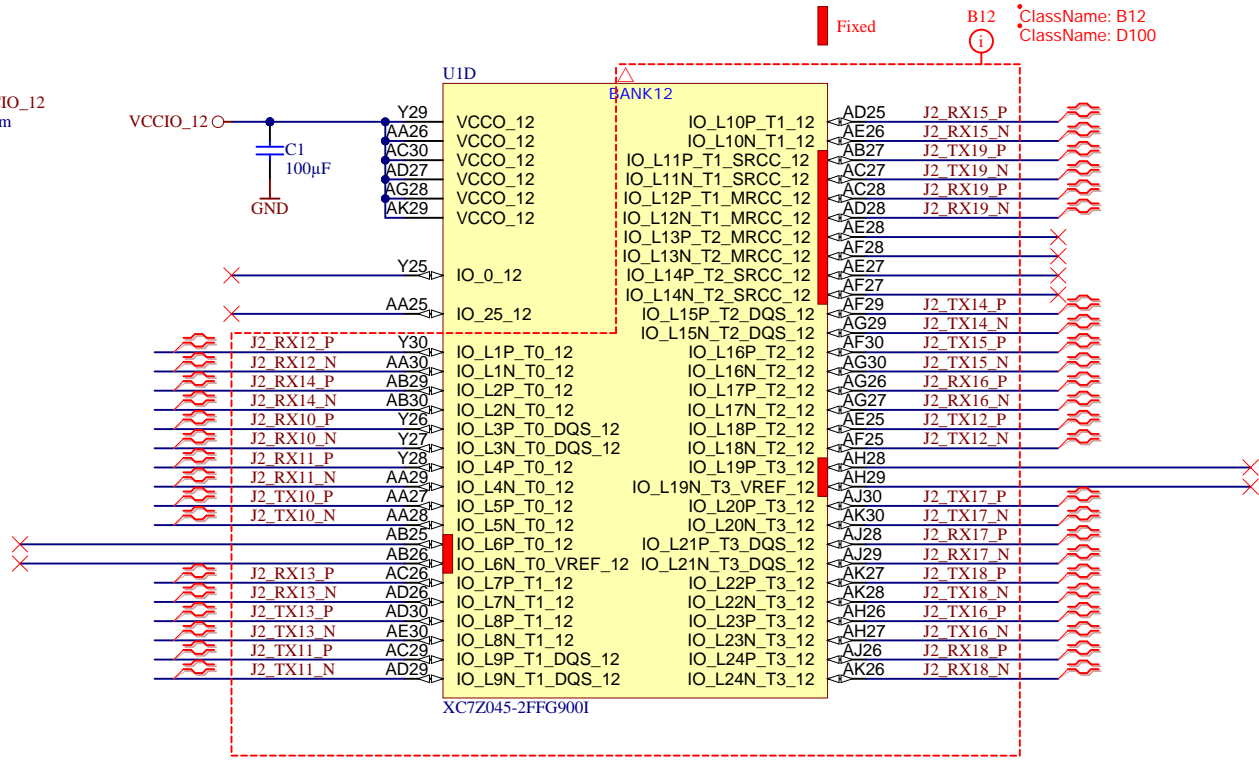


Title: TE0782 - FPGA B10		
A4	Number: TE0782 92I33FH	Rev. 02
Date: 2015-05-27	Copyright: Trenz Electronic GmbH	Page 12 of 31
Filename: B10.SchDoc		

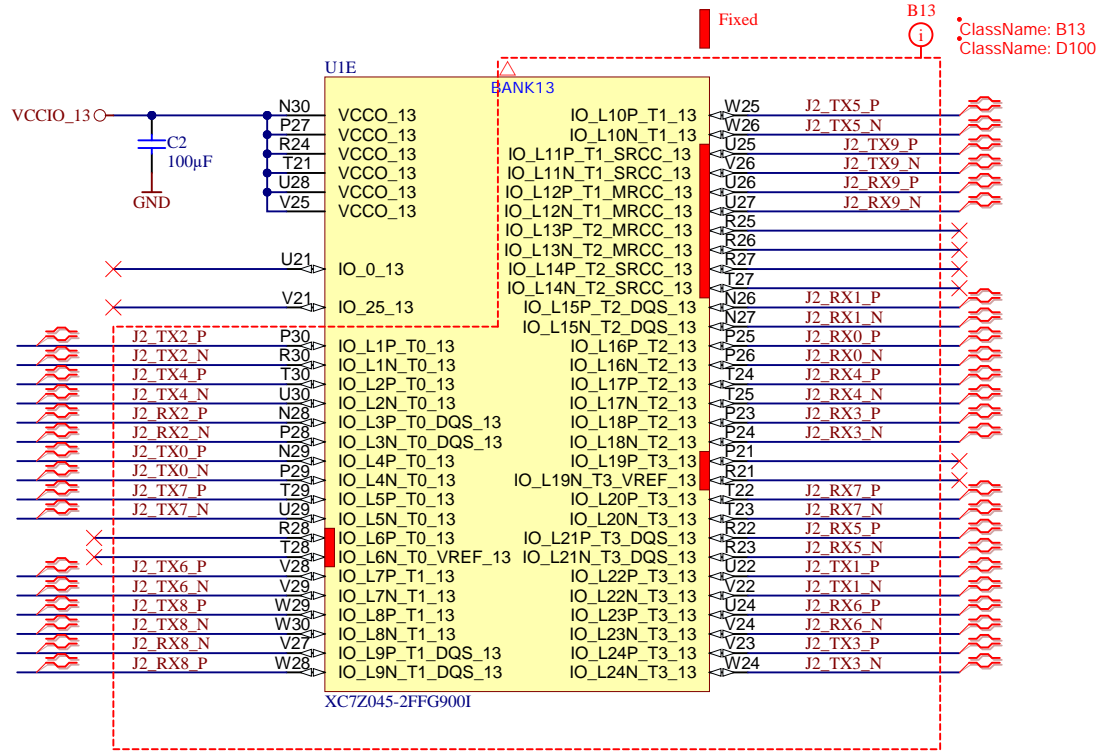
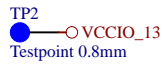


			Title: TE0782 - FPGA B11	
			A4	Number: TE0782 92I33FH
Date: 2015-05-27		Copyright: Trenz Electronic GmbH		Page13 of 31
Filename: B11.SchDoc				

TP1
 VCCIO_12
 Testpoint 0.8mm



Title: TE0782 - FPGA B12		
A4	Number: TE0782 92I33FH	Rev. 02
Date: 2015-05-27	Copyright: Trenz Electronic GmbH	Page 14 of 31
Filename: B12.SchDoc		



	Title: TE0782 - FPGA B13		
	A4	Number: TE0782 92I33FH	Rev. 02
	Date: 2015-05-27	Copyright: Trenz Electronic GmbH	Page15 of 31
	Filename: B13.SchDoc		

1

2

3

4

U_B33
B33.SchDoc



U_B34
B34.SchDoc



U_B35
B35.SchDoc



A

A

B

B

C

C

D


D


1

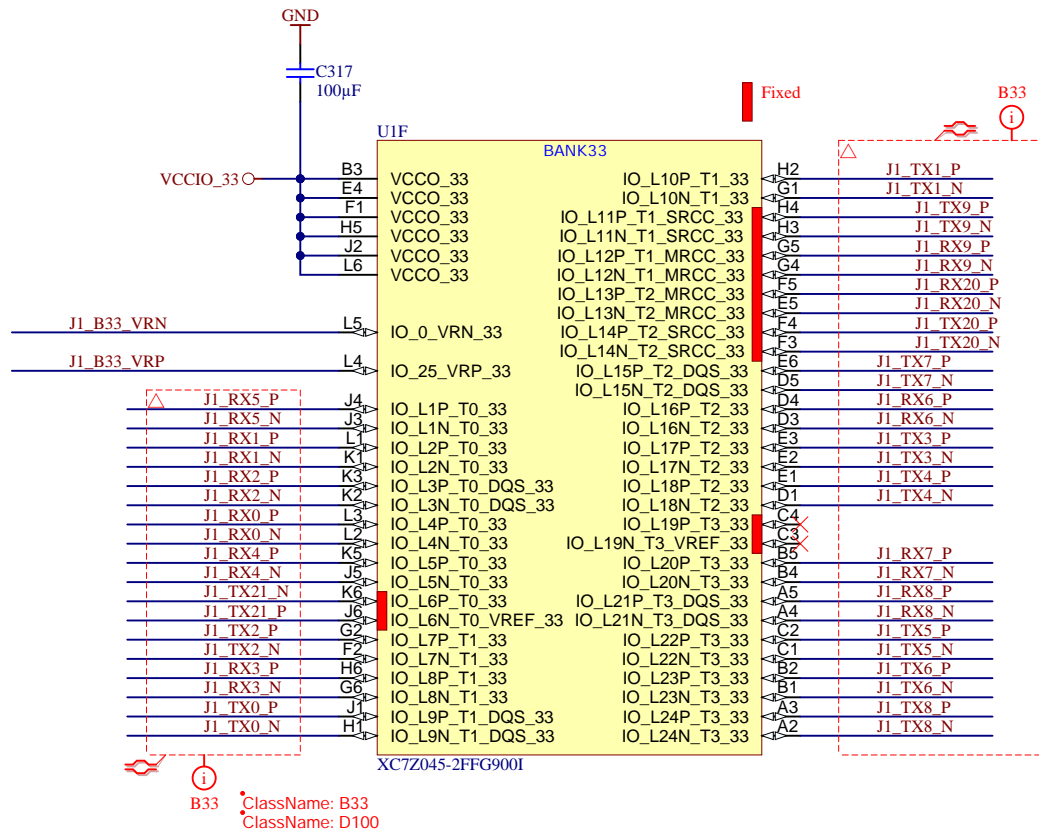
2


3

4

	Title: TES0782 - FPGA HP Banks		
	A4	Number: TE0782 92I33FH	Rev. 02
	Date: 2015-05-27	Copyright: Trenz Electronic GmbH	Page 16 of 31
	Filename: HP-BANKS.SchDoc		

TP6
 VCCIO_33
 Testpoint 0.8mm



	Title: TE0782 - FPGA B33		
	A4	Number: TE0782 92I33FH	Rev. 02
	Date: 2015-05-27	Copyright: Trenz Electronic GmbH	Page 17 of 31
	Filename: B33.SchDoc		

A

A

B


B

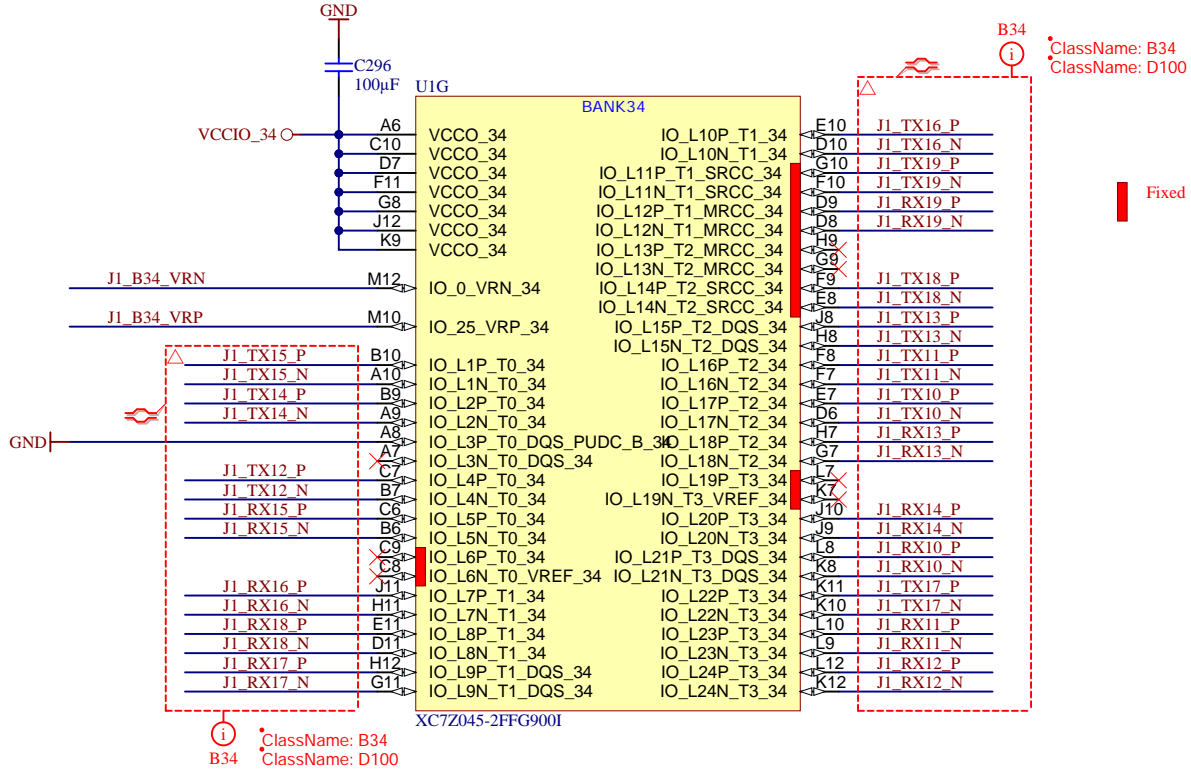
C

C

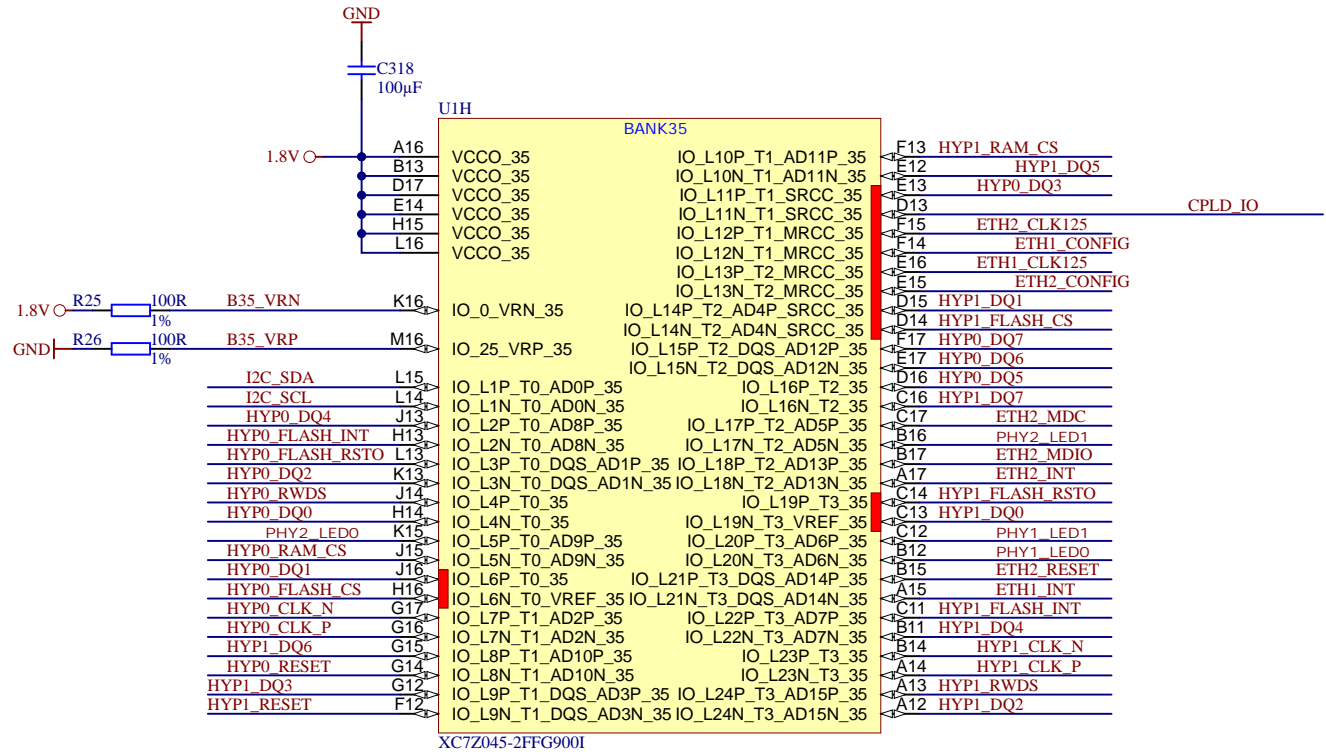
D

D

TP3
 VCCIO_34
 Testpoint 0.8mm

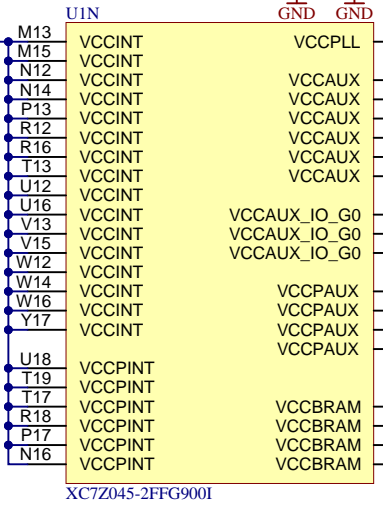
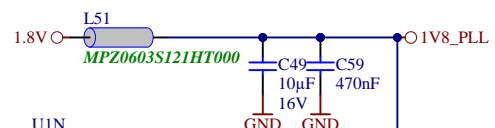
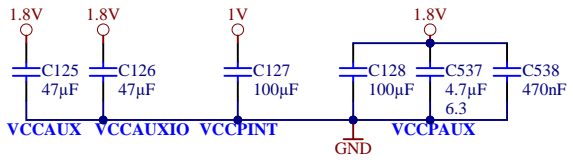
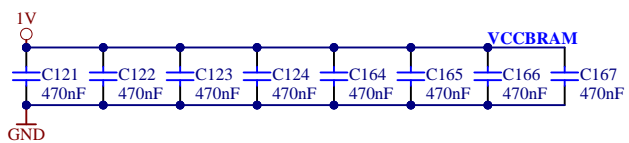
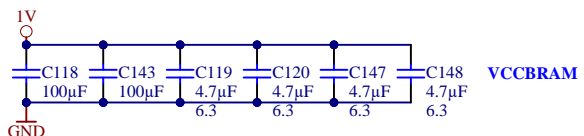
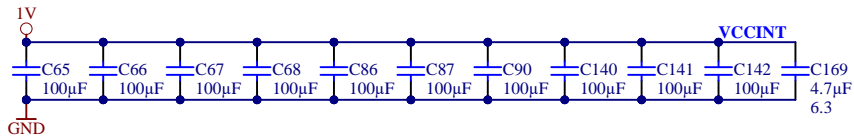
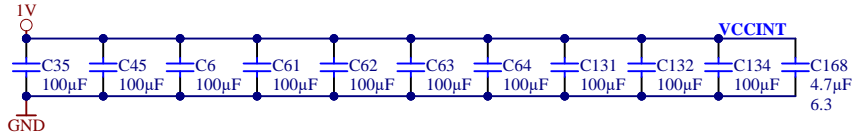


Title: TE0782 - FPGA B34		
A4	Number: TE0782 92I33FH	Rev. 02
Date: 2015-05-27	Copyright: Trenz Electronic GmbH	Page 18 of 31
Filename: B34.SchDoc		

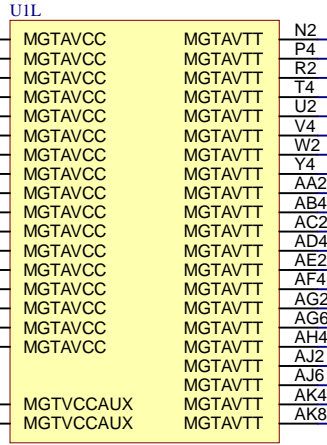


	Title: TE0782 - FPGA B35		
	A4	Number: TE0782 92I33FH	Rev. 02
	Date: 2015-05-27	Copyright: Trenz Electronic GmbH	Page 19 of 31
	Filename: B35.SchDoc		

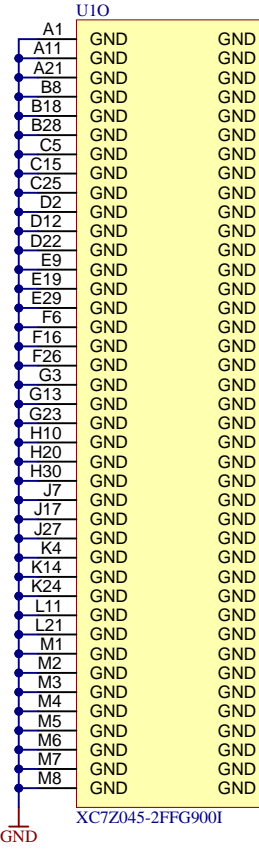
Capacitors suitable for XC7Z100



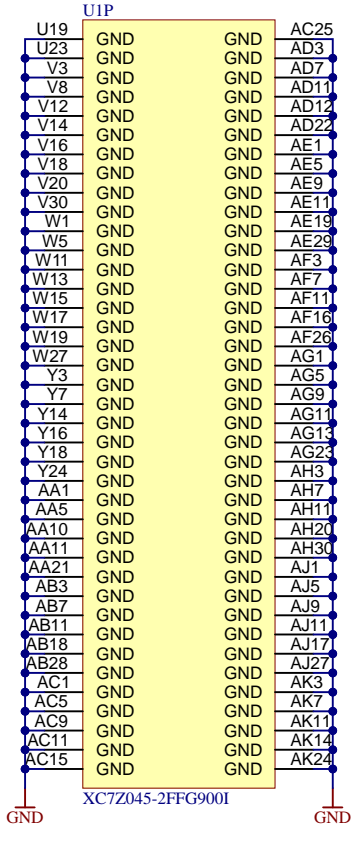
XC7Z045-2FFG9001



XC7Z045-2FFG9001



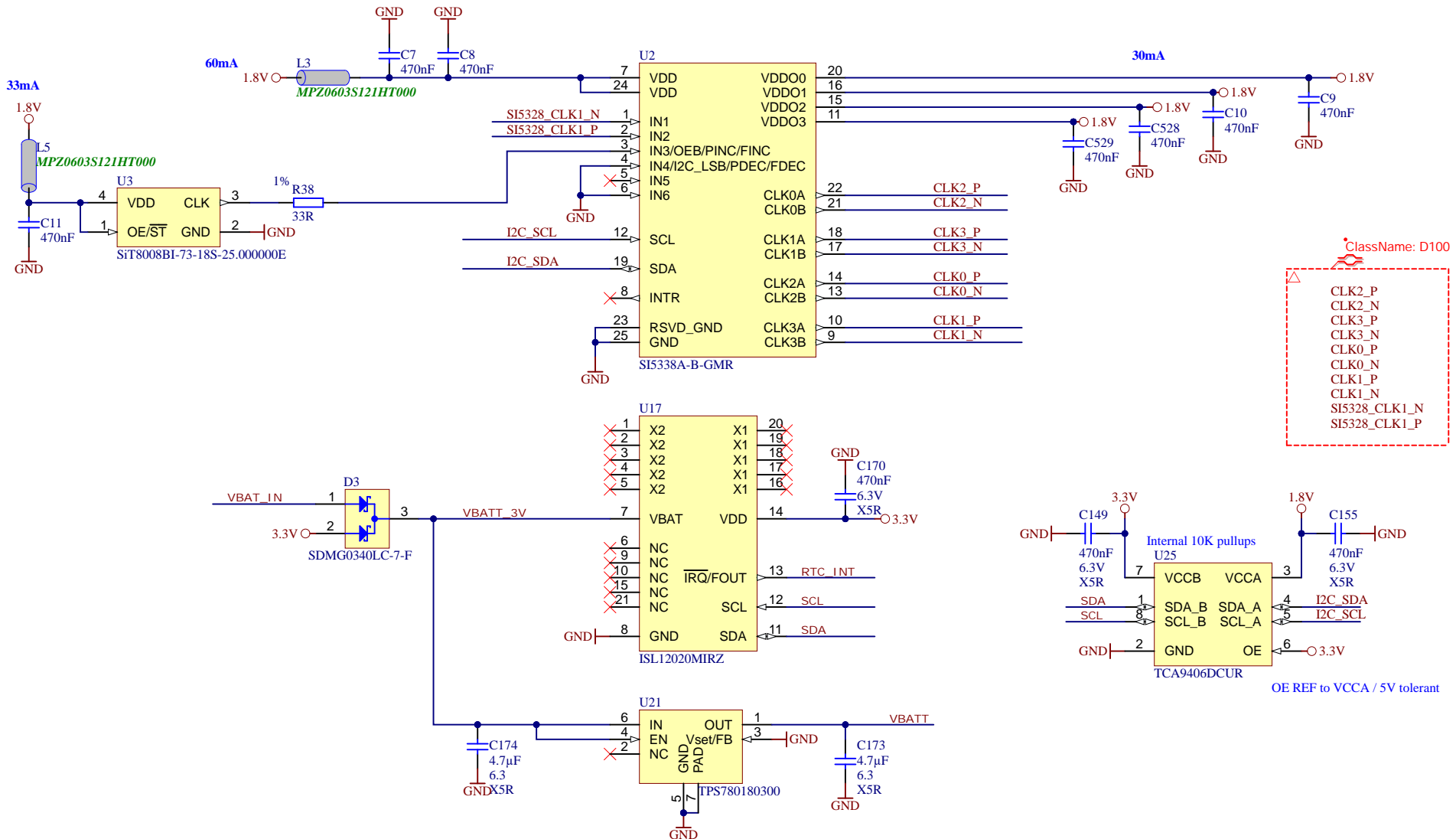
XC7Z045-2FFG9001



XC7Z045-2FFG9001



Title: TE0782 - ZYNQ POWER		
A4	Number: TE0782 92133FH	Rev. 02
Date: 2015-05-27	Copyright: Trenz Electronic GmbH	
Page 20 of 31		
Filename: FPGA-PWR.SchDoc		



ClassName: D100

CLK2_P
 CLK2_N
 CLK3_P
 CLK3_N
 CLK0_P
 CLK0_N
 CLK1_P
 CLK1_N
 SI5328_CLK1_N
 SI5328_CLK1_P

OE REF to VCCA / 5V tolerant



Title: TE0782 - Clock		
A4	Number: TE0782 92I33FH	Rev. 02
Date: 2015-05-27	Copyright: Trenz Electronic GmbH	Page21 of 31
Filename: Clock.SchDoc		

A

A

B

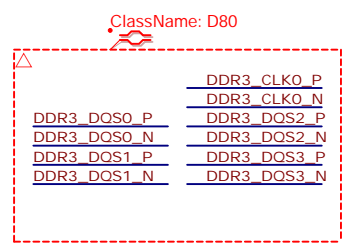
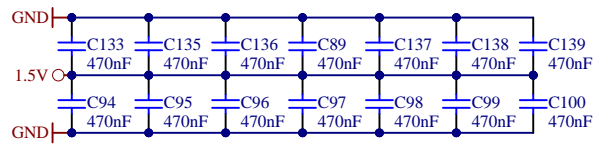
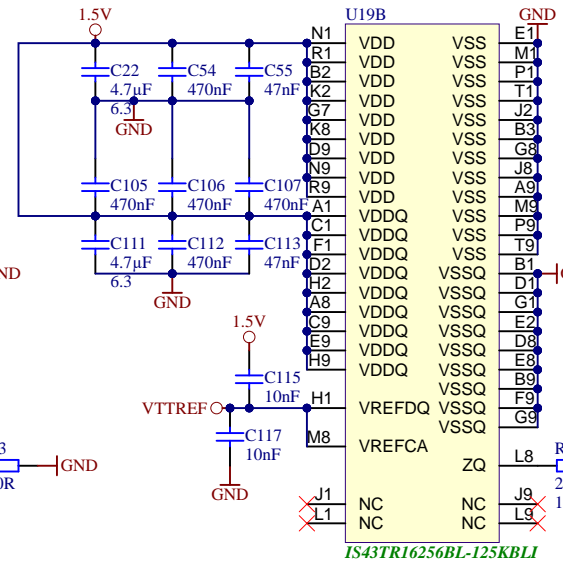
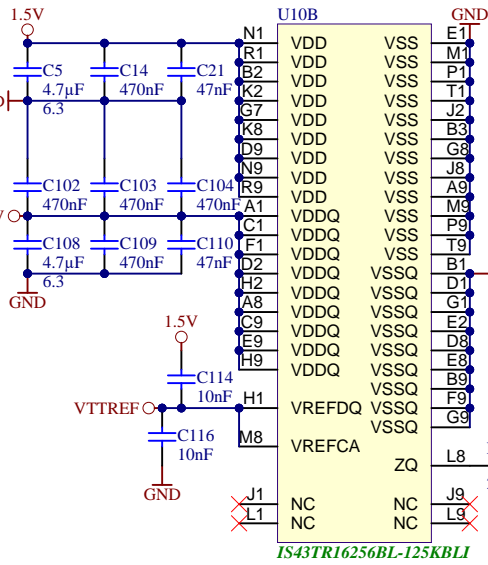
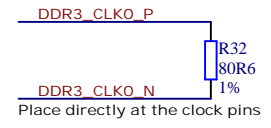
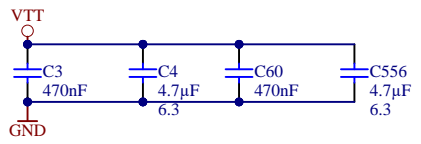
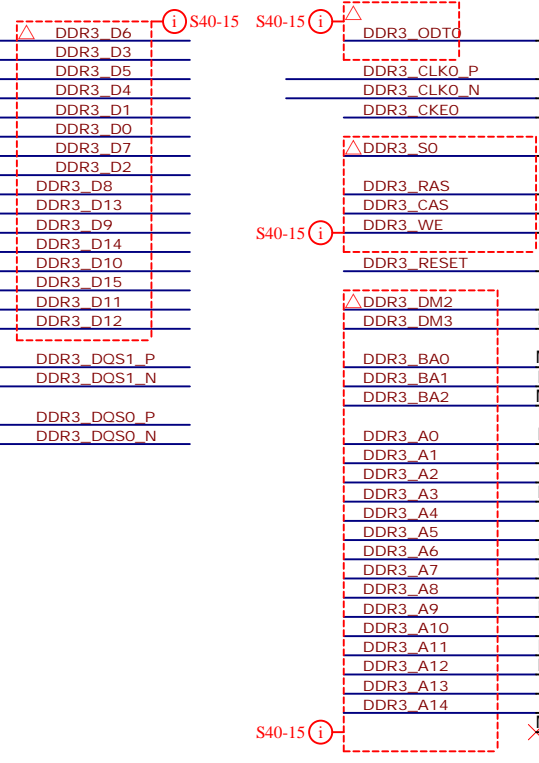
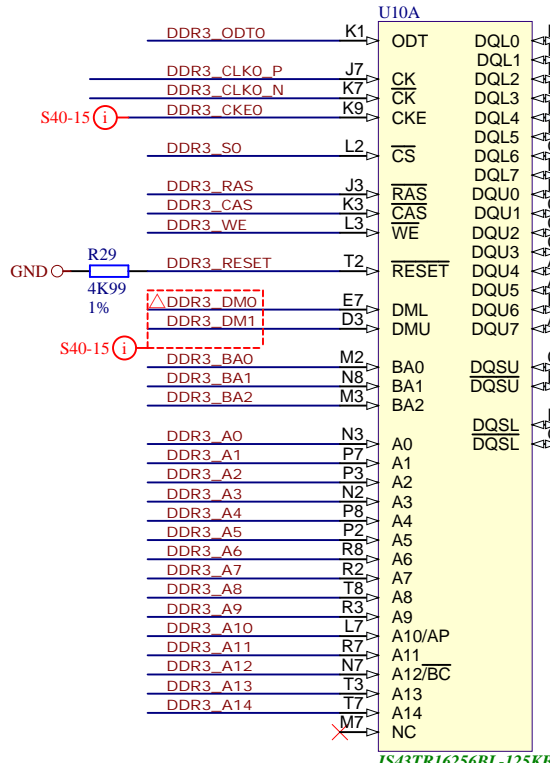
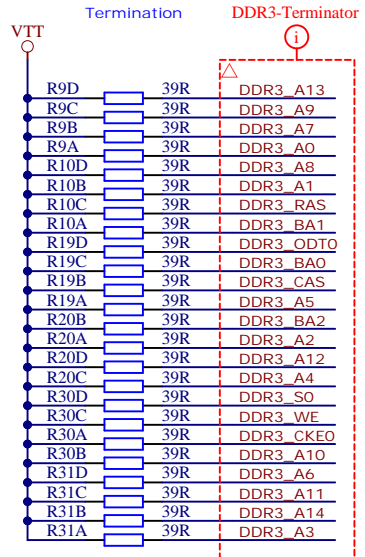
B

C

C

D

D



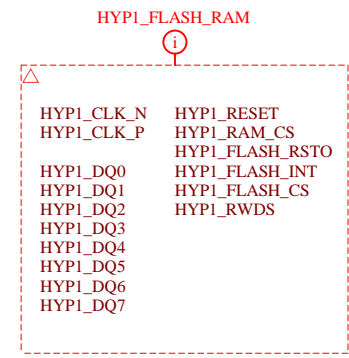
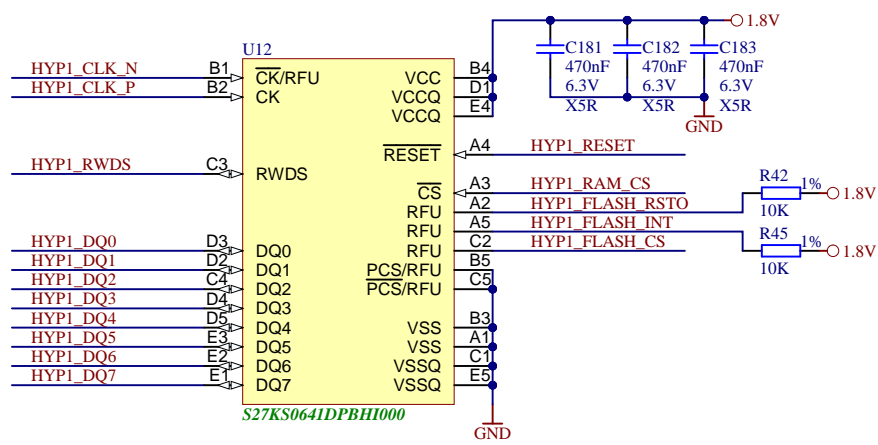
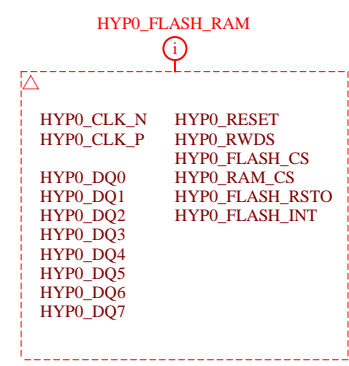
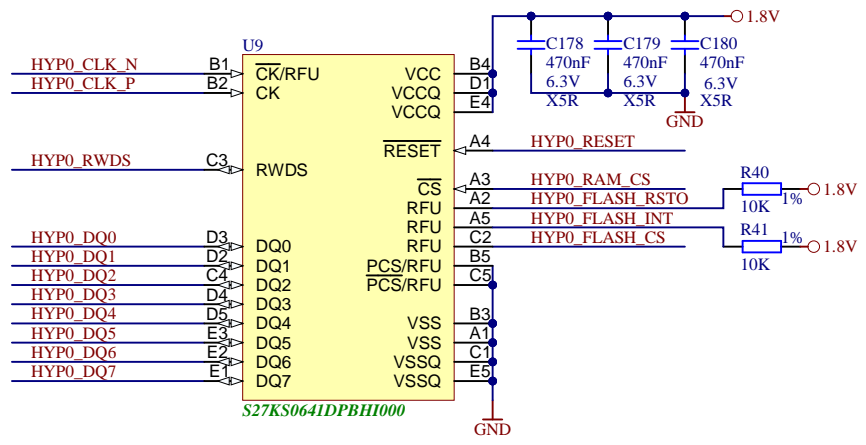
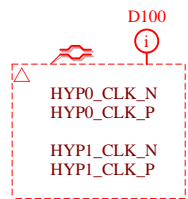
Title: TE0782 - DDR3 RAM		
A4	Number: TE0782 92I33FH	Rev. 02
Date: 2015-05-27	Copyright: Trenz Electronic GmbH	Page 22 of 31
Filename: DDR3-RAM.SchDoc		

A

B

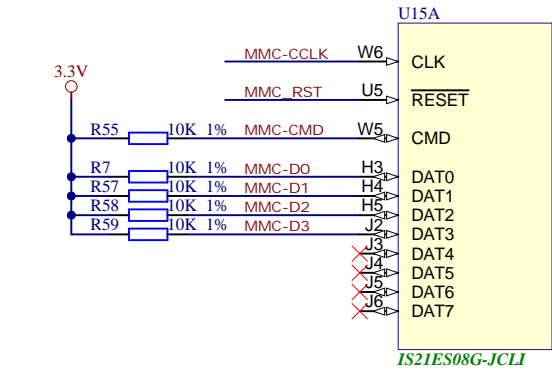
C

D



Title: TE0782 - HyperFlash_RAM		
A4	Number: TE0782 92I33FH	Rev. 02
Date: 2015-05-27	Copyright: Trenz Electronic GmbH	Page 23 of 31
Filename: HyperFlash_RAM.SchDoc		

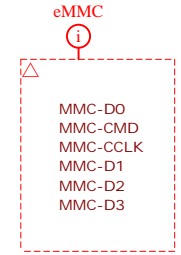
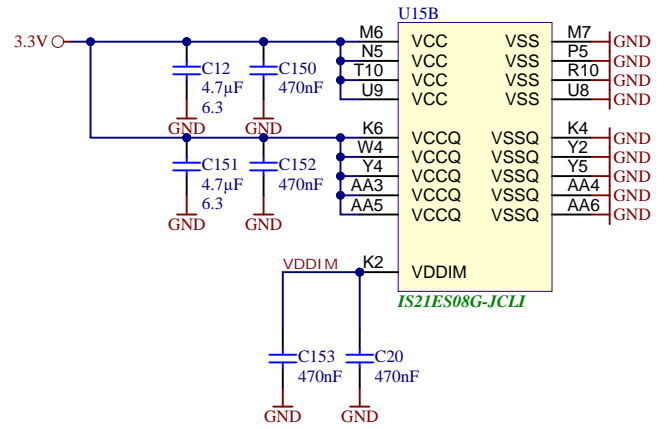
1			
A4	NC	NC	R2
A6	NC	NC	R3
A9	NC	NC	R12
A11	NC	NC	R13
B2	NC	NC	R14
B13	NC	NC	T1
D1	NC	NC	T2
D14	NC	NC	T3
H1	NC	NC	T12
H2	NC	NC	T13
H8	NC	NC	T14
H9	NC	NC	U1
H10	NC	NC	U2
H11	NC	NC	U3
H12	NC	NC	U12
H13	NC	NC	U13
H14	NC	NC	U14
J1	NC	NC	V1
J7	NC	NC	V2
J8	NC	NC	V3
J9	NC	NC	V12
J10	NC	NC	V13
J11	NC	NC	V14
J12	NC	NC	W1
J13	NC	NC	W2
J14	NC	NC	W3
K1	NC	NC	W7
K3	NC	NC	W8
K7	NC	NC	W9
K8	NC	NC	W10
K9	NC	NC	W11
K10	NC	NC	W12
K11	NC	NC	W13
K12	NC	NC	W14
K13	NC	NC	Y1
K14	NC	NC	Y3
L1	NC	NC	Y6
L2	NC	NC	Y7
L3	NC	NC	Y8
L4	NC	NC	Y9
L12	NC	NC	Y10
L13	NC	NC	Y11
L14	NC	NC	Y12
M1	NC	NC	Y13
M2	NC	NC	Y14
M3	NC	NC	AA1
M12	NC	NC	AA2
M13	NC	NC	AA8
M14	NC	NC	AA9
N1	NC	NC	AA11
N2	NC	NC	AA12
N3	NC	NC	AA13
N12	NC	NC	AA14
N13	NC	NC	AE1
N14	NC	NC	AE14
P1	NC	NC	AG2
P2	NC	NC	AG13
P12	NC	NC	AH4
P13	NC	NC	AH6
P14	NC	NC	AH9
R1	NC	NC	AH11
IS21ES08G-JCLI			



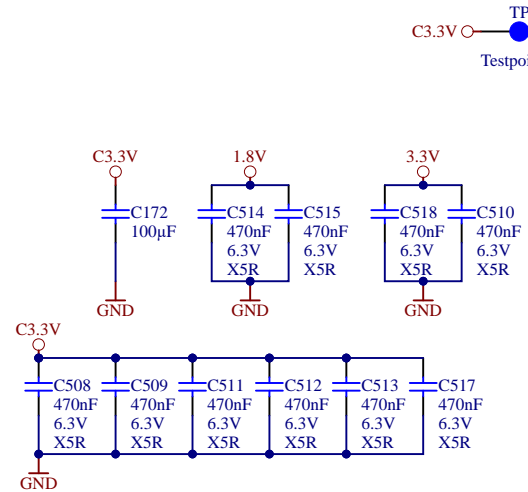
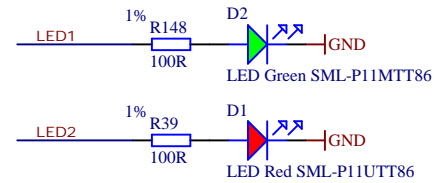
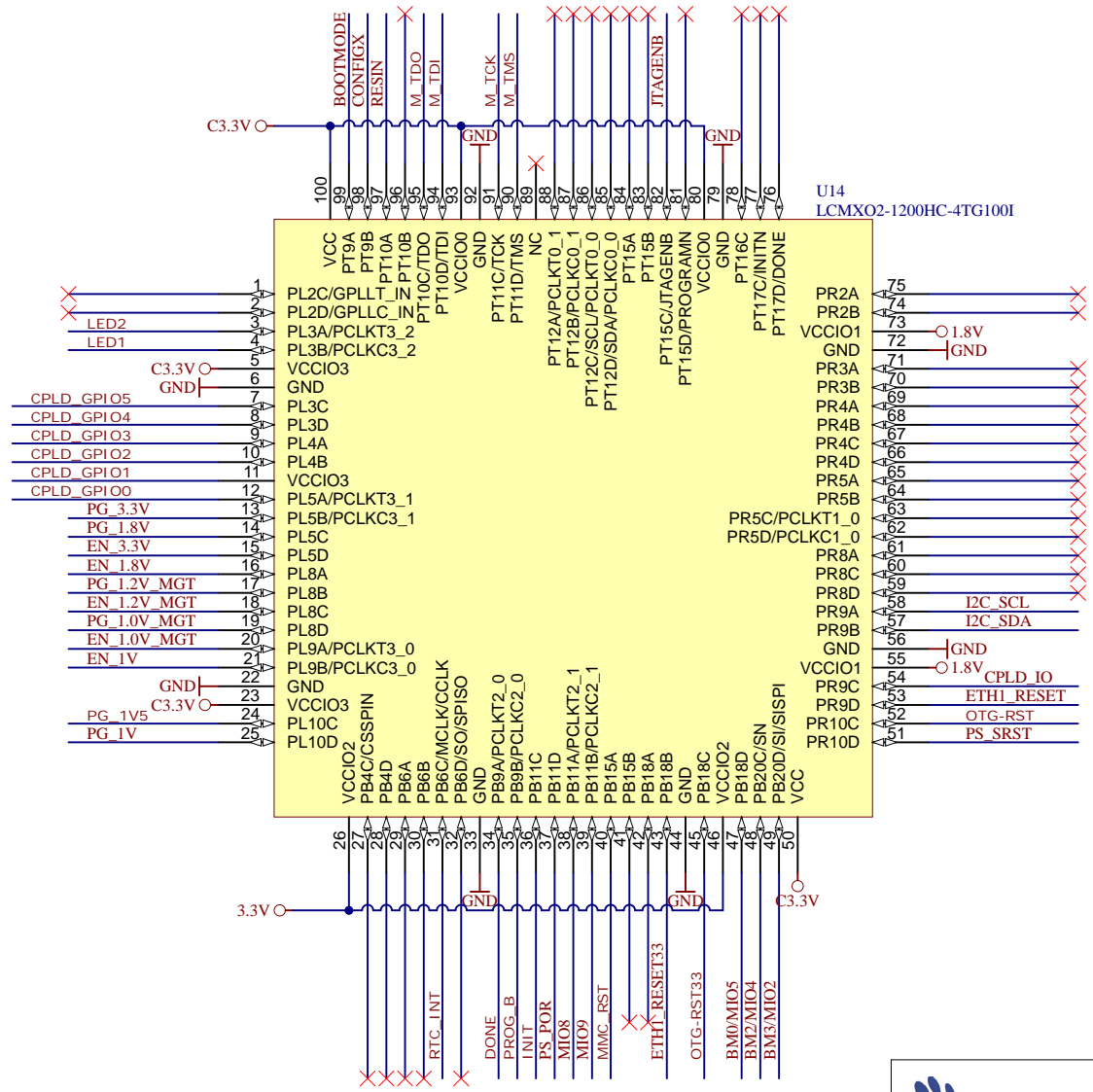
3	
U15C	
H6	RFU
H7	RFU
K5	RFU
M5	RFU
M8	RFU
M9	RFU
M10	RFU
N10	RFU
P3	RFU
P10	RFU
R5	RFU
T5	RFU
U6	RFU
U7	RFU
U10	RFU
AA7	RFU
AA10	RFU
IS21ES08G-JCLI	


MMC-D3

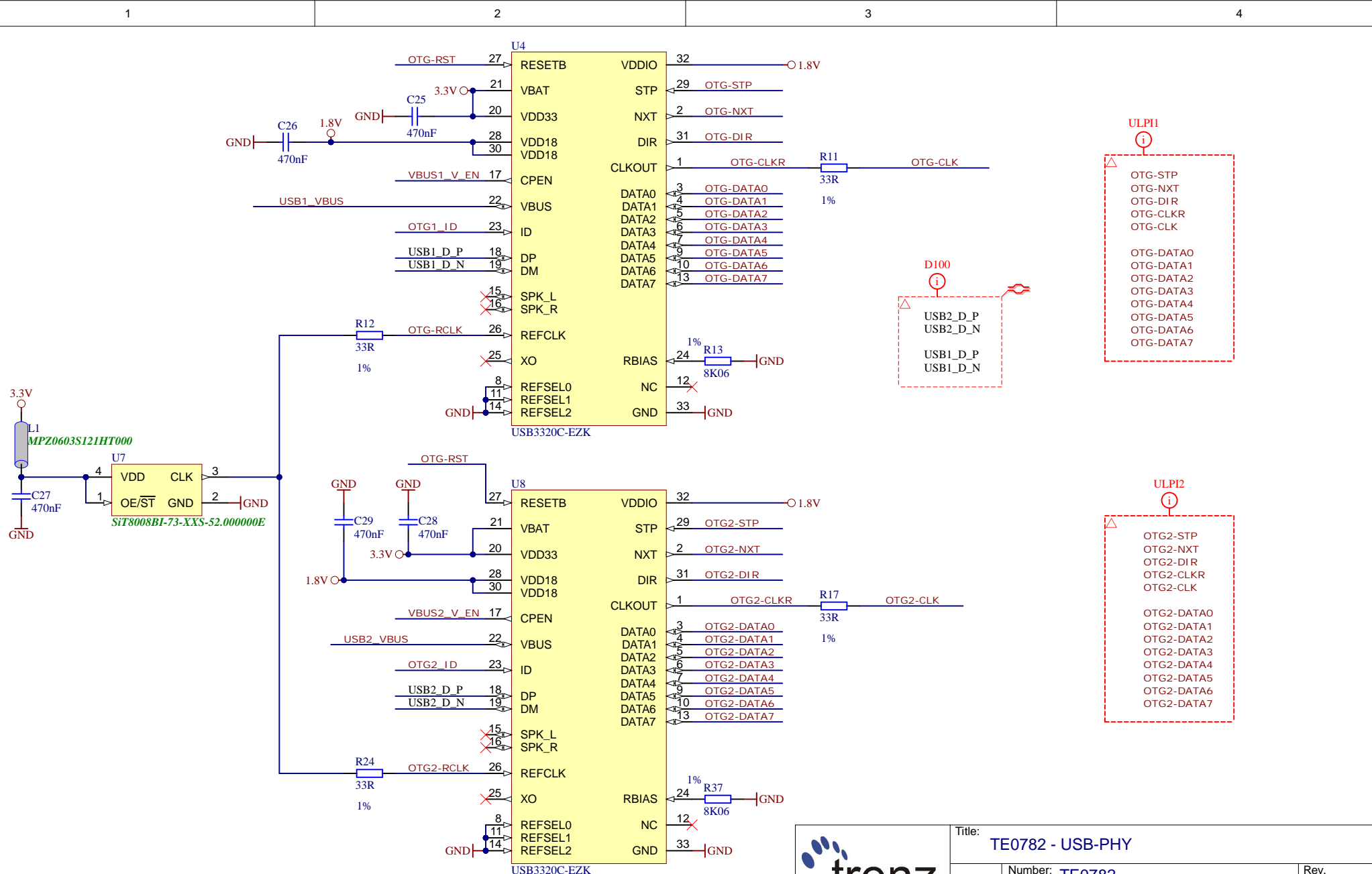
VDDIM




Title: TE0782 - eMMC			
A4	Number: TE0782 92133FH	Rev. 02	
Date: 2015-05-27	Copyright: Trenz Electronic GmbH	Page24 of 31	
Filename: eMMC.SchDoc			



			Title: TE0782 - CPLD	
A4	Number: TE0782 92I33FH	Rev. 02		
Date: 2015-05-27	Copyright: Trenz Electronic GmbH		Page 25 of 31	
Filename: CPLD.SchDoc				



			Title: TE0782 - USB-PHY	
			A4	Number: TE0782 92I33FH
Date: 2015-05-27		Copyright: Trenz Electronic GmbH		Page 26 of 31
Filename: USB-PHY.SchDoc				

1

2

3

4

A

A

B

B

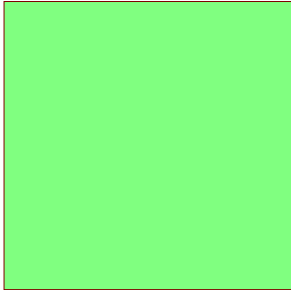
C

C

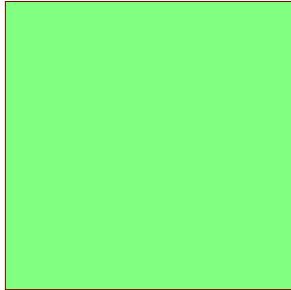
D

D

U_ETH1
ETH1.SchDoc



U_ETH2
ETH2.SchDoc



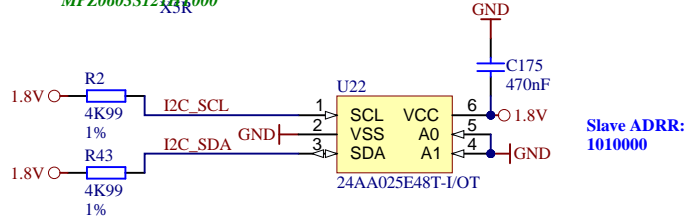
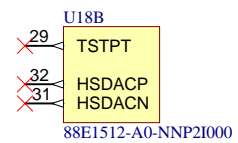
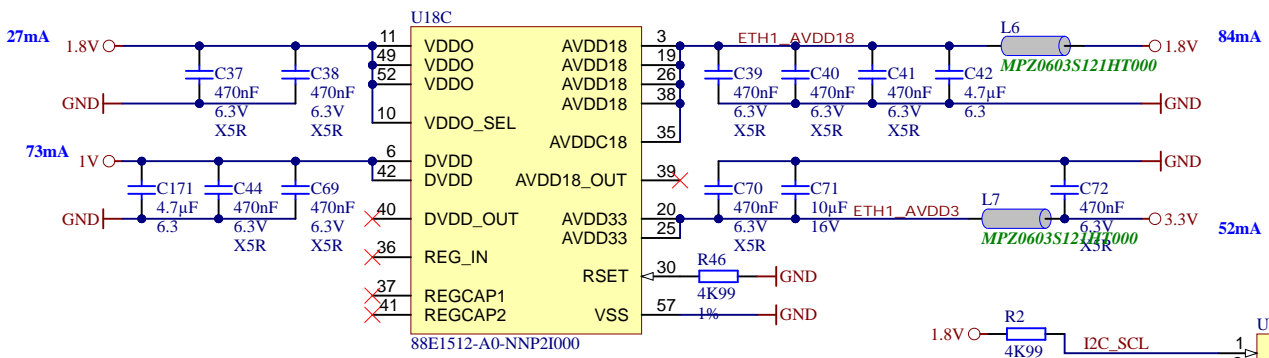
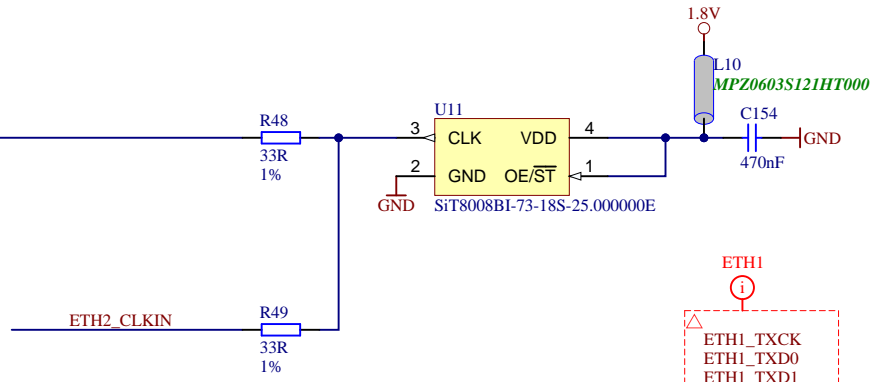
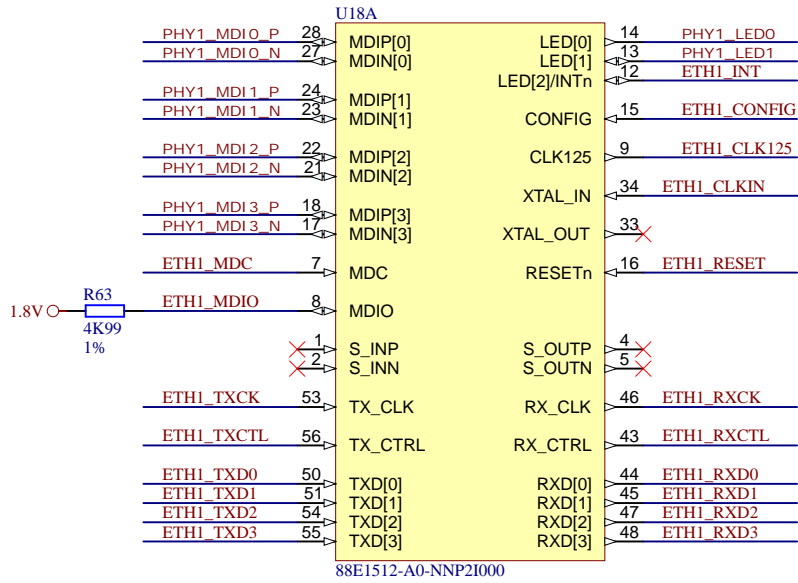

Title: TE0782 - Ethernet		
A4	Number: TE0782 92I33FH	Rev. 02
Date: 2015-05-27	Copyright: Trenz Electronic GmbH	Page 27 of 31
Filename: Ethernet.SchDoc		

1

2

3

4

Title: TE0782 - ETH_PHY1		
A4	Number: TE0782 92I33FH	Rev. 02
Date: 2015-05-27	Copyright: Trenz Electronic GmbH	Page 28 of 31
Filename: ETH1.SchDoc		

1

2

3

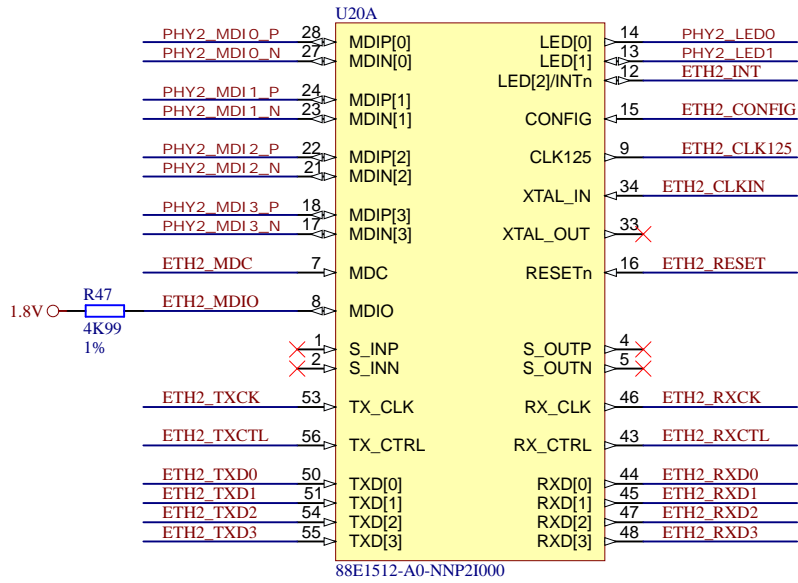
4

1

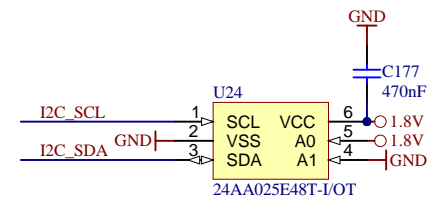
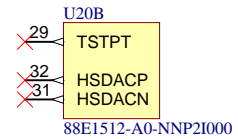
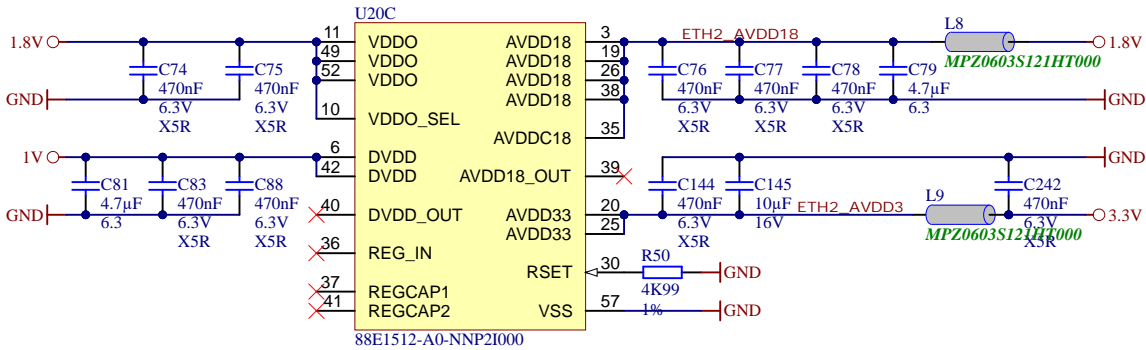
2

3


4

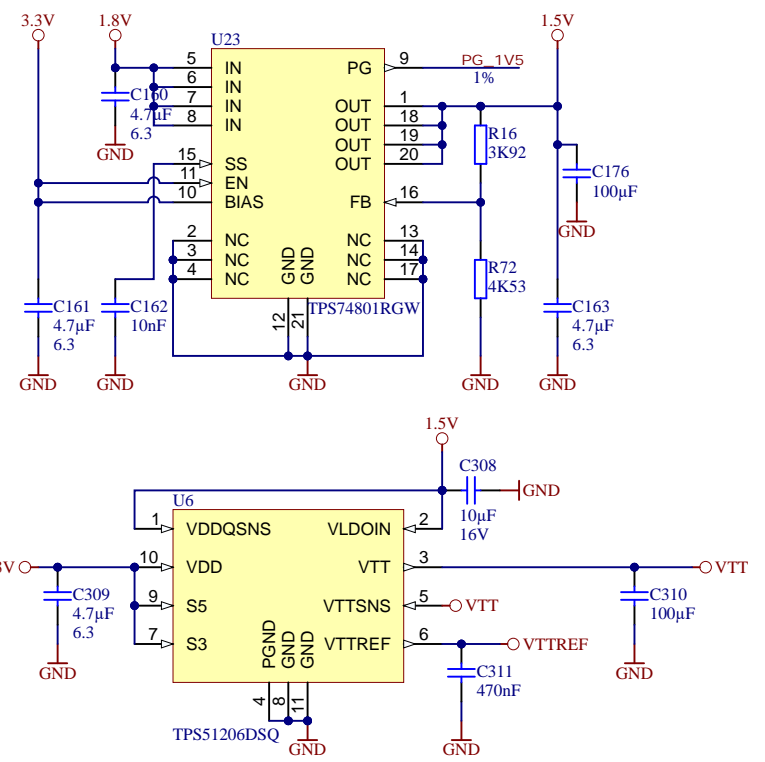
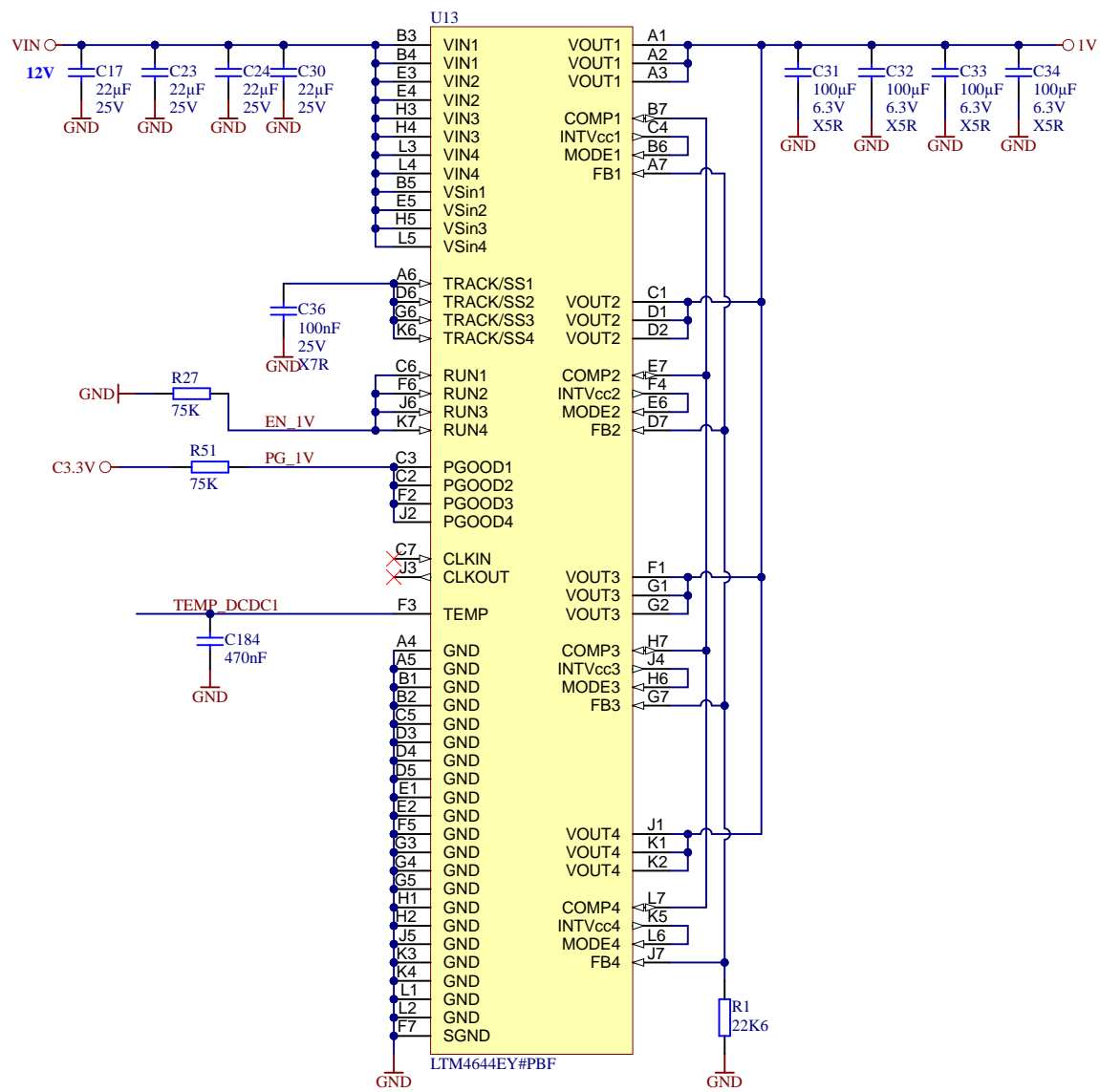


- ETH2
- ETH2_TXD1
 - ETH2_TXD0
 - ETH2_TXCTL
 - ETH2_TXCK
 - ETH2_RXCK
 - ETH2_RXD1
 - ETH2_RXD3
 - ETH2_RXD2
 - ETH2_RXD0
 - ETH2_RXCTL
 - ETH2_MDC
 - ETH2_MDIO
- PHY2_LED0
- PHY2_LED1
- ETH2_INT
- ETH2_CONFIG
- ETH2_CLK125
- ETH2_RESET




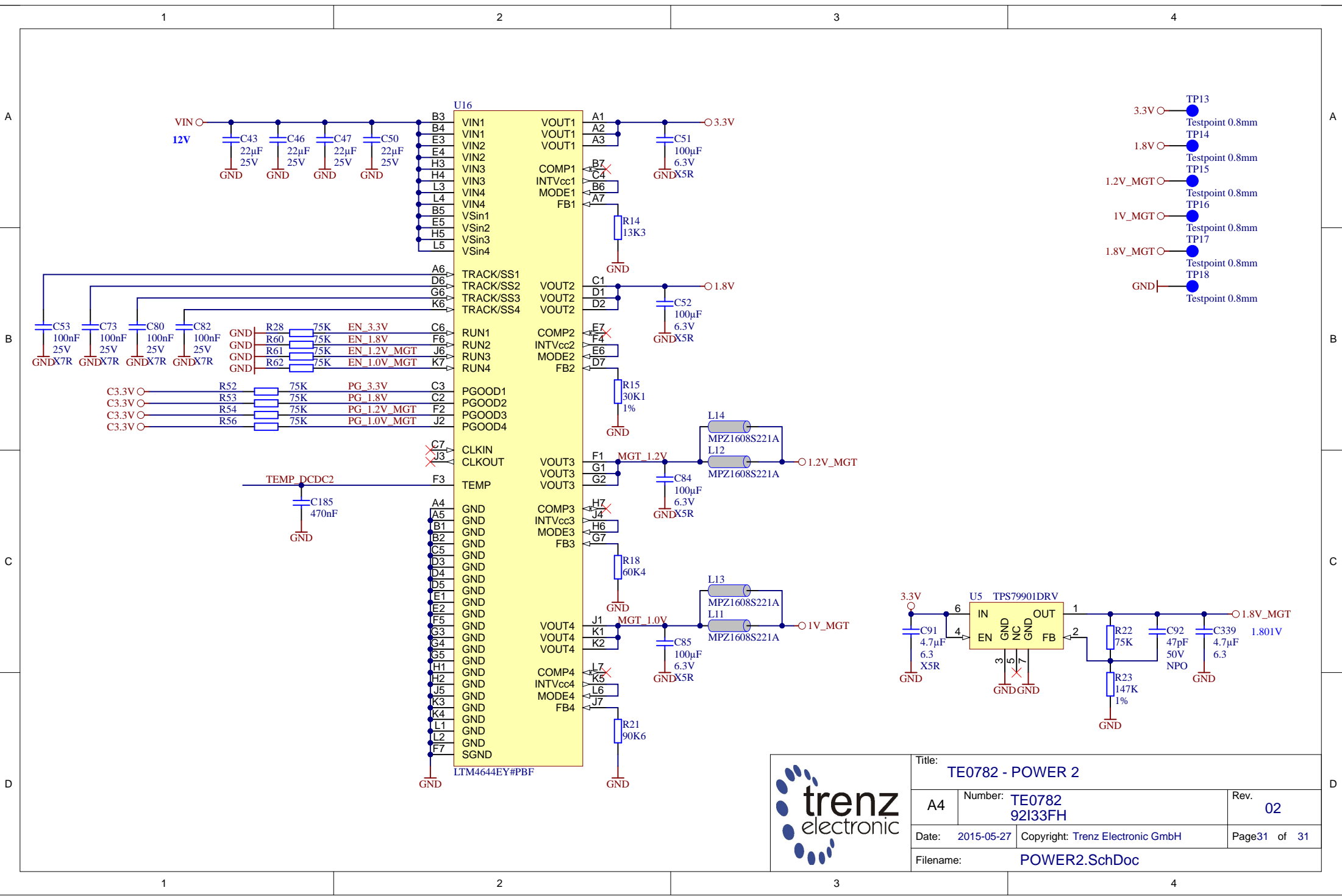
Slave ADDR:
1010001

			Title: TE0782 - ETH_PHY2	
			A4	Number: TE0782 92133FH
Date: 2015-05-27		Copyright: Trenz Electronic GmbH		Page 29 of 31
Filename: ETH2.SchDoc				



- TP7 1V Testpoint 0.8mm
- TP8 GND Testpoint 0.8mm
- TP10 1.5V Testpoint 0.8mm
- TP11 VTT Testpoint 0.8mm
- TP12 VTTREF Testpoint 0.8mm

			Title: TE0782 - POWER	
			A4	Number: TE0782 92I33FH
Date: 2015-05-27		Copyright: Trenz Electronic GmbH		Page30 of 31
Filename: POWER.SchDoc				



Title: TE0782 - POWER 2		
A4	Number: TE0782 92133FH	Rev. 02
Date: 2015-05-27	Copyright: Trenz Electronic GmbH	Page 31 of 31
Filename: POWER2.SchDoc		