


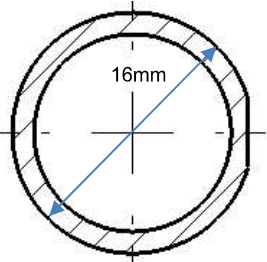

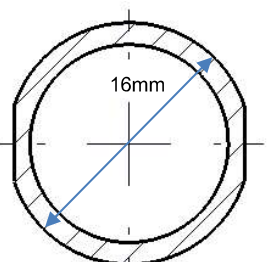
**1 Products affected**

Product hierarchy no.		Part no.	SBU	Product Type	Customer part no.			
SBU	PG	PUG	Type					
01	002	003	0000000527	Circuit protection	0031.1621	FEC Fuseholder 5x20		
					0031.1622	FEC Fuseholder 6.3x32		
					0031.1623	FEC Fuseholder		
					0031.1624	FEC Fuseholder 6.3x32		
					0031.1631	FEC Fuseholder		
					0031.1632	FEC Fuseholder 5x20		
					0031.1633	FEC Fuseholder 6.3x32		
					0031.1634	FEC Fuseholder 6.3x32		
					063	0000000595	0031.1611	FEC head/carrier 5x20
							0031.1613	FEC head/carrier 6.3x32

**2 Type of change**

- Change of material
- Change of product design
- Change of packaging (only concerns part no. 0031.1622)

**3 Detailed description of change**

Current plastic material		New plastic material	
Thermoset PF-GF/MF FR		Thermoplastic PPA-GF FR	
Current product appearance		New product appearance	
ISO view	Socket cross-section	ISO view	Socket cross-section
			
		marks/logos moved by 90°	
Current product packaging dimension		New product packaging dimension (0031.1622 only)	
cardboard box 194 x 102 x 120 mm		cardboard box 259 x 84 x 154 mm	

Product Change Notification						FEC: material, design and packaging change	
owner	creation date	release date	released by	change order	rev	page	D10-066-072
kraftal	02.11.2022	03.11.2022	schulejo	2024977	B	1 of 2	

#### 4 Reason of change

- Replace plastic material thermoset with thermoplastic for more reliable moulding process
- Change to a modern design
- Packaging size optimized for better packaging quality

#### 5 Release date

The change takes effect in week 48/2022 (Date code 2248 or higher on label).  
Parts on stock will be used upon depletion.

#### 6 Impact of change and recommended action

- |   |   |
|---|---|
| <input checked="" type="checkbox"/> Form      | No action required  |
| <input checked="" type="checkbox"/> Fit       | No action required. The combination of sockets and carriers of current and new material is permissible. |
| <input type="checkbox"/> Function             |   |
| <input type="checkbox"/> Manufacturing        |   |
| <input type="checkbox"/> Label                |   |
| <input checked="" type="checkbox"/> Packaging | Note new packaging dimension (part no. 0031.1622 only)  |

#### 7 Reference Documents

Kind of document	Document Title
<a href="#">Data Sheet</a>	FEC Fuseholder
<a href="#">Data Sheet</a>	Caps for FEC

Product Change Notification						FEC: material, design and packaging change	
owner	creation date	release date	released by	change order	rev	page	D10-066-072
kraftal	02.11.2022	03.11.2022	schulejo	2024977	B	2 of 2	