

MATERIALS AND FINISHES

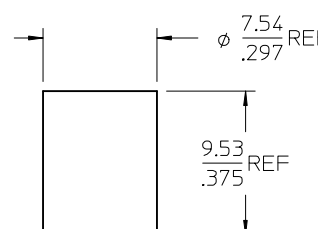
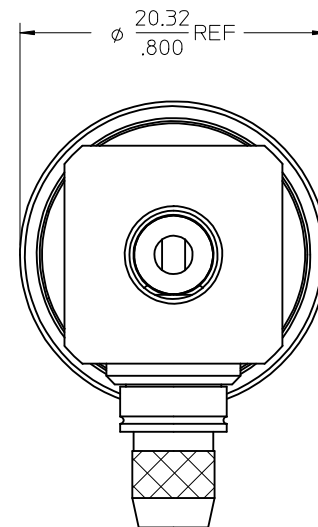
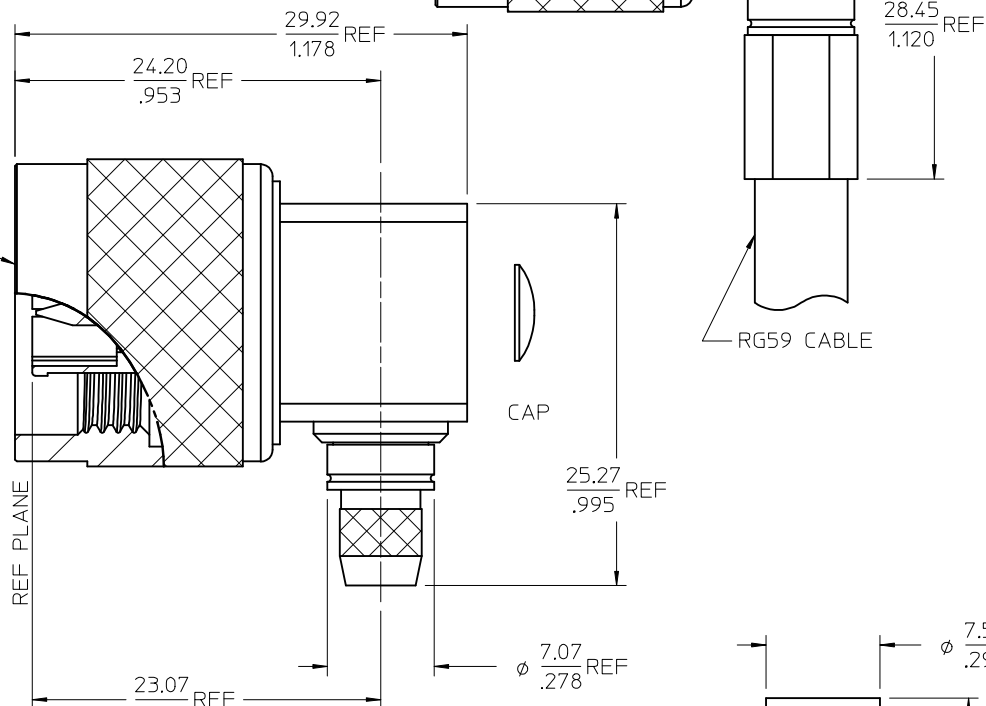
BODY, COUPLING NUT, CAP, OUTER CONTACT BRASS  
PLATED NICKEL

CENTER CONTACT BRASS  
PLATED GOLD

INSULATOR TEFLON

GASKET SILICONE RUBBER

N PLUG  
INTERFACE



CRIMP TUBE

PART # 73276-0210

PS-73598-0032	ELECTRO/MECH PERFORM.
AS-89675-0800	CABLE INSTRUCTION
ES-73599-000-005	INTERFACE
SPECIFICATION	DESCRIPTION

CHG: NEW RELEASE EC NO: URF2006-0538 DRWN: FLAHERTY 2006/05/31 CHKD: SSHAH 2006/05/31 APPR: JWIENER 2006/05/31	REV DESCRIPTION	QUALITY SYMBOLS ▽=0 ▽=0	GENERAL TOLERANCES (UNLESS SPECIFIED)		DIMENSION STYLE MM/IN		SCALE	DESIGN UNITS METRIC	THIRD ANGLE PROJECTION
			4 PLACES ± --- ± --- 3 PLACES ± --- ± --- 2 PLACES ± --- ± --- 1 PLACE ± --- ± ---	mm INCH	DRAWN BY TEF 1999/02/15	DATE	TITLE N PLUG RA RG59 CRIMP EWR-3116 50 OHM N-PC/RA		
			ANGULAR ± 2 °		CHECKED BY DHG 1999/02/15	DATE	MOLEX INCORPORATED		
			DRAFT WHERE APPLICABLE MUST REMAIN WITHIN DIMENSIONS		APPROVED BY GMH 1999/02/15	DATE	MATERIAL NO. 732760210	DOCUMENT NO. SD-73276-021	SHEET NO. 1 OF 1