

MATERIALS AND FINISHES

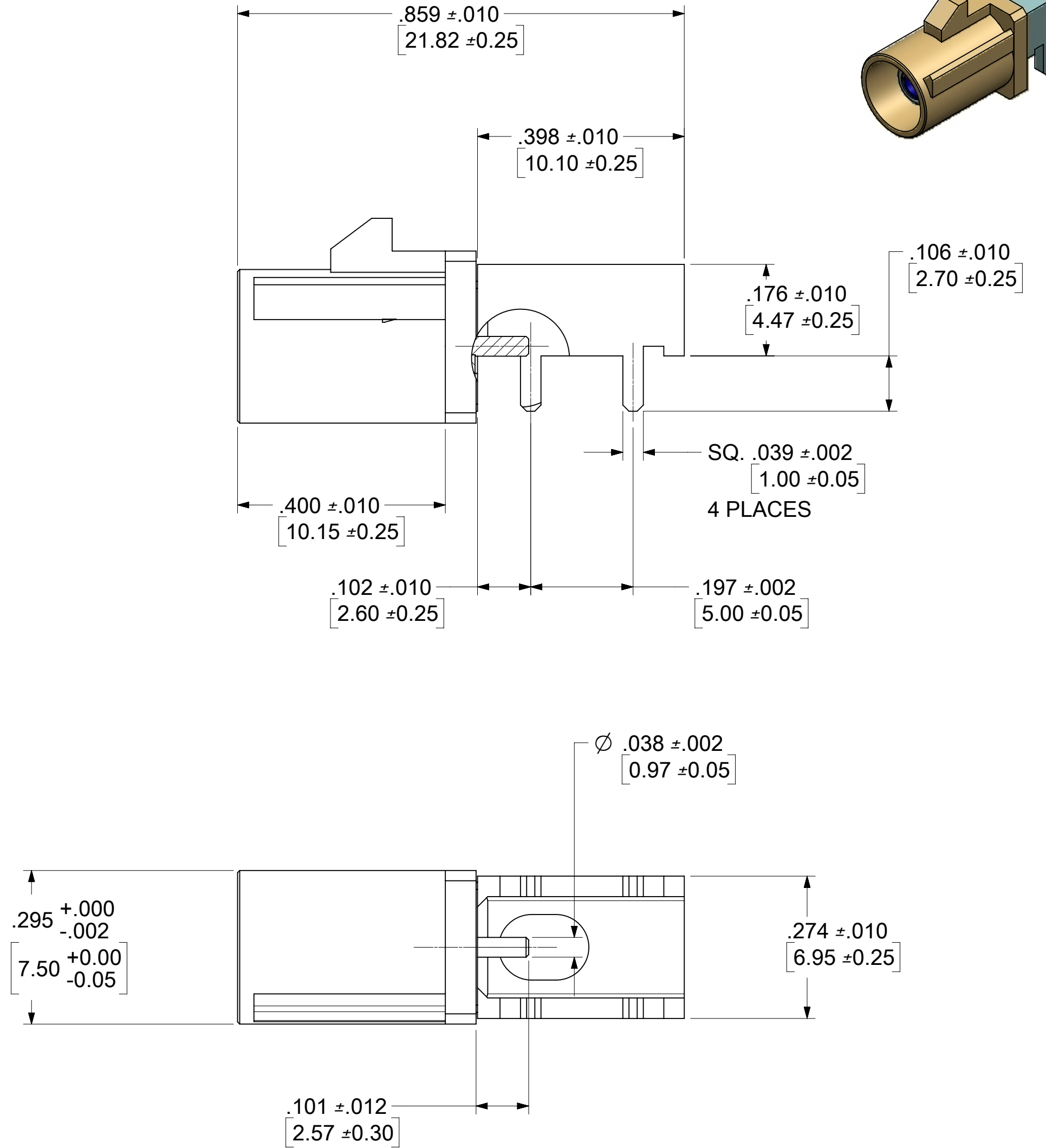
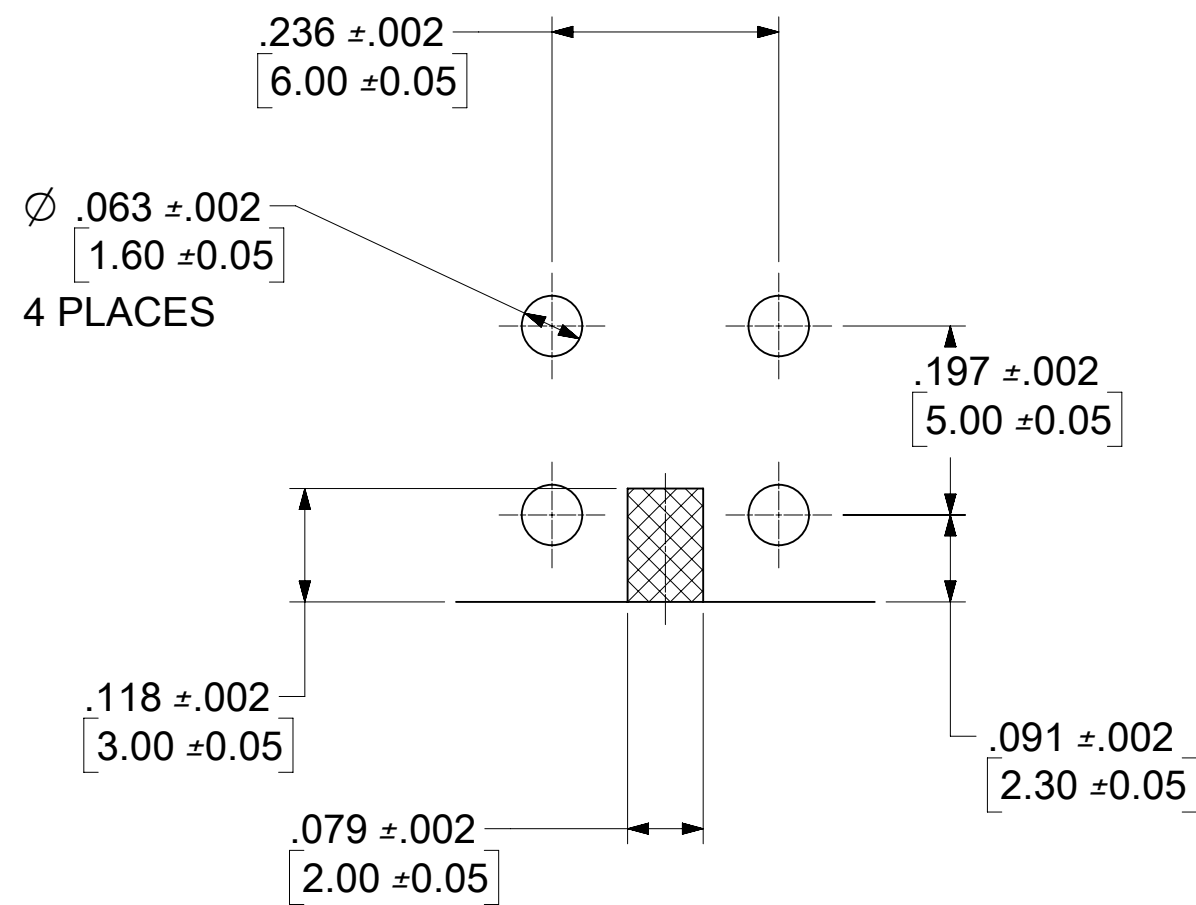
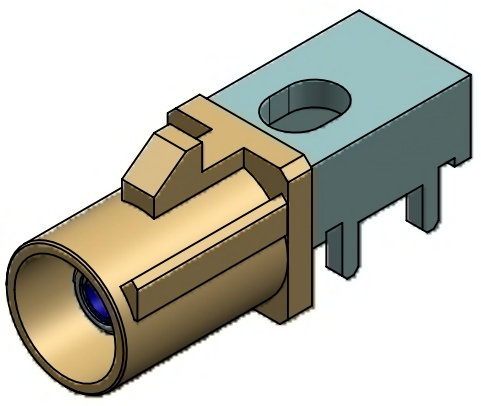
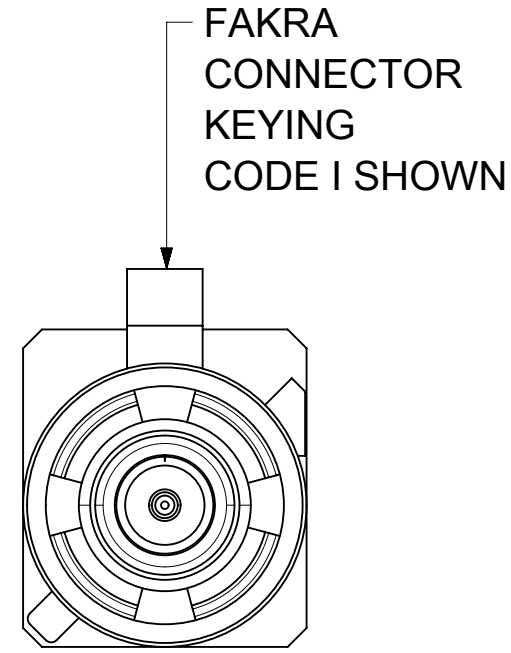
BODY, ZINC ALLOY
PLATED TIN

CENTER CONTACT, BRASS
PLATED GOLD

OUTER CASING, HIGH TEMPERATURE PLASTIC
KEYING SEE TABLE
COLOR SEE TABLE

INSULATOR, TEFLON

PACKAGING BY TRAY (PK-89542-006)

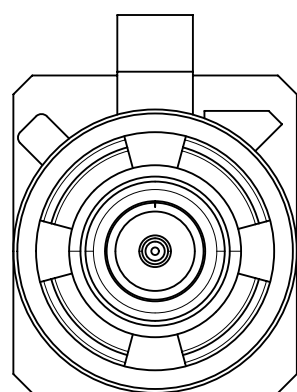


PS-89675-3310	PRODUCT SPECIFICATION
MIL-STD-348A, FIG. 311.1	INTERFACE SPECIFICATION
SPECIFICATION	DESCRIPTION

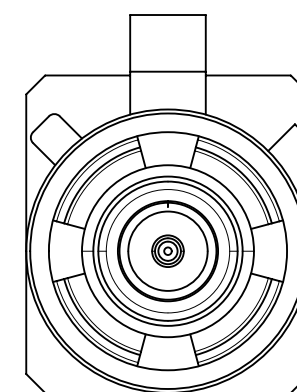
B	2020/07/13	DESIGN DESIGN PER EWR # 13064-B
A1	2019/04/30	CHANGE TOLERANCE PER EWR # 13064-A
A	2015/10/21	RTM PER PDR15102094
REV.	DATE	DESCRIPTION

FUNCTIONAL SYMBOLS	THIS DRAWING CONTAINS INFORMATION THAT IS PROPRIETARY TO MOLEX ELECTRONIC TECHNOLOGIES, LLC AND SHOULD NOT BE USED WITHOUT WRITTEN PERMISSION		CURRENT REV DESC:		
FA = 0	DIMENSION UNITS	SCALE	HYBRID NTS		
EA = 0	GENERAL TOLERANCES (UNLESS SPECIFIED)				
EP = 0	ANGULAR TOL ± 2.0°				
DIVISIONAL SYMBOLS	4 PLACES	±	EC NO: 645432	2020/07/13	molex
	3 PLACES	±	DRWN: ELIN	2020/09/29	
	2 PLACES	±	CHK'D: YCHENG	2020/09/29	SMB J FAKRA PIN IN PASTE 50 OHMS WITH LATCH UP, EWR # 13064, FAKRA-J/PCB/PIN IN PASTE
	1 PLACE	±	APPR: YCHENG	2020/09/29	PRODUCT CUSTOMER DRAWING
	0 PLACES	±	INITIAL REVISION:		DOCUMENT NUMBER
			DRWN: ELIN	2015/10/21	SD-73403-535
			APPR: YCHENG	2015/10/26	PSD 001 B
	DRAFT WHERE APPLICABLE MUST REMAIN WITHIN DIMENSIONS	THIRD ANGLE PROJECTION	DRAWING	SERIES	MATERIAL NUMBER
			C-SIZE	73403	SEE TABLE
					CUSTOMER
					GENERAL MARKET
					SHEET NUMBER
					1 OF 2

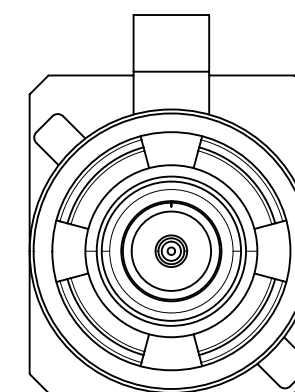
DOCUMENT STATUS	P1	RELEASE DATE	2020/09/29	06:17:41
-----------------	----	--------------	------------	----------



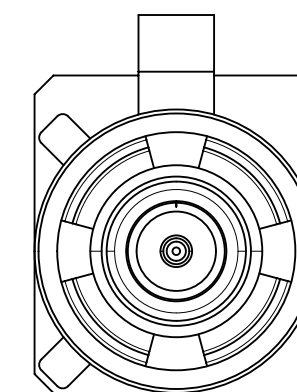
CODE A



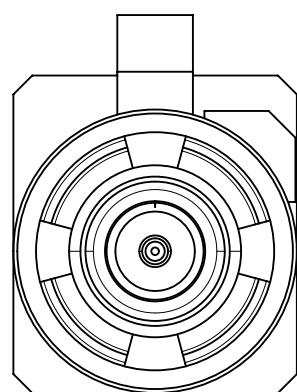
CODE B



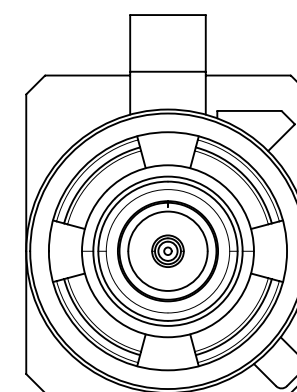
CODE C



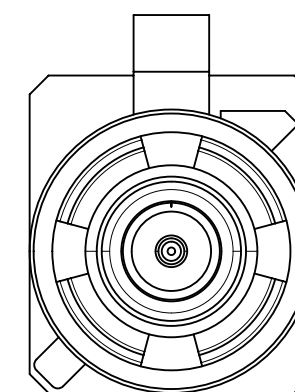
CODE D



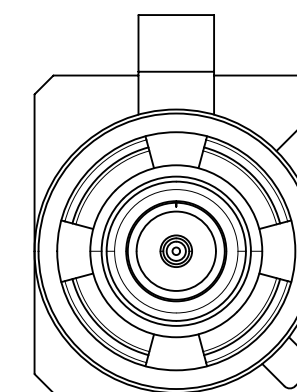
CODE E



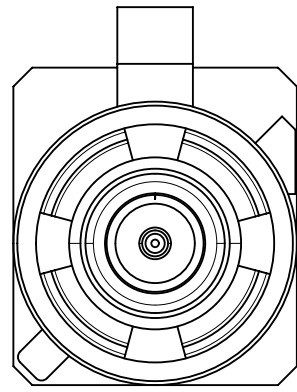
CODE F



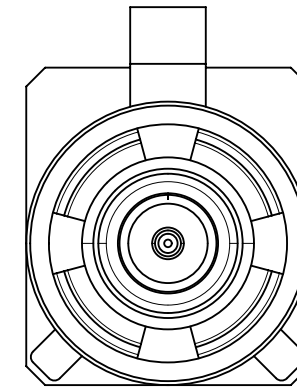
CODE G



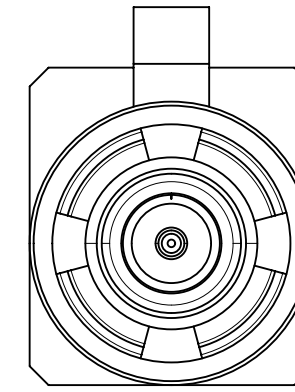
CODE H



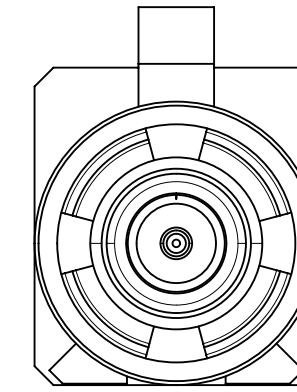
CODE I



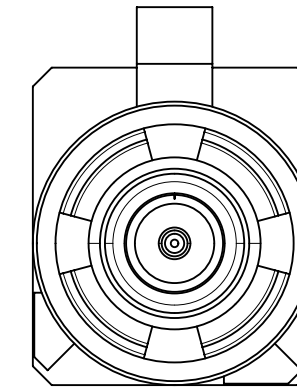
CODE K



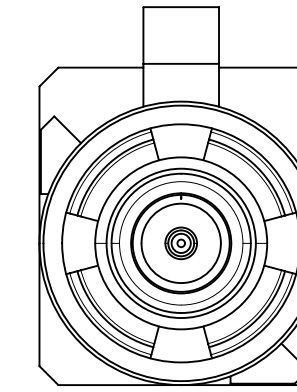
CODE Z



CODE L



CODE M



CODE N

N	PASTEL GREEN	73403-5363
M	PASTEL ORANGE	73403-5362
L	CARMINE RED	73403-5361
Z	WATER BLUE	73403-5360
K	CURRY YELLOW	73403-5359
I	BEIGE	73403-5358
H	VIOLET	73403-5357
G	GRAY	73403-5356
F	BROWN	73403-5355
E	GREEN	73403-5354
D	BORDEAUXVIOLET	73403-5353
C	BLUE	73403-5352
B	SINGLE WHITE	73403-5351
A	BLACK	73403-5350
KEYING CODE	COLOR	PART NO.

FUNCTIONAL SYMBOLS $\frac{E}{A} = 0$ $\frac{E}{C} = 0$ $\frac{E}{P} = 0$	THIS DRAWING CONTAINS INFORMATION THAT IS PROPRIETARY TO MOLEX ELECTRONIC TECHNOLOGIES, LLC AND SHOULD NOT BE USED WITHOUT WRITTEN PERMISSION	DIMENSION UNITS: HYBRID SCALE: NTS	CURRENT REV DESC: EC NO: 645432 DRWN: ELIN CHK'D: YCHENG APPR: YCHENG			
	GENERAL TOLERANCES (UNLESS SPECIFIED) ANGULAR TOL $\pm 2.0^\circ$	4 PLACES \pm 3 PLACES \pm 2 PLACES \pm 1 PLACE \pm 0 PLACES \pm	2020/07/13 2020/09/29 2020/09/29			
DIVISIONAL SYMBOLS DRAFT WHERE APPLICABLE MUST REMAIN WITHIN DIMENSIONS	THIRD ANGLE PROJECTION	DRAWING: C-SIZE	INITIAL REVISION: DRWN: ELIN APPR: YCHENG	2015/10/21 2015/10/26	DOCUMENT NUMBER: SD-73403-535	DOC TYPE: PSD DOC PART: 001 REVISION: B
DOCUMENT STATUS: P1	RELEASE DATE: 2020/09/29 06:17:41	MATERIAL NUMBER: SEE TABLE	CUSTOMER: GENERAL MARKET	SHEET NUMBER: 2 OF 2		