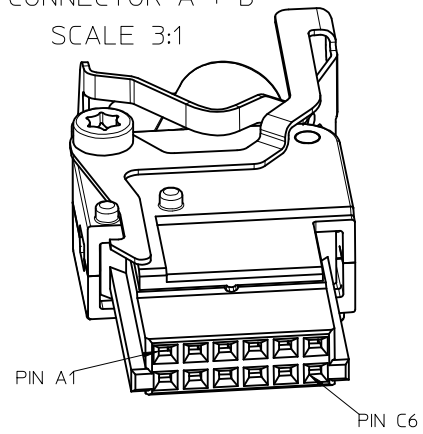


CONNECTOR A + B
SCALE 3:1



WIRE UP

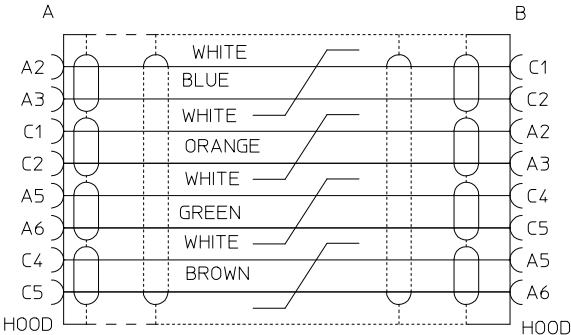


CHART					
CABLE ASSEMBLY					
ERICSSON MATERIAL NO.:	RPM 513 1681	/00500	/03000	/05000	UNIT
MOLEX REVISION NUMBER		R9	R9	R9	
MOLEX MATERIAL NO.:	85372-	0011	0012	0019	
LENGTH CABLE ASSEMBLY (L)		0.5	3.0	5.0	M

NOTES:

1- LABEL MARKING WITH ERICSSON NUMBER:
RPM 513 1681/xxxxx RE. Y YEAR/ WEEK MG
xxxxx= CABLE LENGTH (ZERO MUST BE WRITTEN)
Y= CURRENT MOLEX REVISION NUMBER

FOR EXAMPLE= RPM 513 1681/00500 R9 02/03 MG

	LENGTH	TOLERANCE
FINISHED CABLE	L < 0.5 M	±5 MM
	0.5 M < L < 1.0 M	±10 MM
	L > 1 M	±1% L

2- L= STRETCHED LENGTH OF CABLE BETWEEN HOOD ENTRIES

EC NO: MG2002-0550 DRWN: EROEZDE 2002/05/16 CHYKD: TREMHOF 2002/05/17 APPR: HKONRAD 2002/05/17	QUALITY SYMBOLS 	GENERAL TOLERANCES (UNLESS SPECIFIED)		SCALE 2:1	DESIGN UNITS METRIC	THIRD ANGLE PROJECTION	REVISE ON CAD ONLY	
			mm	INCH	DIMENSION STYLE MM ONLY		TITLE EMILY SIGNAL CABLE ASSY. SIG. - SIG. RPM 513 1681 + UX	
		4 PLACES	± ---	± ---	DRAWN BY DATE EROEZDE 02/05/15		MOLEX MOLEX INCORPORATED	
		3 PLACES	± ---	± ---	CHECKED BY DATE TREMHOF 02/05/15		MATERIAL NO. DOCUMENT NO. SHEET NO. SEE CHART SD-85372-014 1 OF 1	
	2 PLACES	± 0.05	± ---	APPROVED BY DATE HKONRAD 02/05/15		THIS DRAWING CONTAINS INFORMATION THAT IS PROPRIETARY TO MOLEX INCORPORATED AND SHOULD NOT BE USED WITHOUT WRITTEN PERMISSION		
	1 PLACE	± 0.10	± ---	DRAFT WHERE APPLICABLE MUST REMAIN WITHIN DIMENSIONS		A3		