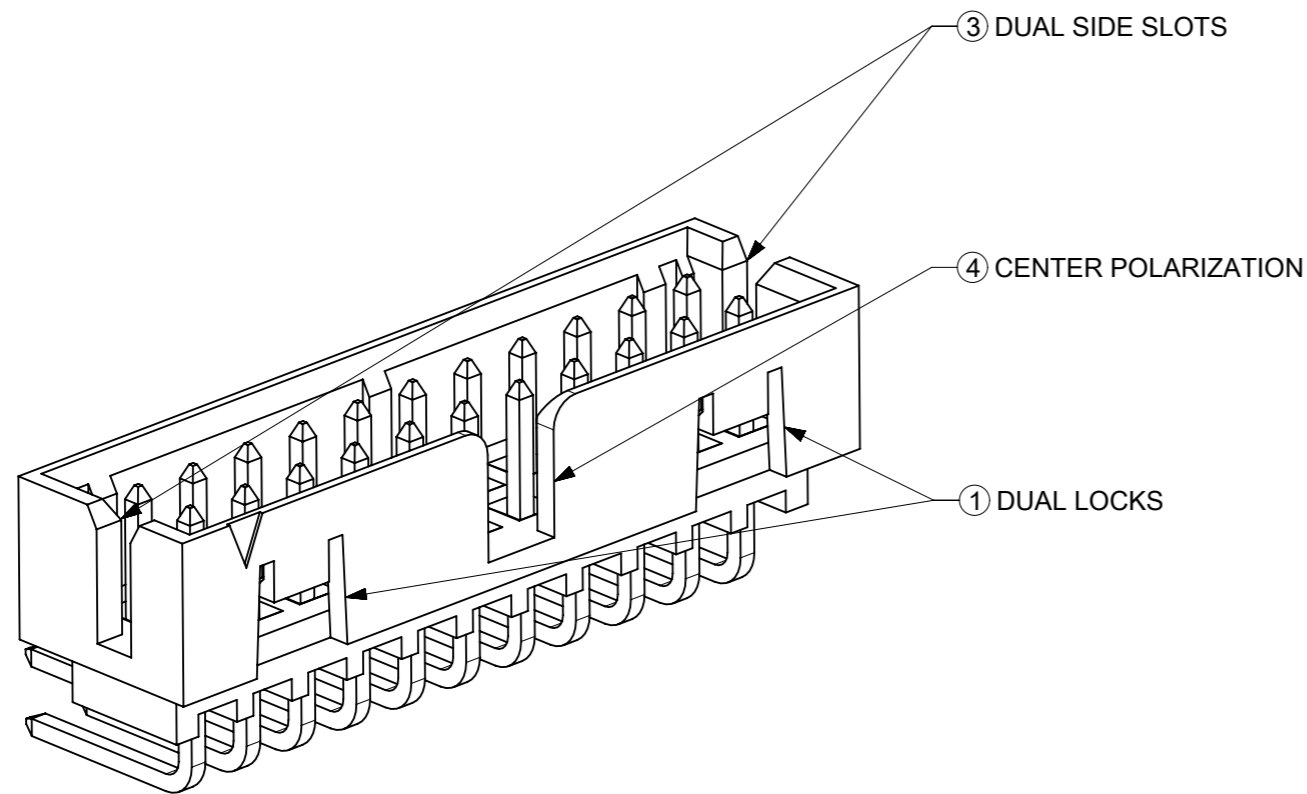
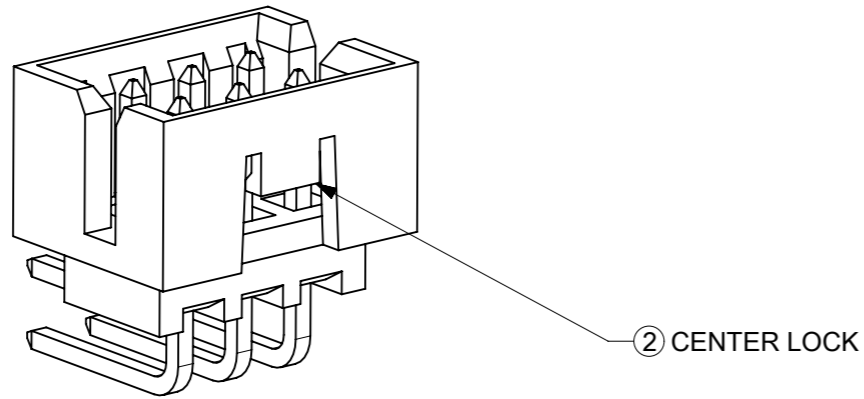


FEATURES SELECTION GUIDE

CIRCUIT SIZE	FEATURES				SHEET NO
	FRICTION LOCKS		③ DUAL SIDE SLOTS	④ CENTER POLARIZATION	
	① DUAL	② CENTER			
4 TO 6	N.A	N.A	YES	N.A	2 - 3
	N.A	YES	YES	N.A	
8 TO 12	N.A	N.A	YES	YES	4 - 5
	N.A	YES	YES	N.A	
14 TO 50	YES	N.A	YES	YES	6 - 9
	N.A	N.A	YES	YES	



PACKAGING SPECIFICATION TABLE

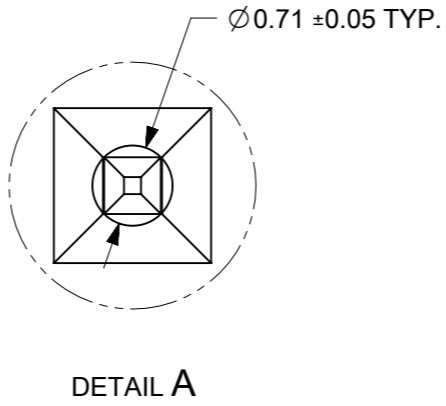
TAPE AND REEL PACKAGING	PK-87831-300
TUBE STANDARD PACKAGING	PK-87831-001
TUBE NON-STANDARD PACKAGING FOR: 87833-0861 87833-1420	PK-87831-002

THIS DRAWING CONTAINS INFORMATION THAT IS PROPRIETARY TO MOLEX ELECTRONIC TECHNOLOGIES, LLC AND SHOULD NOT BE USED WITHOUT WRITTEN PERMISSION

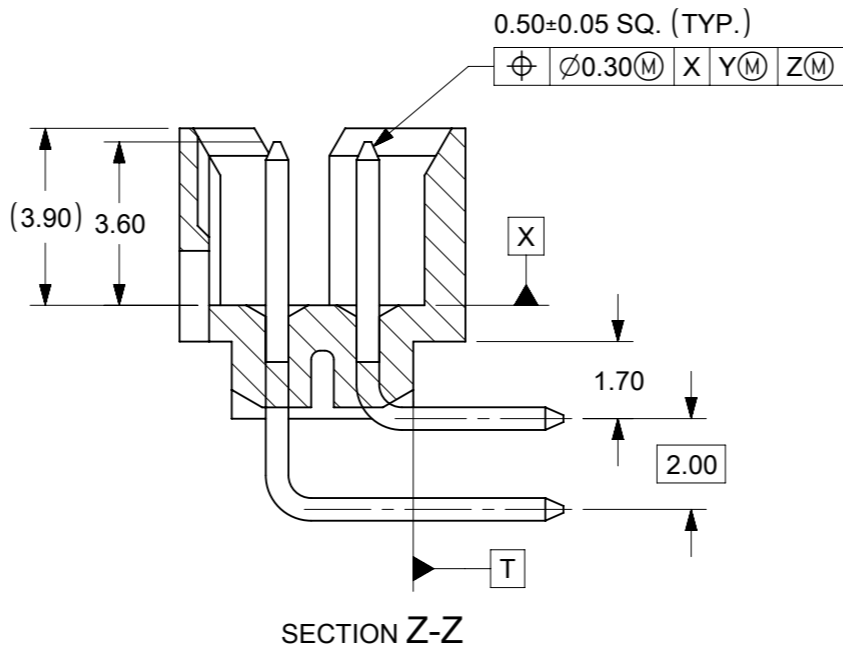
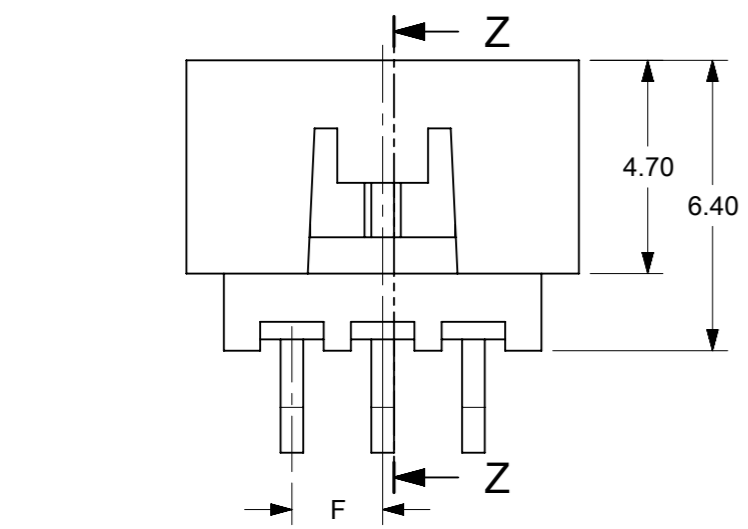
EC NO: 727481 DRWN: DANUSA CHK'D: DANUSA REV APPR: MIRAMAKRISHNA	2022/11/07	GENERAL TOLERANCES (UNLESS SPECIFIED)	DIMENSION UNITS		SCALE			
	2022/11/07		MM	INCH	MM	NTS		
	2022/11/07		4 PLACES ±	±	DRWN BY	DATE		MILLIGRID, 2MM PITCH SHROUDED HEADER R/A, THROUGH HOLE
			3 PLACES ±	±	GMENARLY	2015/09/29		
			2 PLACES ± 0.2	±	CHK'D BY	DATE		
	1 PLACES ±	±	CGOH	2015/10/30				
	0 PLACES ±	±	APPR BY	DATE				
		ANGULAR TOL = 3.0	KHLIM	2015/11/03	PRODUCT CUSTOMER DRAWING			
		DRAFT WHERE APPLICABLE MUST REMAIN WITHIN DIMENSIONS	DRAWING SIZE	THIRD ANGLE PROJECTION	SERIES	MATERIAL NUMBER	CUSTOMER	
A14			A3		87833	SEE TABLE	GENERAL MARKET	
					DOCUMENT NUMBER	DOC TYPE	DOC PART	SHEET NUMBER
					SD-87833-0001	PSD	001	1 OF 9



4 TO 6 CIRCUITS



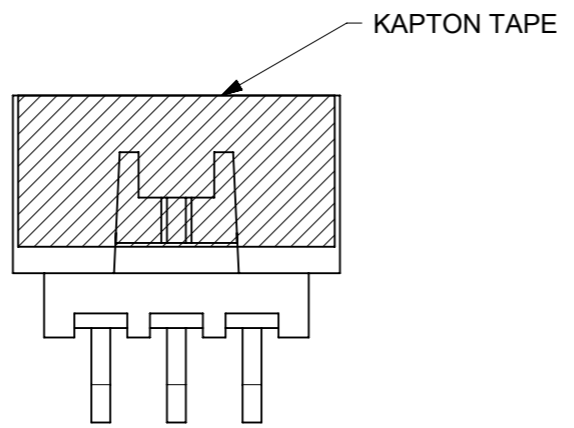
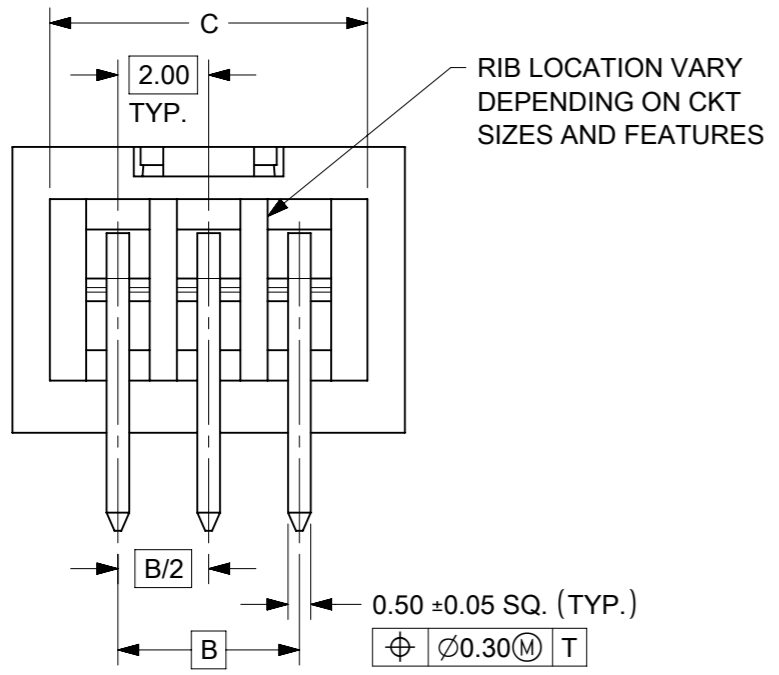
ISO VIEW OF HEADER
DUAL SIDE SLOTS



RECOMMENDED PCB LAYOUT

NOTES:

1. MATERIALS:
HOUSING: 30% GF, NYLON, UL94V-0, COLOR: BLACK.
PIN: 0.50mm SQ. PHOSPHOR BRONZE.
2. FINISHES: REFER TO PLATING OPTIONS.
3. PRODUCT SPECIFICATION: PS-87831-027
4. PACKAGING SPECIFICATION: SEE PACKAGING SPECS TABLE ON SHEET 1
5. MATES WITH: A. MOLEX CRIMP RECEPTACLE HOUSING: 51110 SERIES AND CRIMP TERMINAL: 50394 SERIES.
B. MOLEX 2MM MILLIGRID DUAL ROW IDT: 87568 SERIES.
C. MOLEX 2MM MILLIGRID DUAL ROW RECEPTACLE: 79107 (GOLD PLATED), 78787 (TIN PLATED)
6. FOR ILLUSTRATION PURPOSE, 6 CIRCUITS HEADER IS SHOWN.



THIS DRAWING CONTAINS INFORMATION THAT IS PROPRIETARY TO MOLEX ELECTRONIC TECHNOLOGIES, LLC AND SHOULD NOT BE USED WITHOUT WRITTEN PERMISSION

EC NO: 727481 DRWN: DANUSA CHK'D: DANUSA REV APPR: MIRAMAKRISHNA	2022/11/07	GENERAL TOLERANCES (UNLESS SPECIFIED)		DIMENSION UNITS	SCALE				
	2022/11/07	MM	INCH	MM	NTS				
	2022/11/07	4 PLACES ±	±	DRWN BY	DATE		MILLIGRID, 2MM PITCH SHROUDED HEADER R/A, THROUGH HOLE		
		3 PLACES ±	±	GMENARLY	2015/09/29				
		2 PLACES ± 0.2	±	CHK'D BY	DATE				
	1 PLACES ±	±	CGOH	2015/10/30					
	0 PLACES ±	±	APPR BY	DATE					
		ANGULAR TOL = 3.0		KHLIM	2015/11/03	PRODUCT CUSTOMER DRAWING			
		DRAFT WHERE APPLICABLE MUST REMAIN WITHIN DIMENSIONS		DRAWING SIZE	THIRD ANGLE PROJECTION	SERIES	MATERIAL NUMBER	CUSTOMER	
				A3		87833	SEE TABLE	GENERAL MARKET	
						DOCUMENT NUMBER	DOC TYPE	DOC PART	SHEET NUMBER
						SD-87833-0001	PSD	001	2 OF 9

4 TO 6 CIRCUITS

CKT SIZE	ASSY. P/N WITHOUT KAPTON IN TUBE	ASSY. P/N WITH KAPTON IN TUBE	ASSY. P/N WITH KAPTON IN T&R	PLATING OPTIONS	FRICTION LOCKS		DUAL SIDE SLOTS	CENTER POLARIZATION	DIMENSION							
					DUAL	CENTER			A	B	C	D	E	F	G (SOLDER TAIL)	
4	87833-0419	N.A	N.A	1	N.A	N.A	YES	N.A	6.65	2.00	5.00	4.85	N.A	N.A	2.16	
	87833-0420	N.A	N.A	2												
	87833-0421	N.A	N.A	3												
	87833-5920	N.A	N.A	2	N.A	N.A	YES	N.A						N.A	1.00	2.16
	87833-0431	87833-0441	87833-0451	2	N.A	YES	YES	N.A								
	87833-0432	N.A	N.A	3	N.A	YES	YES	N.A						1.00	3.18	
	87833-0461	N.A	N.A	2												
87833-0619	N.A	N.A	1	N.A					N.A	YES	N.A	N.A	2.16			
87833-0620	N.A	87833-0626	2													
87833-0621	N.A	N.A	3													
87833-6420	N.A	N.A	2		N.A	YES	YES	N.A						N.A	3.18	
87833-0631	87833-0641	87833-0651	2													
87833-0632	N.A	N.A	3		N.A	YES	YES	N.A						2.00	2.16	
87833-0661	N.A	N.A	2													
87833-0624	N.A	N.A	2													N.A
87833-0625	N.A	N.A	3													

PLATING OPTIONS:

- 1 - 0.05-0.13µm/2-5µin GOLD IN CONTACT AREA AND
1.88µm/75µin MIN. MATTE TIN IN SOLDER TAIL AREA OVER
1.27µm/50µin MIN. NICKEL OVERALL.
- 2 - 0.38µm/15µin MIN. GOLD IN CONTACT AREA AND
1.88µm/75µin MIN. MATTE TIN IN SOLDER TAIL AREA OVER
1.27µm/50µin MIN. NICKEL OVERALL.
- 3 - 0.76µm/30µin MIN. GOLD IN CONTACT AREA AND
1.88µm/75µin MIN. MATTE TIN IN SOLDER TAIL AREA OVER
1.27µm/50µin MIN. NICKEL OVERALL.

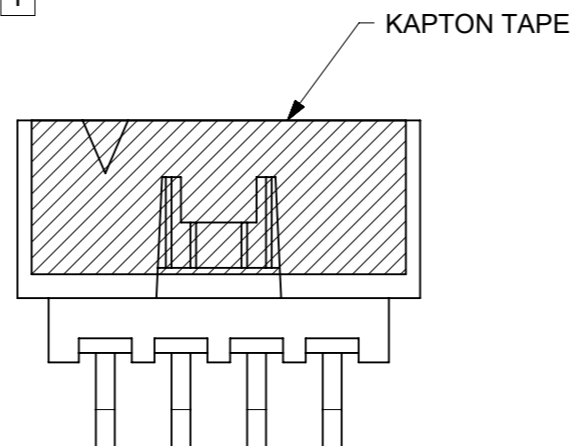
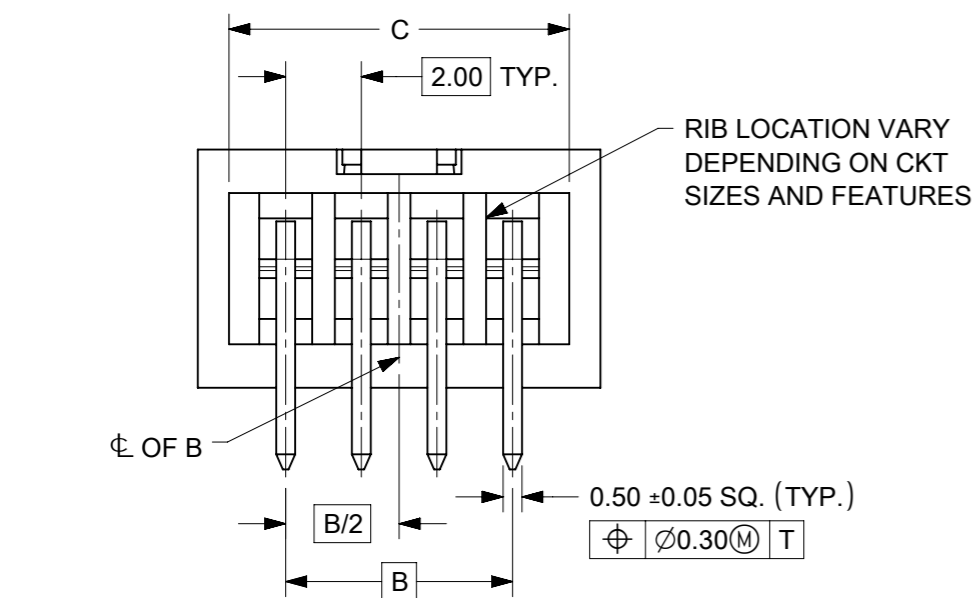
THIS DRAWING CONTAINS INFORMATION THAT IS PROPRIETARY TO MOLEX ELECTRONIC TECHNOLOGIES, LLC AND SHOULD NOT BE USED WITHOUT WRITTEN PERMISSION

EC NO: 727481 DRWN: DANUSA CHK'D: DANUSA REV APPR: MIRAMAKRISHNA	2022/11/07	2022/11/07	2022/11/07	GENERAL TOLERANCES (UNLESS SPECIFIED)		DIMENSION UNITS		SCALE		 MILLIGRID, 2MM PITCH SHROUDED HEADER R/A, THROUGH HOLE				
				MM	INCH	MM	NTS							
		4 PLACES	±	±	DRWN BY	DATE	GMENARLY		2015/09/29		PRODUCT CUSTOMER DRAWING SERIES: 87833 MATERIAL NUMBER: SEE TABLE CUSTOMER: GENERAL MARKET			
		3 PLACES	±	±	CHK'D BY	DATE	CGOH		2015/10/30					
		2 PLACES	± 0.2	±	APPR BY	DATE	KHLIM		2015/11/03		DOCUMENT NUMBER: SD-87833-0001 DOC TYPE: PSD DOC PART: 001 SHEET NUMBER: 3 OF 9			
		1 PLACES	±	±	DRAWING SIZE	THIRD ANGLE PROJECTION	A3							
	0 PLACES	±	±	ANGULAR TOL = 3.0		DRAFT WHERE APPLICABLE MUST REMAIN WITHIN DIMENSIONS								

8 TO 12 CIRCUITS



ISO VIEW OF HEADER WITH CENTER POLARIZATION AND DUAL SIDE SLOTS



- NOTES:
- MATERIALS:
HOUSING: 30% GF, NYLON, UL94V-0, COLOR: BLACK
PIN: 0.50mm SQ. PHOSPHOR BRONZE.
 - FINISHES: REFER TO PLATING OPTIONS.
 - PRODUCT SPECIFICATION: PS-87831-027
 - PACKAGING SPECIFICATION: SEE PACKAGING SPECS TABLE ON SHEET 1
 - MATES WITH: A. MOLEX CRIMP RECEPTACLE HOUSING: 51110 SERIES AND CRIMP TERMINAL: 50394 SERIES.
B. MOLEX 2mm MILLIGRID DUAL ROW IDT: 87568 SERIES.
C. MOLEX 2mm MILLIGRID DUAL ROW RECEPTACLE: 79107 (GOLD PLATED), 78787 (TIN PLATED)
 - FOR ILLUSTRATION PURPOSE, 8 CIRCUIT HEADER IS SHOWN.

THIS DRAWING CONTAINS INFORMATION THAT IS PROPRIETARY TO MOLEX ELECTRONIC TECHNOLOGIES, LLC AND SHOULD NOT BE USED WITHOUT WRITTEN PERMISSION

EC NO: 727481 DRWN: DANUSA CHK'D: DANUSA REV APPR: MIRAMAKRISHNA	2022/11/07	GENERAL TOLERANCES (UNLESS SPECIFIED)		DIMENSION UNITS		SCALE		<p>MILLIGRID, 2MM PITCH SHROUDED HEADER R/A, THROUGH HOLE</p> <p>PRODUCT CUSTOMER DRAWING</p> <p>SERIES: 87833 MATERIAL NUMBER: SEE TABLE CUSTOMER: GENERAL MARKET</p> <p>DOCUMENT NUMBER: SD-87833-0001 DOC TYPE: PSD DOC PART: 001 SHEET NUMBER: 4 OF 9</p>			
	2022/11/07	MM	INCH	MM	NTS						
	2022/11/07	DRWN BY	DATE	GMENARLY	2015/09/29						
		CHK'D BY	DATE	CGOH	2015/10/30						
		APPR BY	DATE	KHLIM	2015/11/03						
A14	REV	ANGULAR TOL = 3.0		DRAWING SIZE	THIRD ANGLE PROJECTION						
		DRAFT WHERE APPLICABLE MUST REMAIN WITHIN DIMENSIONS		A3							

8 TO 12 CIRCUITS

CKT SIZE	ASSY. P/N WITHOUT KAPTON IN TUBE	ASSY. P/N WITH KAPTON IN TUBE	ASSY. P/N WITH KAPTON IN T&R	PLATING OPTIONS	FRICTION LOCKS		DUAL SIDE SLOTS	CENTER POLARIZATION	DIMENSION							
					DUAL	CENTER			A	B	C	D	E	F	G (SOLDER TAIL)	
8	87833-0819	N.A	N.A	1	N.A	N.A	YES	YES	10.65	6.00	9.00	8.85	N.A	N.A	2.16	
	87833-0820	N.A	N.A	2												
	87833-0821	N.A	87833-7621	3												
	87833-6320	N.A	N.A	2	N.A	N.A	YES	YES						N.A	3.00	2.16
	87833-6321	N.A	N.A	3												
	87833-0831	87833-0841	87833-0851	2	N.A	YES	YES	N.A						3.00	3.18	
	87833-0832	N.A	N.A	3												
	87833-0861	N.A	N.A	2	N.A	YES	YES	N.A						3.00	3.18	
	87833-0824	N.A	N.A	2												
	87833-0825	N.A	N.A	3	N.A	N.A	YES	YES						N.A	2.92	
87833-1019	N.A	N.A	1													
10	87833-1020	N.A	87833-1026	2	N.A	N.A	YES	YES	12.65	8.00	11.00	10.85	N.A	N.A	2.16	
	87833-1021	N.A	N.A	3												
	87833-1031	N.A	87833-1027	2												
	87833-1032	N.A	N.A	3	N.A	YES	YES	N.A						4.00	2.16	
	N.A	87833-1041	87833-1051	2												
	87833-1024	N.A	N.A	2	N.A	N.A	YES	YES						N.A	2.92	
	87833-1025	N.A	N.A	3												
	12	87833-1219	N.A	N.A	1	N.A	N.A	YES						YES	14.65	10.00
87833-1220		N.A	87833-1240	2												
87833-1221		N.A	N.A	3												
87833-6020		N.A	N.A	2	N.A	N.A	YES	YES	N.A	3.18						
87833-1231		N.A	N.A	2												
87833-1232		N.A	N.A	3	N.A	YES	YES	N.A	5.00	2.16						
87833-1224		N.A	N.A	2												
87833-1225		N.A	N.A	3	N.A	N.A	YES	YES	N.A	2.92						

PLATING OPTIONS:

- 1 - 0.05-0.13µm/2-5µin GOLD IN CONTACT AREA AND 1.88µm/75µin MIN. MATTE TIN IN SOLDER TAIL AREA OVER 1.27µm/50µin MIN. NICKEL OVERALL.
- 2 - 0.38µm/15µin MIN. GOLD IN CONTACT AREA AND 1.88µm/75µin MIN. MATTE TIN IN SOLDER TAIL AREA OVER 1.27µm/50µin MIN. NICKEL OVERALL.
- 3 - 0.76µm/30µin MIN. GOLD IN CONTACT AREA AND 1.88µm/75µin MIN. MATTE TIN IN SOLDER TAIL AREA OVER 1.27µm/50µin MIN. NICKEL OVERALL.

THIS DRAWING CONTAINS INFORMATION THAT IS PROPRIETARY TO MOLEX ELECTRONIC TECHNOLOGIES, LLC AND SHOULD NOT BE USED WITHOUT WRITTEN PERMISSION

EC NO: 727481 DRWN: DANUSA CHKD: DANUSA REV APPR: MIRAMAKRISHNA	2022/11/07	2022/11/07	2022/11/07	GENERAL TOLERANCES (UNLESS SPECIFIED)		DIMENSION UNITS		SCALE		 <p>MILLIGRID, 2MM PITCH SHROUDED HEADER R/A, THROUGH HOLE</p> <p>PRODUCT CUSTOMER DRAWING</p>			
	MM	INCH	MM	NTS	DRWN BY	DATE	GMENARLY	2015/09/29					
4 PLACES	±	±	3 PLACES	±	±	CHK'D BY	DATE	CGOH	2015/10/30	<p>SERIES: 87833</p> <p>MATERIAL NUMBER: SEE TABLE</p> <p>CUSTOMER: GENERAL MARKET</p>			
2 PLACES	±	0.2	1 PLACES	±	±	APPR BY	DATE	KHLIM	2015/11/03				
0 PLACES	±	±	ANGULAR TOL = 3.0		DRAWING SIZE		THIRD ANGLE PROJECTION		<p>DOCUMENT NUMBER: SD-87833-0001</p> <p>DOC TYPE: PSD</p> <p>DOC PART: 001</p> <p>SHEET NUMBER: 5 OF 9</p>				
DRAFT WHERE APPLICABLE MUST REMAIN WITHIN DIMENSIONS				A3									

RELEASE STATUS	P1	RELEASE DATE	2022/11/07	17:03:16
----------------	----	--------------	------------	----------

14 TO 50 CIRCUITS



ISO VIEW OF HEADER WITH CENTER POLARIZATION AND DUAL SIDE SLOTS



- NOTES:**
- MATERIALS:**
HOUSING: 30% GF, NYLON, UL94V-0, COLOR: BLACK.
PIN: 0.50mm SQ PHOSPHOR BRONZE.
 - FINISHES:** REFER TO PLATING OPTIONS.
 - PRODUCT SPECIFICATION:** PS-87831-027
 - PACKAGING SPECIFICATION:** SEE PACKAGING SPECS TABLE ON SHEET 1
 - MATES WITH:** A. MOLEX CRIMP RECEPTACLE HOUSING: 51110 SERIES AND CRIMP TERMINAL: 50394 SERIES.
B. MOLEX 2mm MILLIGRID DUAL ROW IDT: 87568 SERIES.
C. MOLEX 2mm MILLIGRID DUAL ROW RECEPTACLE: 79107 (GOLD PLATED), 78787 (TIN PLATED)
 - FOR ILLUSTRATION PURPOSE, 22 CIRCUITS HEADER IS SHOWN.**

THIS DRAWING CONTAINS INFORMATION THAT IS PROPRIETARY TO MOLEX ELECTRONIC TECHNOLOGIES, LLC AND SHOULD NOT BE USED WITHOUT WRITTEN PERMISSION

EC NO: 727481 DRWN: DANUSA CHK'D: DANUSA REV APPR: MIRAMAKRISHNA	2022/11/07	GENERAL TOLERANCES (UNLESS SPECIFIED)		DIMENSION UNITS	SCALE	
	2022/11/07	MM	INCH	MM	NTS	
	2022/11/07	4 PLACES ±	±	DRWN BY	DATE	
		3 PLACES ±	±	GMENARLY	2015/09/29	
		2 PLACES ± 0.2	±	CHK'D BY	DATE	MILLIGRID, 2MM PITCH SHROUDED HEADER R/A, THROUGH HOLE
		1 PLACES ±	±	CGOH	2015/10/30	
		0 PLACES ±	±	APPR BY	DATE	
				KHLIM	2015/11/03	PRODUCT CUSTOMER DRAWING
		ANGULAR TOL = 3.0		DRAWING SIZE	THIRD ANGLE PROJECTION	SERIES
		DRAFT WHERE APPLICABLE MUST REMAIN WITHIN DIMENSIONS		A3		87833
						MATERIAL NUMBER
						SEE TABLE
						CUSTOMER
						GENERAL MARKET
						DOCUMENT NUMBER
						SD-87833-0001
						DOC TYPE
						PSD
						DOC PART
						001
						SHEET NUMBER
						6 OF 9

14 TO 24 CIRCUITS

CKT SIZE	ASSY. P/N WITHOUT KAPTON IN TUBE	ASSY. P/N WITH KAPTON IN TUBE	ASSY. P/N WITH KAPTON IN T&R	ASSY. P/N WITHOUT KAPTON IN T&R	PLATING OPTIONS	FRICTION LOCKS		DUAL SIDE SLOTS	CENTER POLARIZATION	DIMENSION																
						DUAL	CENTER			A	B	C	D	E	F	G (SOLDER TAIL)										
14	87833-1419	N.A	N.A	N.A	1	YES	N.A	YES	YES	16.65	12.00	15.00	14.85	8.00	N.A	2.16										
	87833-1420	N.A	N.A	N.A	2																					
	87833-1421	N.A	N.A	N.A	3																					
	87833-5320	N.A	N.A	N.A	2	YES	N.A	YES	YES							16.65	12.00	15.00	14.85	8.00	N.A	3.18				
	87833-5321	N.A	N.A	N.A	3																					
	87833-1436	N.A	N.A	N.A	3																					
	N.A	N.A	87833-7420	N.A	2																					
16	87833-1619	N.A	N.A	N.A	1	YES	N.A	YES	YES	18.65	14.00	17.00	16.85	10.00	N.A							2.16				
	87833-1620	N.A	N.A	N.A	2																					
	87833-1621	N.A	87833-7821	N.A	3																					
	87833-6120	N.A	87833-7120	N.A	2																					
18	87833-1819	N.A	N.A	N.A	1	YES	N.A	YES	YES	20.65	16.00	19.00	18.85	12.00	N.A	2.16										
	87833-1820	N.A	N.A	N.A	2																					
	87833-1821	N.A	N.A	N.A	3																					
	87833-6220	N.A	N.A	N.A	2																					
20	87833-2019	N.A	N.A	N.A	1	YES	N.A	YES	YES	22.65	18.00	21.00	20.85	14.00	N.A	2.16										
	87833-2020	N.A	87833-7220	N.A	2																					
	87833-2021	N.A	N.A	N.A	3																					
	87833-6520	N.A	N.A	N.A	2	YES	N.A	YES	YES							22.65	18.00	21.00	20.85	14.00	N.A	3.18				
	87833-6521	N.A	N.A	(A14) 87833-2037	3																					
	87833-2036	N.A	N.A	N.A	3																					
87833-2219	N.A	N.A	N.A	1																						
22	87833-2220	N.A	N.A	N.A	2	YES	N.A	YES	YES	24.65	20.00	23.00	22.85	16.00	N.A							2.16				
	87833-2221	N.A	N.A	N.A	3																					
	87833-2419	N.A	N.A	N.A	1																					
24	87833-2420	N.A	87833-7020	N.A	2	YES	N.A	YES	YES	26.65	22.00	25.00	24.85	18.00	N.A	2.16										
	87833-2421	N.A	N.A	N.A	3																					
	87833-7320	N.A	N.A	N.A	2											YES	N.A	YES	YES	26.65	22.00	25.00	24.85	18.00	N.A	2.00
	87833-2436	N.A	N.A	N.A	3																					
	87833-6920	N.A	N.A	N.A	2																					
	87833-6920	N.A	N.A	N.A	2																					

PLATING OPTIONS:

- 1 - 0.05-0.13µm/2-5µin GOLD IN CONTACT AREA AND 1.88µm/75µin MIN. MATTE TIN IN SOLDER TAIL AREA OVER 1.27µm/50µin MIN. NICKEL OVERALL.
- 2 - 0.38µm/15µin MIN. GOLD IN CONTACT AREA AND 1.88µm/75µin MIN. MATTE TIN IN SOLDER TAIL AREA OVER 1.27µm/50µin MIN. NICKEL OVERALL.
- 3 - 0.76µm/30µin MIN. GOLD IN CONTACT AREA AND 1.88µm/75µin MIN. MATTE TIN IN SOLDER TAIL AREA OVER 1.27µm/50µin MIN. NICKEL OVERALL.

THIS DRAWING CONTAINS INFORMATION THAT IS PROPRIETARY TO MOLEX ELECTRONIC TECHNOLOGIES, LLC AND SHOULD NOT BE USED WITHOUT WRITTEN PERMISSION

EC NO: 727481 DRWN: DANUSA CHK'D: DANUSA REV APPR: MIRAMAKRISHNA 2022/11/07 2022/11/07 2022/11/07	GENERAL TOLERANCES (UNLESS SPECIFIED)		DIMENSION UNITS		SCALE									
			MM	INCH	MM	NTS								
	4 PLACES	±		±	DRWN BY	DATE		MILLIGRID, 2MM PITCH SHROUDED HEADER R/A, THROUGH HOLE						
	3 PLACES	±		±	GMENARLY	2015/09/29								
	2 PLACES	± 0.2		±	CHK'D BY	DATE								
	1 PLACES	±		±	CGOH	2015/10/30		PRODUCT CUSTOMER DRAWING						
0 PLACES	±		±	APPR BY	DATE									
ANGULAR TOL = 3.0			DRAWING SIZE	THIRD ANGLE PROJECTION		KHLIM		2015/11/03		SERIES	MATERIAL NUMBER	CUSTOMER		
DRAFT WHERE APPLICABLE MUST REMAIN WITHIN DIMENSIONS			A3			87833	SEE TABLE	GENERAL MARKET						
RELEASE STATUS		P1	RELEASE DATE		2022/11/07	17:03:16		DOCUMENT NUMBER		SD-87833-0001		DOC TYPE	DOC PART	SHEET NUMBER
												PSD	001	7 OF 9

26 TO 38 CIRCUITS

CKT SIZE	ASSY. P/N WITHOUT KAPTON IN TUBE	ASSY. P/N WITH KAPTON IN TUBE	ASSY. P/N WITH KAPTON IN T&R	PLATING OPTIONS	FRICTION LOCKS		DUAL SIDE SLOTS	CENTER POLARIZATION	DIMENSION						
					DUAL	CENTER			A	B	C	D	E	F	G (SOLDER TAIL)
26	87833-2619	N.A	N.A	1					28.65	24.00	27.00	26.85	20.00	N.A	2.16
	87833-2620	N.A	N.A	2	YES	N.A	YES	YES							
	87833-2621	N.A	N.A	3											
	87833-2636	N.A	N.A	3	YES	N.A	YES	YES							3.50
28	87833-2819	N.A	N.A	1					30.65	26.00	29.00	28.85	22.00	N.A	2.16
	87833-2820	N.A	N.A	2	YES	N.A	YES	YES							
	87833-2821	N.A	N.A	3											
	87833-6620	N.A	N.A	2	YES	N.A	YES	YES							3.18
30	87833-3019	N.A	N.A	1					32.65	28.00	31.00	30.85	24.00	N.A	2.16
	87833-3020	N.A	N.A	2	YES	N.A	YES	YES							
	87833-3021	N.A	N.A	3											
	87833-6720	N.A	N.A	2	YES	N.A	YES	YES							3.18
	87833-6721	N.A	N.A	3											
	87833-3036	N.A	N.A	3	YES	N.A	YES	YES							3.50
32	87833-3219	N.A	N.A	1					34.65	30.00	33.00	32.85	26.00	N.A	2.16
	87833-3220	N.A	N.A	2	YES	N.A	YES	YES							
	87833-3221	N.A	N.A	3											
34	87833-3419	N.A	N.A	1					36.65	32.00	35.00	34.85	28.00	N.A	2.16
	87833-3420	N.A	N.A	2	YES	N.A	YES	YES							
	87833-3421	N.A	N.A	3											
	87833-5420	N.A	N.A	2	YES	N.A	YES	YES							3.18
	87833-3424	N.A	N.A	2	N.A	N.A	YES	YES							2.92
36	87833-3619	N.A	N.A	1					38.65	34.00	37.00	36.85	30.00	N.A	2.16
	87833-3620	N.A	N.A	2	YES	N.A	YES	YES							
	87833-3621	N.A	N.A	3											
38	87833-3819	N.A	N.A	1					40.65	36.00	39.00	38.85	32.00	N.A	2.16
	87833-3820	N.A	N.A	2	YES	N.A	YES	YES							
	87833-3821	N.A	N.A	3											

PLATING OPTIONS:

- 1 - 0.05-0.13µm/2-5µin GOLD IN CONTACT AREA AND 1.88µm/75µin MIN. MATTE TIN IN SOLDER TAIL AREA OVER 1.27µm/50µin MIN. NICKEL OVERALL.
- 2 - 0.38µm/15µin MIN. GOLD IN CONTACT AREA AND 1.88µm/75µin MIN. MATTE TIN IN SOLDER TAIL AREA OVER 1.27µm/50µin MIN. NICKEL OVERALL.
- 3 - 0.76µm/30µin MIN. GOLD IN CONTACT AREA AND 1.88µm/75µin MIN. MATTE TIN IN SOLDER TAIL AREA OVER 1.27µm/50µin MIN. NICKEL OVERALL.

THIS DRAWING CONTAINS INFORMATION THAT IS PROPRIETARY TO MOLEX ELECTRONIC TECHNOLOGIES, LLC AND SHOULD NOT BE USED WITHOUT WRITTEN PERMISSION

EC NO: 727481 DRWN: DANUSA CHKD: DANUSA REV APPR: MIRAMAKRISHNA	2022/11/07	GENERAL TOLERANCES (UNLESS SPECIFIED)		DIMENSION UNITS		SCALE		molex®			
	2022/11/07	MM	INCH	MM	NTS	MILLIGRID, 2MM PITCH SHROUDED HEADER R/A, THROUGH HOLE					
	2022/11/07	4 PLACES ±	±	DRWN BY	DATE					PRODUCT CUSTOMER DRAWING	
		3 PLACES ±	±	GMENARLY	2015/09/29	SERIES: 87833 MATERIAL NUMBER: SEE TABLE CUSTOMER: GENERAL MARKET					
		2 PLACES ± 0.2	±	CHK'D BY	DATE					DOCUMENT NUMBER: SD-87833-0001 DOC TYPE: PSD DOC PART: 001 SHEET NUMBER: 8 OF 9	
	1 PLACES ±	±	CGOH	2015/10/30	DRAWING SIZE: A3 THIRD ANGLE PROJECTION						
	0 PLACES ±	±	APPR BY	DATE					DRAFT WHERE APPLICABLE MUST REMAIN WITHIN DIMENSIONS		
			KHLIM	2015/11/03	ANGULAR TOL = 3.0						
									A14		

40 TO 50 CIRCUITS

CKT SIZE	ASSY. P/N WITHOUT KAPTON IN TUBE	ASSY. P/N WITH KAPTON IN TUBE	ASSY. P/N WITH KAPTON IN T&R	ASSY. P/N WITHOUT KAPTON IN T&R	PLATING OPTIONS	FRICTION LOCKS		DUAL SIDE SLOTS	CENTER POLARIZATION	DIMENSION										
						DUAL	CENTER			A	B	C	D	E	F	G (SOLDER TAIL)				
40	87833-4019	N.A	N.A	N.A	1															
	87833-4020	N.A	N.A	N.A	2	YES	N.A	YES	YES	42.65	38.00	41.00	40.85	34.00	N.A	2.16				
	87833-4021	N.A	N.A	N.A	3															
42	87833-4219	N.A	N.A	N.A	1															
	87833-4220	N.A	N.A	N.A	2	YES	N.A	YES	YES	44.65	40.00	43.00	42.85	36.00	N.A	2.16				
	87833-4221	N.A	N.A	N.A	3															
	87833-4222	N.A	87833-4322	87833-4223	3	YES	N.A	YES	YES							3.50				
44	87833-4419	N.A	N.A	N.A	1															
	87833-4420	N.A	N.A	N.A	2					44.65	40.00	43.00	42.85	2.16	42.00	45.00	44.85	38.00	N.A	2.16
	87833-4421	N.A	N.A	N.A	3															
	87833-4424	N.A	N.A	N.A	2	N.A	N.A	YES	YES											
	87833-4425	N.A	N.A	N.A	3															
46	87833-4619	N.A	N.A	N.A	1															
	87833-4620	N.A	N.A	N.A	2	YES	N.A	YES	YES	48.65	44.00	47.00	46.85	40.00	N.A	2.16				
	87833-4621	N.A	N.A	N.A	3															
48	87833-4819	N.A	N.A	N.A	1															
	87833-4820	N.A	N.A	N.A	2	YES	N.A	YES	YES	50.65	46.00	49.00	48.85	42.00	N.A	2.16				
	87833-4821	N.A	N.A	N.A	3															
50	87833-5019	N.A	N.A	N.A	1															
	87833-5020	N.A	N.A	N.A	2	YES	N.A	YES	YES	52.65	48.00	51.00	50.85	44.00	N.A	2.16				
	87833-5021	N.A	N.A	N.A	3															

PLATING OPTIONS:

- 1 - 0.05-0.13µm/2-5µin GOLD IN CONTACT AREA AND 1.88µm/75µin MIN. MATTE TIN IN SOLDER TAIL AREA OVER 1.27µm/50µin MIN. NICKEL OVERALL.
- 2 - 0.38µm/15µin MIN. GOLD IN CONTACT AREA AND 1.88µm/75µin MIN. MATTE TIN IN SOLDER TAIL AREA OVER 1.27µm/50µin MIN. NICKEL OVERALL.
- 3 - 0.76µm/30µin MIN. GOLD IN CONTACT AREA AND 1.88µm/75µin MIN. MATTE TIN IN SOLDER TAIL AREA OVER 1.27µm/50µin MIN. NICKEL OVERALL.

THIS DRAWING CONTAINS INFORMATION THAT IS PROPRIETARY TO MOLEX ELECTRONIC TECHNOLOGIES, LLC AND SHOULD NOT BE USED WITHOUT WRITTEN PERMISSION

EC NO: 727481 DRWN: DANUSA CHK'D: DANUSA REV APPR: MIRAMAKRISHNA	GENERAL TOLERANCES (UNLESS SPECIFIED)		DIMENSION UNITS		SCALE		molex®			
			MM	INCH	MM	NTS				
	4 PLACES	±			DRWN BY	DATE	MILLIGRID, 2MM PITCH SHROUDED HEADER R/A, THROUGH HOLE			
	3 PLACES	±			GMENARLY	2015/09/29				
	2 PLACES	± 0.2			CHK'D BY	DATE				
	1 PLACES	±			CGOH	2015/10/30	PRODUCT CUSTOMER DRAWING			
0 PLACES	±			APPR BY	DATE					
ANGULAR TOL = 3.0		DRAWING SIZE		THIRD ANGLE PROJECTION		SERIES	MATERIAL NUMBER	CUSTOMER		
DRAFT WHERE APPLICABLE MUST REMAIN WITHIN DIMENSIONS		A3				87833	SEE TABLE	GENERAL MARKET		
						DOCUMENT NUMBER		DOC TYPE	DOC PART	SHEET NUMBER
						SD-87833-0001		PSD	001	9 OF 9

RELEASE STATUS	P1	RELEASE DATE	2022/11/07	17:03:16
----------------	----	--------------	------------	----------