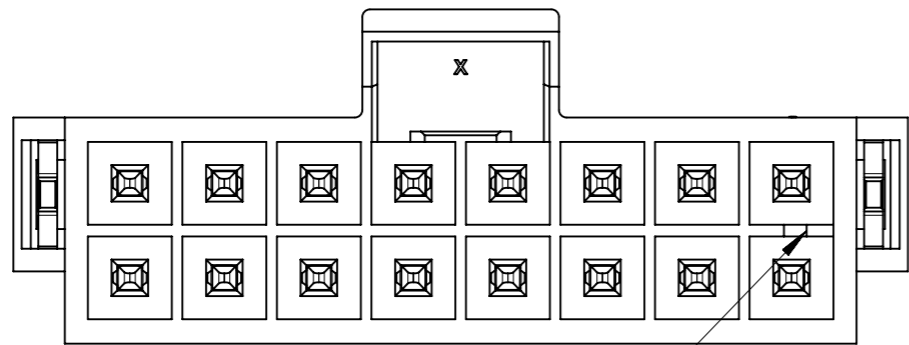


RECOMMENDED PCB(CONNECTOR SIDE VIEW)  
THICKNESS=1.6 TO 2.4 MM

FUNCTIONAL SYMBOLS	THIS DRAWING CONTAINS INFORMATION THAT IS PROPRIETARY TO MOLEX ELECTRONIC TECHNOLOGIES, LLC AND SHOULD NOT BE USED WITHOUT WRITTEN PERMISSION		CURRENT REV DESC:								
	GENERAL TOLERANCES (UNLESS SPECIFIED)	EC NO: 697101						HEADER OF NANO-FIT, D/R, CLIP, VERTICAL POWER CONNECTOR			
	ANGULAR TOL $\pm 3.0^\circ$	DRWN: GLLI 2022/02/24									
	4 PLACES $\pm$	CHK'D: XQZHANG 2022/02/25									
DIVISIONAL SYMBOLS	3 PLACES $\pm 0.1$	APPR: XQZHANG 2022/02/25		PRODUCT CUSTOMER DRAWING							
	2 PLACES $\pm 0.2$	INITIAL REVISION:		DOCUMENT NUMBER							
	1 PLACE $\pm 0.3$	DRWN: GLLI 2019/09/24		1053121000-SD							
	0 PLACES $\pm$	APPR: YXZHENG 2020/03/16		PSD 000 B1							
DRAFT WHERE APPLICABLE MUST REMAIN WITHIN DIMENSIONS		THIRD ANGLE PROJECTION	DRAWING	SERIES	MATERIAL NUMBER	CUSTOMER	SHEET NUMBER				
			A3-SIZE	105312		GENERAL MARKET	1 OF 5				

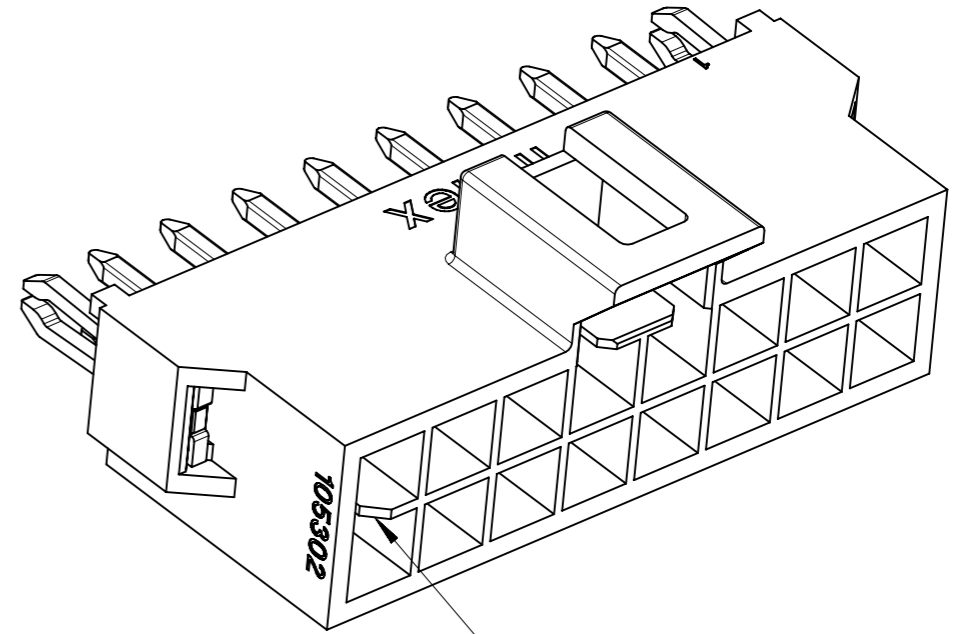


KEY A

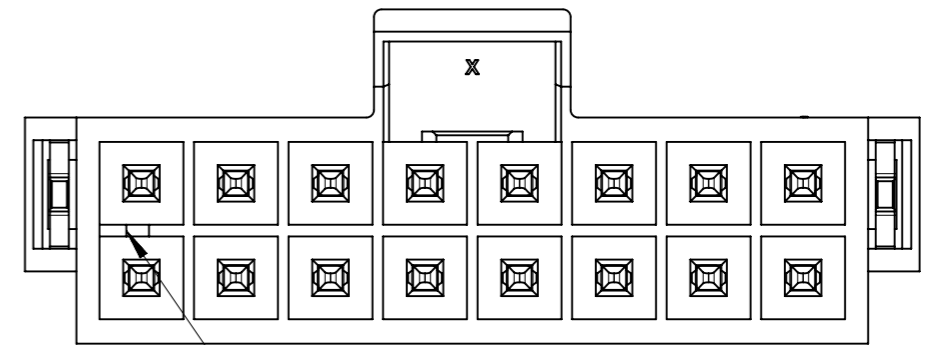


KEY A

BLACK



KEY B



KEY B

NATURAL

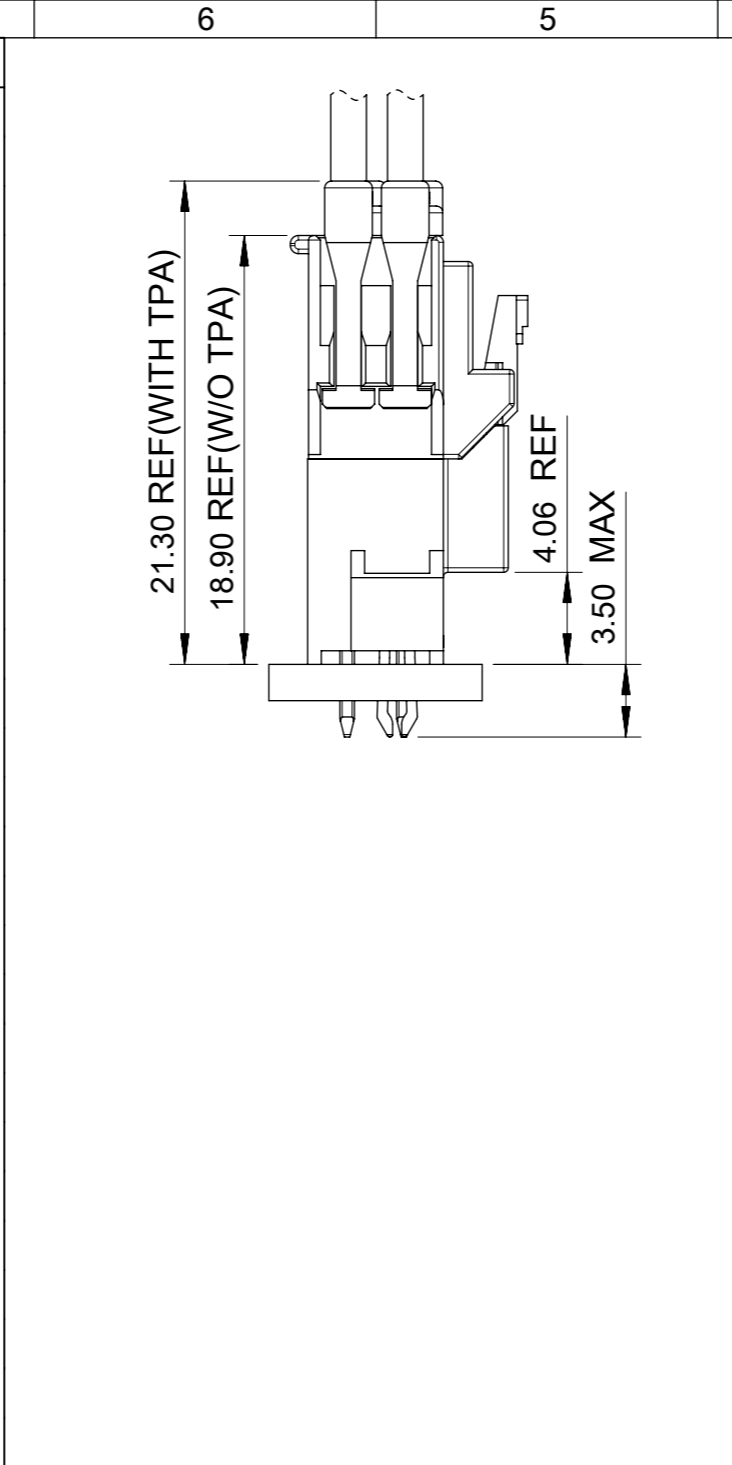
COLOR OPTION

FUNCTIONAL SYMBOLS	THIS DRAWING CONTAINS INFORMATION THAT IS PROPRIETARY TO MOLEX ELECTRONIC TECHNOLOGIES, LLC AND SHOULD NOT BE USED WITHOUT WRITTEN PERMISSION		CURRENT REV DESC:		<b>molex</b>			
	▽A = 0	mm						SCALE 5:1
▽E = 0	GENERAL TOLERANCES (UNLESS SPECIFIED)		EC NO: 697101 DRWN: GLLI CHK'D: XQZHANG APPR: XQZHANG INITIAL REVISION: DRWN: GLLI APPR: YXZHENG		HEADER OF NANO-FIT, D/R, CLIP, VERTICAL POWER CONNECTOR			
▽E = 0	ANGULAR TOL ± 3.0°							
DIVISIONAL SYMBOLS	4 PLACES	±			2022/02/24	PRODUCT CUSTOMER DRAWING		
	3 PLACES	± 0.1			2022/02/25			
	2 PLACES	± 0.2			2022/02/25	DOCUMENT NUMBER		
1 PLACE	± 0.3	2019/09/24	1053121000-SD			DOC TYPE	DOC PART	REVISION
0 PLACES	±	2020/03/16	GENERAL MARKET			PSD	000	B1
DRAFT WHERE APPLICABLE MUST REMAIN WITHIN DIMENSIONS		THIRD ANGLE PROJECTION	DRAWING	SERIES	MATERIAL NUMBER	CUSTOMER	SHEET NUMBER	
			A3-SIZE	105312		GENERAL MARKET	2 OF 5	

DOCUMENT STATUS	P1	RELEASE DATE	2022/02/25	03:08:44
-----------------	----	--------------	------------	----------

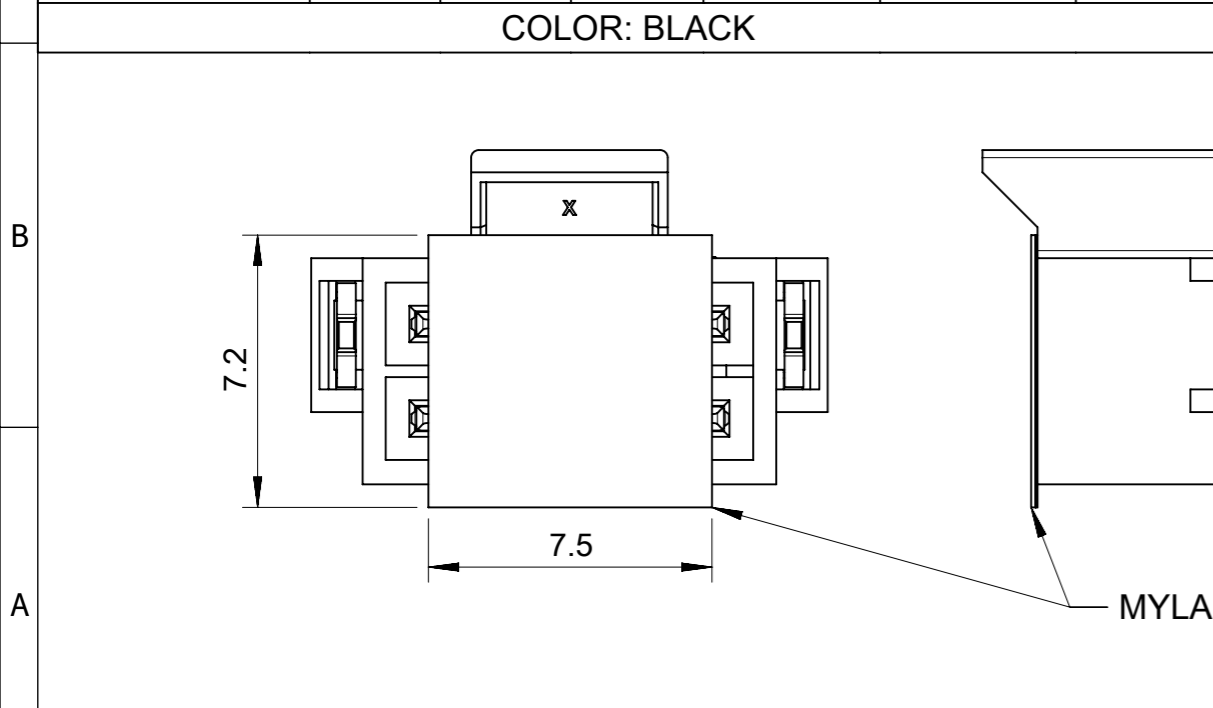
10		9		8		7		6		5		4		3		2		1	
PART NUMBER	DIM 'A'	DIM 'B'	DIM 'C'	CKT SIZE	PLATING	MYLAR													
105312-3504	8.66	5.94	6.84	4	TIN														
105312-3506	11.16	8.44	9.34	6															
105312-3508	13.66	10.94	11.84	8															
105312-3510	16.16	13.44	14.34	10															
105312-3512	18.66	15.94	16.84	12															
105312-3514	21.16	18.44	19.34	14															
105312-3516	23.66	20.94	21.84	16	GOLD 0.38														
105312-3704	8.66	5.94	6.84	4															
105312-3706	11.16	8.44	9.34	6															
105312-3708	13.66	10.94	11.84	8															
105312-3710	16.16	13.44	14.34	10															
105312-3712	18.66	15.94	16.84	12															
105312-3714	21.16	18.44	19.34	14	GOLD 0.76	YES													
105312-3716	23.66	20.94	21.84	16															
105312-3604	8.66	5.94	6.84	4															
105312-3606	11.16	8.44	9.34	6															
105312-3608	13.66	10.94	11.84	8															
105312-3610	16.16	13.44	14.34	10															
105312-3612	18.66	15.94	16.84	12	GOLD 0.76 + LUBE														
105312-3614	21.16	18.44	19.34	14															
105312-3616	23.66	20.94	21.84	16															
105312-3804	8.66	5.94	6.84	4															
105312-3806	11.16	8.44	9.34	6															
105312-3808	13.66	10.94	11.84	8															
105312-3810	16.16	13.44	14.34	10															
105312-3812	18.66	15.94	16.84	12															
105312-3814	21.16	18.44	19.34	14															
105312-3816	23.66	20.94	21.84	16															

COLOR: BLACK



4		3		2		1														
PART NUMBER	DIM 'A'	DIM 'B'	DIM 'C'	CKT SIZE	PLATING	MYLAR														
105312-4504	8.66	5.94	6.84	4	TIN															
105312-4506	11.16	8.44	9.34	6																
105312-4508	13.66	10.94	11.84	8																
105312-4510	16.16	13.44	14.34	10																
105312-4512	18.66	15.94	16.84	12																
105312-4514	21.16	18.44	19.34	14																
105312-4516	23.66	20.94	21.84	16	GOLD 0.38															
105312-4704	8.66	5.94	6.84	4																
105312-4706	11.16	8.44	9.34	6																
105312-4708	13.66	10.94	11.84	8																
105312-4710	16.16	13.44	14.34	10																
105312-4712	18.66	15.94	16.84	12																
105312-4714	21.16	18.44	19.34	14	GOLD 0.76	YES														
105312-4716	23.66	20.94	21.84	16																
105312-4604	8.66	5.94	6.84	4																
105312-4606	11.16	8.44	9.34	6																
105312-4608	13.66	10.94	11.84	8																
105312-4610	16.16	13.44	14.34	10																
105312-4612	18.66	15.94	16.84	12	GOLD 0.76 + LUBE															
105312-4614	21.16	18.44	19.34	14																
105312-4616	23.66	20.94	21.84	16																
105312-4804	8.66	5.94	6.84	4																
105312-4806	11.16	8.44	9.34	6																
105312-4808	13.66	10.94	11.84	8																
105312-4810	16.16	13.44	14.34	10																
105312-4812	18.66	15.94	16.84	12																
105312-4814	21.16	18.44	19.34	14																
105312-4816	23.66	20.94	21.84	16																

COLOR: NATURAL



FUNCTIONAL SYMBOLS FA = 0 FE = 0 FE = 0	THIS DRAWING CONTAINS INFORMATION THAT IS PROPRIETARY TO MOLEX ELECTRONIC TECHNOLOGIES, LLC AND SHOULD NOT BE USED WITHOUT WRITTEN PERMISSION		CURRENT REV DESC:		 HEADER OF NANO-FIT, D/R, CLIP, VERTICAL POWER CONNECTOR			
	mm	5:1	EC NO: 697101					
	GENERAL TOLERANCES (UNLESS SPECIFIED)		DRWN: GLLI		2022/02/24		PRODUCT CUSTOMER DRAWING DOCUMENT NUMBER: 1053121000-SD DOC TYPE: PSD DOC PART: 000 REVISION: B1	
	ANGULAR TOL ± 3.0°		CHK'D: XQZHANG		2022/02/25			
DIVISIONAL SYMBOLS	4 PLACES ±	APPR: XQZHANG		2022/02/25		MATERIAL NUMBER: 105312 CUSTOMER: GENERAL MARKET SHEET NUMBER: 3 OF 5		
	3 PLACES ± 0.1	INITIAL REVISION:		2019/09/24				
	2 PLACES ± 0.2	DRWN: GLLI		2020/03/16				
	1 PLACE ± 0.3	APPR: YXZHENG						
0 PLACES ±	DRAFT WHERE APPLICABLE MUST REMAIN WITHIN DIMENSIONS		THIRD ANGLE PROJECTION	DRAWING: A3-SIZE	SERIES: 105312			

		4 CKT	6 CKT	8 CKT	10 CKT
F	BLACK				
E	NATURAL				
		12 CKT	14 CKT	16 CKT	
D	BLACK				
C	NATURAL				

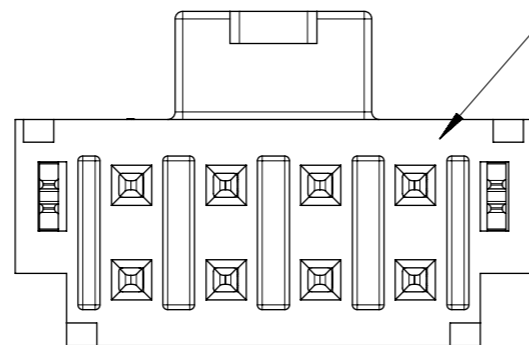
FUNCTIONAL SYMBOLS	THIS DRAWING CONTAINS INFORMATION THAT IS PROPRIETARY TO MOLEX ELECTRONIC TECHNOLOGIES, LLC AND SHOULD NOT BE USED WITHOUT WRITTEN PERMISSION		CURRENT REV DESC:		<b>molex</b>		
	SCALE	3:1					
GENERAL TOLERANCES (UNLESS SPECIFIED)	mm		EC NO: 697101		2022/02/24		
ANGULAR TOL	± 3.0°		DRWN: GLLI		2022/02/25		
4 PLACES	±		CHK'D: XQZHANG		2022/02/25		
3 PLACES	± 0.1		APPR: XQZHANG		2022/02/25		
2 PLACES	± 0.2		INITIAL REVISION:		DOCUMENT NUMBER		
1 PLACE	± 0.3		DRWN: GLLI		2019/09/24		DOC TYPE
0 PLACES	±		APPR: YXZHENG		2020/03/16		DOC PART
DRAFT WHERE APPLICABLE MUST REMAIN WITHIN DIMENSIONS	THIRD ANGLE PROJECTION	DRAWING	SERIES	MATERIAL NUMBER	CUSTOMER	REVISION	
		A3-SIZE	105312	1053121000-SD	GENERAL MARKET	000 B1	
							SHEET NUMBER
							4 OF 5

NOTES FOR ALL PARTS

1> MATERIAL:  
 HOUSING: LCP, UL 94V-0.  
 TERMINAL: BRASS.  
 SOLDER CLIP: BRASS.

2> PLATING FINISHED:  
 TERMINAL:  
 CONTACT AREA: a. REFLOW MATTE TIN 1.5MICRONS MIN;  
                   b. GOLD 0.38 MICRONS MIN;  
                   c. GOLD 0.76 MICRONS MIN.  
 SOLDER AREA: MATTE TIN 1.5 MICRONS MIN, UNDER PLATING NICKEL 1.25  
                   MICRONS MIN.  
 SOLDER CLIP: MATTE TIN 2.5 MICRONS MIN, UNDER PLATING NICKEL 1.25  
                   MICRONS MIN.

3> PRODUCT SPECIFICATION: PS-105300-100.  
 4> PACKAGE: TAPE REEL, 1053121000-PK.  
 5> PRODUCT MATE WITH SERIES OF 105308(RECEPTACLE), 105300(CRIMP TERMINAL).  
 6> PARTS CONFORM TO CLASS 'B'REQUIREMENTS OF COSMETIC SPECIFICATION  
     PS-45499-002.  
 7> DISCOLORATION IN THE BANDOLIER PIN CARRIER AREA OF THE PIN IS INHERENT TO  
 THE PLATING PROCESS AND IS DUE TO THE MASKING DEFECT OF THE CARRIER, THIS  
 DISCOLORATION IS IN A NON-FUNCTION AREA OF THE PIN AND WILL NOT AFFECT  
 THE PERFORMANCE OF THE HEADER ASSEMBLY.



IF ANY NUMBER MARK APPEARS ON THIS SURFACE,  
 PLEASE DISREGARD IT, IT IS NO ANY FUCTION AND  
 NO ANY RELATION TO PIN NUMBER, IT IS JUST FOR  
 MOLDING IDENDIFICATION.

FUNCTIONAL SYMBOLS	THIS DRAWING CONTAINS INFORMATION THAT IS PROPRIETARY TO MOLEX ELECTRONIC TECHNOLOGIES, LLC AND SHOULD NOT BE USED WITHOUT WRITTEN PERMISSION		CURRENT REV DESC:		<b>molex</b>					
	△/A = 0	mm							SCALE 1:1	
DIVISIONAL SYMBOLS	GENERAL TOLERANCES (UNLESS SPECIFIED)		EC NO: 697101 DRWN: GLLI 2022/02/24 CHK'D: XQZHANG 2022/02/25 APPR: XQZHANG 2022/02/25		HEADER OF NANO-FIT, D/R, CLIP, VERTICAL POWER CONNECTOR					
	△/E = 0	ANGULAR TOL ± 3.0 °			PRODUCT CUSTOMER DRAWING					
	△/F = 0	4 PLACES ±			INITIAL REVISION:		DOCUMENT NUMBER	DOC TYPE	DOC PART	REVISION
		3 PLACES ± 0.1			DRWN: GLLI 2019/09/24		1053121000-SD	PSD	000	B1
		2 PLACES ± 0.2			APPR: YXZHENG 2020/03/16					
	1 PLACE ± 0.3	DRAFT WHERE APPLICABLE MUST REMAIN WITHIN DIMENSIONS		THIRD ANGLE PROJECTION	DRAWING	SERIES	MATERIAL NUMBER	CUSTOMER	SHEET NUMBER	
	0 PLACES ±				A3-SIZE	105312		GENERAL MARKET	5 OF 5	