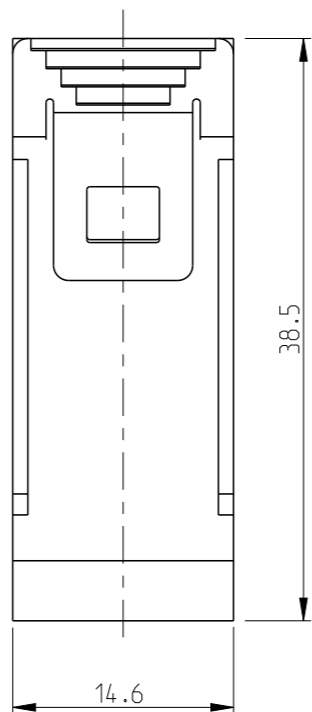
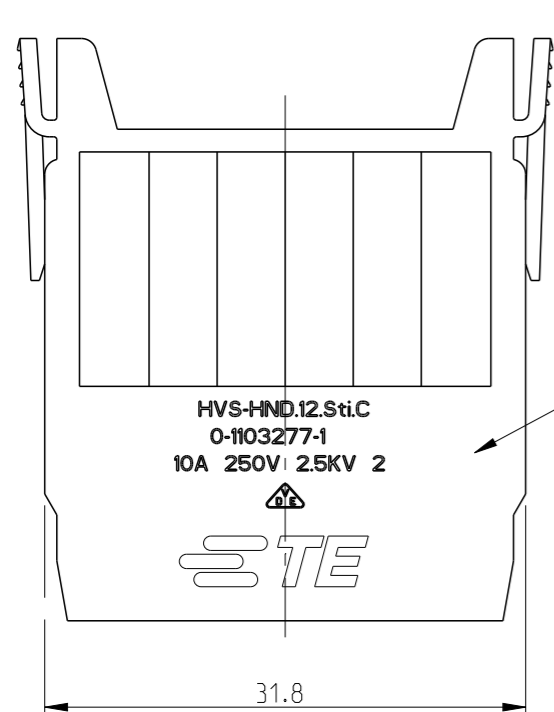
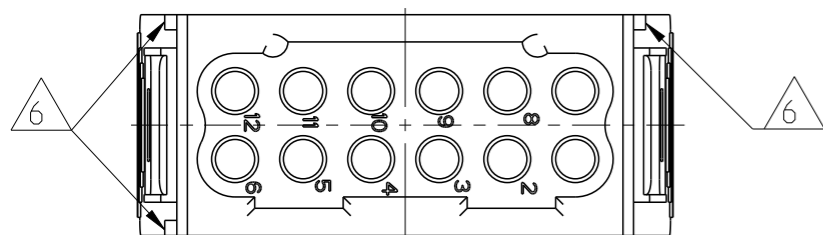
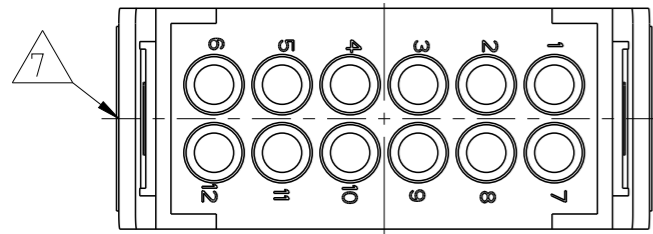


PN 0-1 As Shown

Contact arrangement
view from connecting side



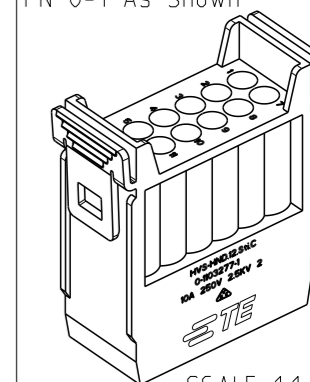
Contact arrangement
view from termination side




NOTES

- 1 SUITABLE CRIMP CONTACTS: SERIES HN.D
CUSTOMER DRAWING: 1105051
OUTER DIMENSIONS OF INSULATION: MAX. Ø4mm
- 2 SUITABLE MODULE FIXING FRAME: SERIES HVS SIZE 3 TO 8
CUSTOMER DRAWING: 1103250
- 3 SUITABLE INSERTION TOOL:
CUSTOMER DRAWING: 1102855
- 4 SUITABLE EXTRACTION TOOL:
CUSTOMER DRAWING: 1102855
- 5 STANDARDS:
DIN EN 61984; DIN EN 60664-1
- 6 POLARIZATION RIPS
- 7 MARKING OF POLARIZATION ACCORDING TO MARKING OF
MODULE FRAME
- 8 PACKAGING:
10 PIECES IN A CARTON

PN 0-1 As Shown



QTY	DESCRIPTION	MATERIAL	COLOR	ITEM NO
1	MALE INSERT	PBT-GF10	LIGHT GREY	1
PN 0-1 / HVS-HND.12.Sti.C				

THIS DRAWING IS A CONTROLLED DOCUMENT.		DWN 20.02.2006 SCHNEIDER	 TE Connectivity	
DIMENSIONS: mm		CHK 20.02.2006 A.GAST		
TOLERANCES UNLESS OTHERWISE SPECIFIED: ISO 8075 DIN ISO 2768 mH-E DIN 16901-120		APVD 20.02.2006 T.SCHNURPFIL	NAME MALE INSERT HVS-HND.12.STI.C	
0 PLC ±		PRODUCT SPEC 108-74083	RESTRICTED TO	
1 PLC ±		APPLICATION SPEC 114-74085	SIZE A3	CAGE CODE 00779
2 PLC ±		WEIGHT	DRAWING NO C-1103277	
3 PLC ±		MATERIAL	SCALE 2:1	
4 PLC ±			SHEET 1 OF 1	
ANGLES ±		FINISH		REV C
10		11		
CUSTOMER DRAWING				