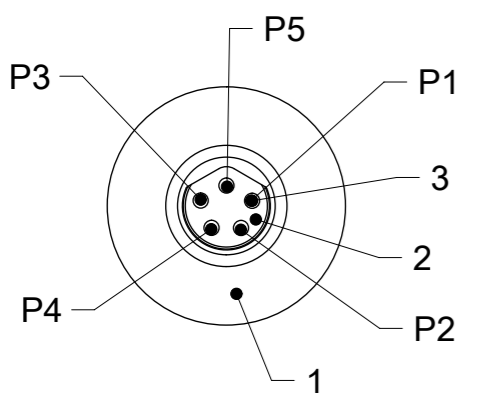


2x FIXING HOLES
SUITABLE FOR M4
SCREWS

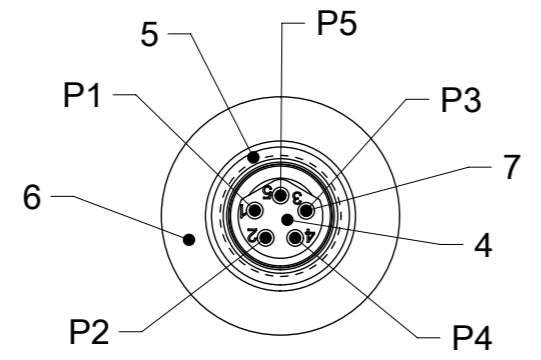
THIS DRAWING CONTAINS INFORMATION THAT IS PROPRIETARY TO MOLEX INCORPORATED AND SHOULD NOT BE USED WITHOUT WRITTEN PERMISSION											
EC NO: 101382 DRWN: AAHLERS CHK'D: RSILLER APPR: RSILLER	2015/10/07 2015/10/16 2015/10/16	QUALITY SYMBOLS ∇ = 0 ∇ = 0 ∇ = 0 ▼ = 0 ∇ = 0 ☒ = 0 ■ = 0 ∇ = 0	GENERAL TOLERANCES (UNLESS SPECIFIED)		DIMENSION UNITS	SCALE					
			ANGULAR TOL ± °		mm	1:1					
			4 PLACES ±		DRWN BY	DATE	DBO DN FULL M8 NO POWER 30 MM M8 5P MA AC M8 5P FE AC M8 3P 8PT FE				
			3 PLACES ±		ULETTENMEIER	2015/03/24					
2 PLACES ±		CHK'D BY	DATE	PRODUCT CUSTOMER DRAWING							
1 PLACE ±		APPR BY	DATE								
0 PLACES ±		RSILLER	2015/05/20	SERIES	MATERIAL NUMBER	CUSTOMER					
DRAFT WHERE APPLICABLE MUST REMAIN WITHIN DIMENSIONS		DRAWING SIZE		THIRD ANGLE PROJECTION		112092		SEE TABLE 1		GENERAL MARKET	
A1	REV	A3				DOCUMENT NUMBER		DOC TYPE	DOC PART	SHEET NUMBER	
						1120925012		PSD	000	1 OF 3	

A
BUS IN:
1x MALE M12 4P A-CODE



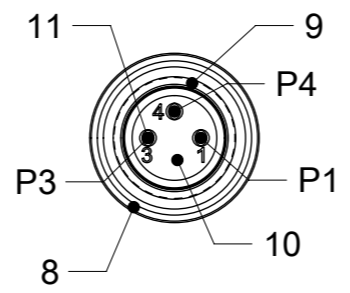
Wiring Information:
P1: SLD Shield
P2: DB B Line
P3: DG Ground
P4: DA A Line

B
BUS OUT:
1x FEMALE M12 5P A-CODE



Wiring Information:
P1: SLD Shield
P2: DB B Line
P3: DG Ground
P4: DA A Line

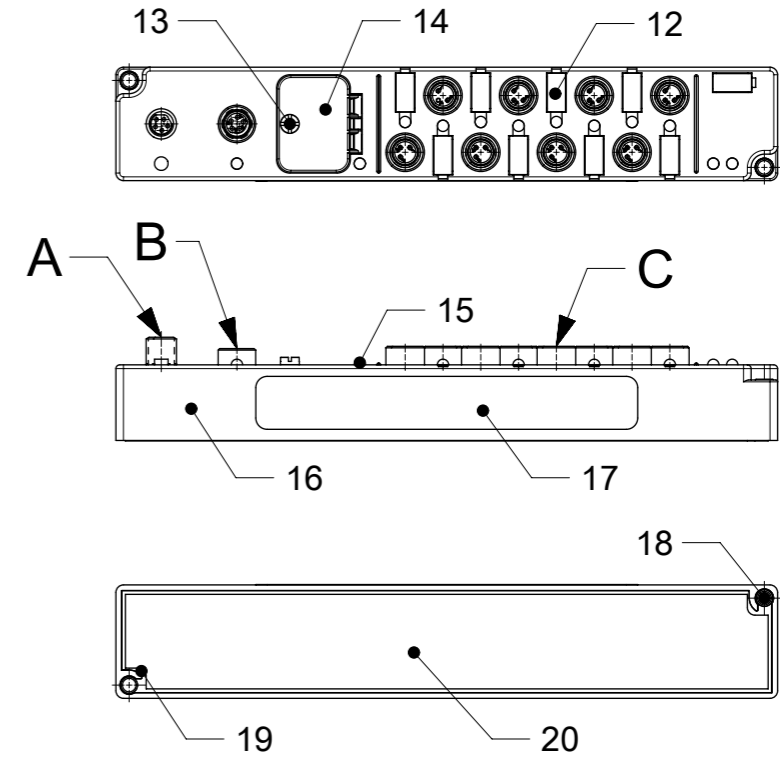
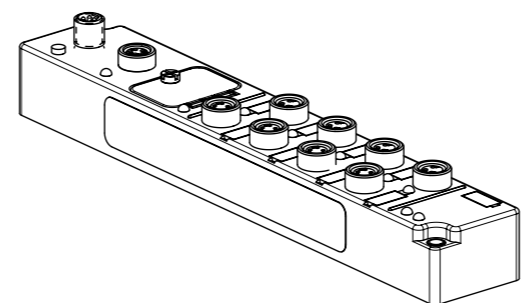
C
INPUT / OUTPUT:
8x FEMALE M8 3P



Wiring Information:
P1 - INPUT POWER SUPPLY
P3 - GND
P4 - INPUT

BILL OF MATERIAL

ITEM	DESCRIPTION	MATERIAL	FINISH
1	SHELL	BRASS	NICKEL PLATET
2	INSERT	PA	TRANSPARENT
3	CONTACT	COPPER ALLOY	GOLD OVER NICKEL
4	INSERT	TPU	BLACK
5	GASKET	FPM	RED
6	SHELL	BRASS	NICKEL PLATET
7	CONTACT	COPPER ALLOY	GOLD OVER NICKEL
8	SHELL	BRASS	NICKEL PLATET
9	GASKET	FKM	RED
10	INSERT	TPU	BLACK
11	CONTACT	COPPER ALLOY	GOLD OVER NICKEL
12	LABEL	PC	WHITE
13	SCREW	V2A	V2A
14	WINDOW	PC	TRANSPARENT
15	LED	PA	TRANSPARENT
16	HOUSING	PBT	BLACK
17	LABEL	PVC	YELLOW
18	SLEEVE	BRASS	NICKEL
19	RESIN	EPOXY	TRANSPARENT
20	LABEL	PVC	WHITE

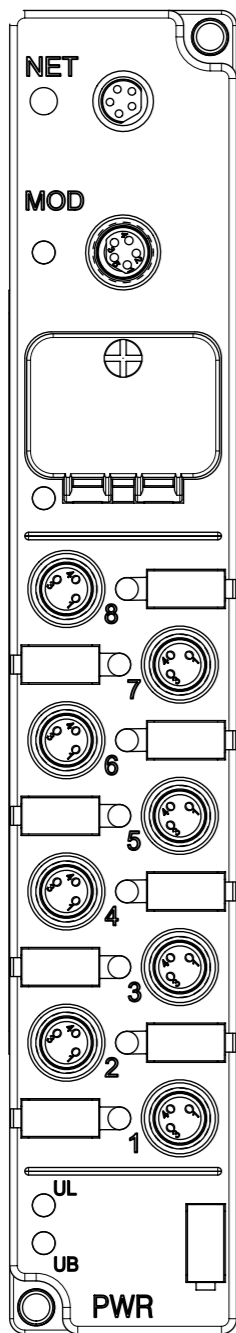


THIS DRAWING CONTAINS INFORMATION THAT IS PROPRIETARY TO MOLEX INCORPORATED AND SHOULD NOT BE USED WITHOUT WRITTEN PERMISSION

EC DESCRIPTION EC NO: 101382 DRWN: AAHLERS CHK'D: RSILLER APPR: RSILLER 2015/10/07 2015/10/16 2015/10/16	QUALITY SYMBOLS ∇ = 0 ∇ = 0 ∇ = 0 ▼ = 0 ∇ = 0 ⊠ = 0 ■ = 0 ∇ = 0	GENERAL TOLERANCES (UNLESS SPECIFIED) ANGULAR TOL ± ° 4 PLACES ± 3 PLACES ± 2 PLACES ± 1 PLACE ± 0 PLACES ± DRAFT WHERE APPLICABLE MUST REMAIN WITHIN DIMENSIONS	DIMENSION UNITS mm SCALE 1:1 DRWN BY ULETTENMEIER DATE 2015/03/24 CHK'D BY DATE APPR BY RSILLER DATE 2015/05/20 DRAWING SIZE A3 THIRD ANGLE PROJECTION	<div style="text-align: center;">molex</div> <p>DBO DN FULL M8 NO POWER 30 MM M8 5P MA AC M8 5P FE AC M8 3P 8PT FE</p> <p>PRODUCT CUSTOMER DRAWING</p> <table border="1"> <tr> <td>SERIES</td> <td>MATERIAL NUMBER</td> <td>CUSTOMER</td> </tr> <tr> <td>112092</td> <td>SEE TABLE 1</td> <td>GENERAL MARKET</td> </tr> <tr> <td>DOCUMENT NUMBER</td> <td>DOC TYPE</td> <td>DOC PART</td> <td>SHEET NUMBER</td> </tr> <tr> <td>1120925012</td> <td>PSD</td> <td>000</td> <td>2 OF 3</td> </tr> </table>	SERIES	MATERIAL NUMBER	CUSTOMER	112092	SEE TABLE 1	GENERAL MARKET	DOCUMENT NUMBER	DOC TYPE	DOC PART	SHEET NUMBER	1120925012	PSD	000	2 OF 3
	SERIES	MATERIAL NUMBER	CUSTOMER															
	112092	SEE TABLE 1	GENERAL MARKET															
	DOCUMENT NUMBER	DOC TYPE	DOC PART	SHEET NUMBER														
1120925012	PSD	000	2 OF 3															

9 8 7 6 5 4 3 2 1

E
D
C
B
A



8 IN

TABLE 1 8 IN					
DEVICE NET FULL M8 NO POWER					
POWER TYPE	INPUT / OUTPUT		ENG.NO.	MOLEX P/N	3D MODEL NO.
M8 4 POLE	PNP	8I	TBDDN-880P-H04	1120925012	1121015012 (PDM)

THIS DRAWING CONTAINS INFORMATION THAT IS PROPRIETARY TO MOLEX INCORPORATED AND SHOULD NOT BE USED WITHOUT WRITTEN PERMISSION

EC DESCRIPTION EC NO: 101382 DRWN: AAHLERS CHKD: RSILLER APPR: RSILLER 2015/10/07 2015/10/16 2015/10/16	QUALITY SYMBOLS	GENERAL TOLERANCES (UNLESS SPECIFIED) ANGULAR TOL ± ° 4 PLACES ± 3 PLACES ± 2 PLACES ± 1 PLACE ± 0 PLACES ± DRAFT WHERE APPLICABLE MUST REMAIN WITHIN DIMENSIONS	DIMENSION UNITS	SCALE	
	▽ = 0 ▽ = 0 ▽ = 0 ▼ = 0 ◻ = 0 ◼ = 0 ▽ = 0		mm	1:1	
	DRWN BY ULETTENMEIER DATE 2015/03/24		DRWN BY ULETTENMEIER DATE 2015/03/24	SERIES 112092 MATERIAL NUMBER SEE TABLE 1 CUSTOMER GENERAL MARKET	
	APPR BY RSILLER DATE 2015/05/20		APPR BY RSILLER DATE 2015/05/20	PRODUCT CUSTOMER DRAWING DOCUMENT NUMBER 1120925012 DOC TYPE PSD DOC PART 000 SHEET NUMBER 3 OF 3	
A1	REV		A3	THIRD ANGLE PROJECTION	

9 8 7 6 5 4 3 2 1