

6

5

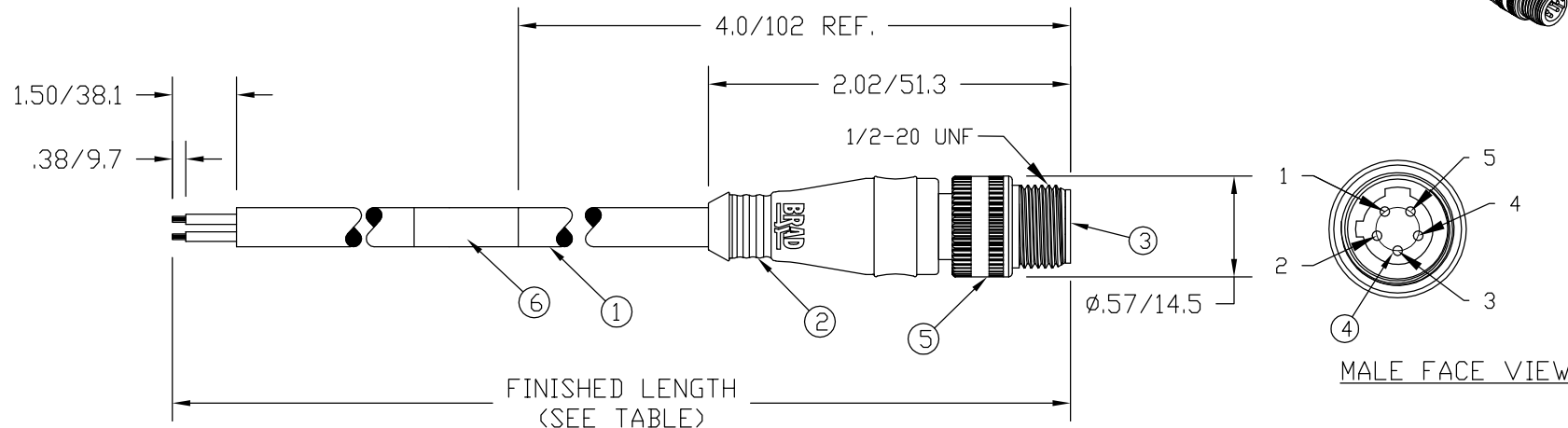
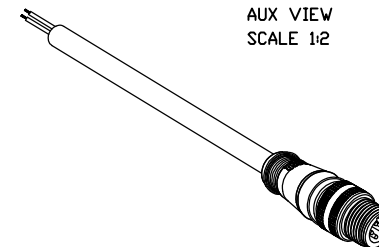
4

3

2

1

MATERIAL NUMBER	ENGINEERING NUMBER	FINISHED LENGTH
120072-0551	705006D02F060	6.00' +3.50' -0 [1.8M +88.9 -0]
120072-0553	705006D02F120	12.00' +6.50' -0 [3.7M +165.1 -0]
120072-0555	705006D02F200	20.00' +6.50' -0 [6.1M +165.1 -0]



1	RED-WHITE
2	RED
3	GREEN-GND
4	RED-YELLOW
5	RED-BLACK

WIRING DIAGRAM

NOTES:

- 1) MATERIALS: SEE TABLE
- 2) FINISHES: SEE TABLE
- 3) CABLE: #22/5 SHIELDED PVC
- 4) ELECTRICAL DATA:
MAX. VOLTAGE: 250 VAC/VDC
MAX. CURRENT 4 AMPS
- 5) ENVIRONMENTAL:
PROTECTION IP67
TEMPERATURE RANGE: -20°C TO 105°C
- 6) WRAP LABEL IS MARKED WITH P/N, DATE CODE,
VOLTAGE & AMPERAGE.
- 7) ASSEMBLY IS RoHS COMPLIANT.

ITEM	QTY.	DESCRIPTION	MATERIAL	FINISH
6	1	LABEL	MYLAR	BLACK/YELLOW
5	1	COUPLER	ZINC DIE CAST	BLACK E-COAT
4	5	PIN CONTACT	COPPER ALLOY	GOLD OVER NICKEL
3	1	INSERT	NYLON	BLACK
2	1	OVERMOLD	PVC	YELLOW
1	1	#22/5 CABLE W/BRAID SHIELD	PVC JACKET	YELLOW

RELEASED DRAWING EC NO: WEL2010-0017 DRWN: LHARTMAN 7/17/09 CHKD: BWOODMAN 09/07/29 APPR: JFMURPHY 2009/08/10	QUALITY SYMBOLS	GENERAL TOLERANCES (UNLESS SPECIFIED)	DIMENSION STYLE		SCALE	DESIGN UNITS	THIRD ANGLE PROJECTION	
	▽=0 ∇=0		mm	INCH	1:1	INCH		
A	REV	DESCRIPTION	4 PLACES	±----	±----	DRAWN BY DATE		
			3 PLACES	±----	±----	LHARTMAN 2009/07/17		
A	REV	DESCRIPTION	2 PLACES	±----	±.01	CHECKED BY DATE		
			1 PLACE	±0.3	±----	BWOODMAN 2009/07/29		
			ANGULAR ±----		APPROVED BY DATE		TITLE	
			DRAFT WHERE APPLICABLE MUST REMAIN WITHIN DIMENSIONS		---			MOLEX INCORPORATED
			SIZE		MATERIAL NO.		DOCUMENT NO.	
			A		SEE TABLE			SD-120072-007
			THIS DRAWING CONTAINS INFORMATION THAT IS PROPRIETARY TO MOLEX INCORPORATED AND SHOULD NOT BE USED WITHOUT WRITTEN PERMISSION					

6

5

4

3

2

1