

| PART NO.   | ENGINEERING NO. | FINISHED LENGTH |
|------------|-----------------|-----------------|
| 1300062144 | 104007A01M020   | 2.0M [6'7"]     |
| 1300062609 | 104007A01M017   | 1.7M [5'7"]     |

**CABLE LENGTH TOLERANCES**

<.3M [1FT]: +19mm-0 [+ .75in-0]

.3 - .9M [1 - 3FT]: +44.5mm-0 [+1.75in-0]

.9 - 1.8M [3 - 6FT]: +55.6mm-0 [+2.19in-0]

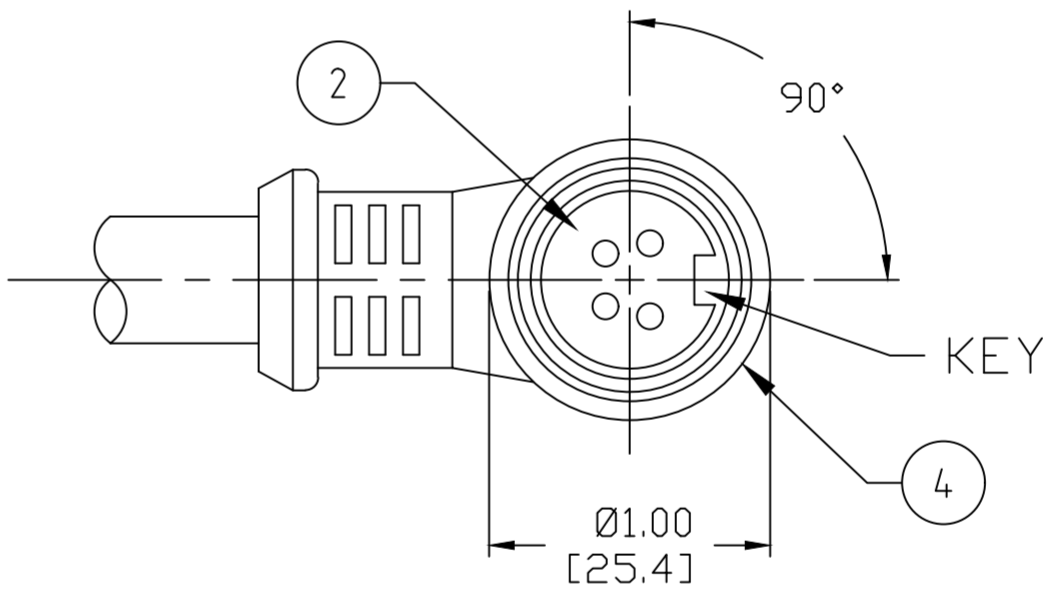
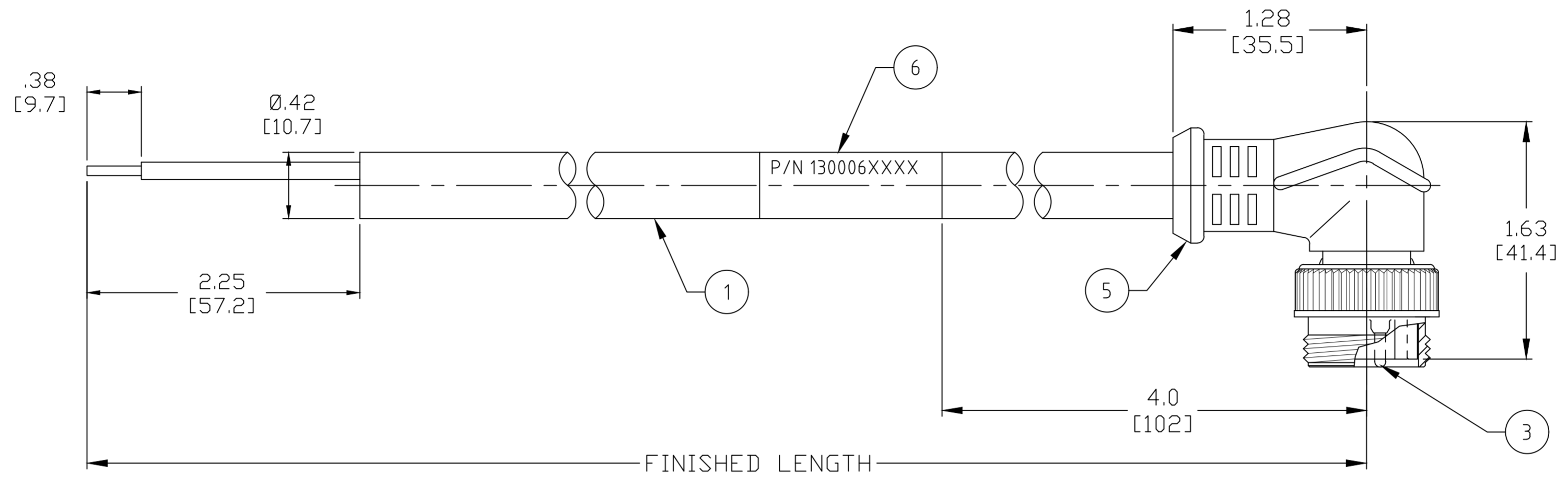
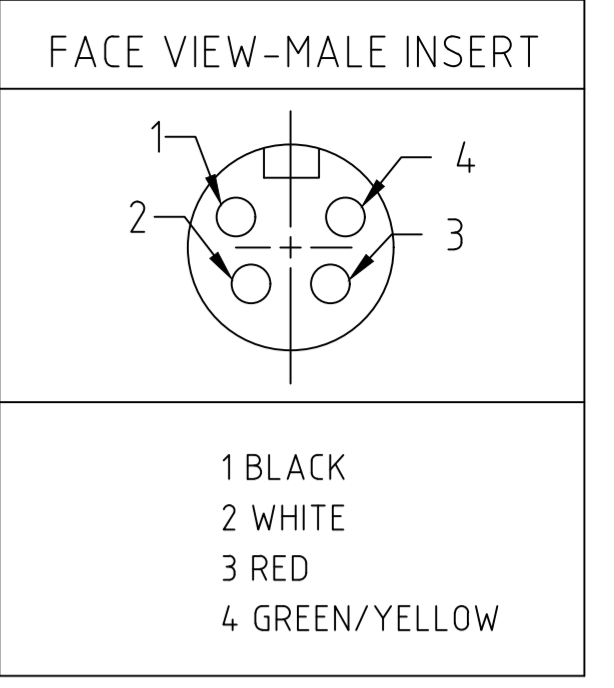
1.8 - 3.7M [6 - 12FT]: +88.9mm-0 [+3.50in-0]

3.7 - 7.3M [12 - 24FT]: +165.1mm-0 [+6.50in-0]

7.3-14.6M [24 - 48FT]: +317.5mm-0 [+12.50in-0]

14.6 - 30.5M [48-100FT]: +622.3mm-0 [+24.50in-0]

OVER 30M [100FT] +2% OF FINISHED LENGTH



- NOTES:**
- MATERIAL: AS NOTED
  - FINISH: AS NOTED
  - ELECTRICAL:  
VOLTAGE: 483V PER IEC 60664  
600V PER UL 2238  
CURRENT: 10A
  - TEMP RATING: -20°C TO +105°C
  - PROTECTION: IP67 (WHEN MATED)
  - COUPLING THREAD: 7/8-16 UN
  - UL RECOGNIZED FILE: E152210  
CSA CERTIFIED FILE: LR6837
  - ALL DIMS ARE FOR REFERENCE UNLESS TOLERANCED OR NOTED OTHERWISE

**PART NUMBER LEGEND**

104007A01M020

FINISHED LENGTH:  
M005= 0.5 METER  
M010= 1.0 METER  
M100= 10.0 METERS

| ITEM | DESCRIPTION        | MATERIAL      | FINISH       |
|------|--------------------|---------------|--------------|
| 6    | WRAP LABEL         | VINYL         | BLACK/YELLOW |
| 5    | OVERMOLD           | TPE           | YELLOW       |
| 4    | COUPLING, MALE     | ZINC-DIE-CAST | BLACK E-COAT |
| 3    | CONTACT PIN        | Cu ALLOY      | GOLD PLATED  |
| 2    | INSERT, MALE       | TPE           | YELLOW       |
| 1    | CABLE, 16 AWG, PVC | PVC JACKET    | YELLOW       |

|                        |                                       |   |       |   |  |
|------------------------|---------------------------------------|---|-------|---|--|
| FUNCTIONAL SYMBOLS     |                                       | THIS DRAWING CONTAINS INFORMATION THAT IS PROPRIETARY TO MOLEX ELECTRONIC TECHNOLOGIES, LLC AND SHOULD NOT BE USED WITHOUT WRITTEN PERMISSION |       | CURRENT REV DESC: OBSOLETE PART NUMBER AS PER PCN#509457. |  |
| FA=0                   | DIMENSION UNITS                       | INCH/MM   | SCALE | 1:1   |  |
|                        | GENERAL TOLERANCES (UNLESS SPECIFIED) |   |       |   |  |
| EC=0                   | mm                                    |   | INCH  |   |  |
|                        | 4 PLACES                              | ±----   | ±---- |   |  |
| EP=0                   | 3 PLACES                              | ±----   | ±---- |   |  |
|                        | 2 PLACES                              | ±----   | ±---- |   |  |
| DIVISIONAL SYMBOLS     | 1 PLACE                               | ±----   | ±---- |   |  |
|                        | 0 PLACES                              | ±----   | ±---- |   |  |
| ANGULAR TOL ± ---- °   |                                       | DRAFT WHERE APPLICABLE MUST REMAIN WITHIN DIMENSIONS  |       |   |  |
| THIRD ANGLE PROJECTION |                                       | DRAWING   |       | SERIES  |  |
| C-SIZE                 |                                       | 130006  |       | 2020/11/30  |  |
| MATERIAL NUMBER        |                                       | CUSTOMER  |       | SHEET NUMBER  |  |
| SEE P/N LEGEND         |                                       | GENERAL MARKET  |       | 1 OF 1  |  |

**molex**

MINI-CHANGE SINGLE ENDED CABLE ASSEMBLY  
4 POLE, MALE 90 DEG, SINGLE KEY, 16AWG PVC CABLE

PRODUCT CUSTOMER DRAWING

DOCUMENT NUMBER: 1300062609  
DOC TYPE/DOC PART/REVISION: PSD 000 B