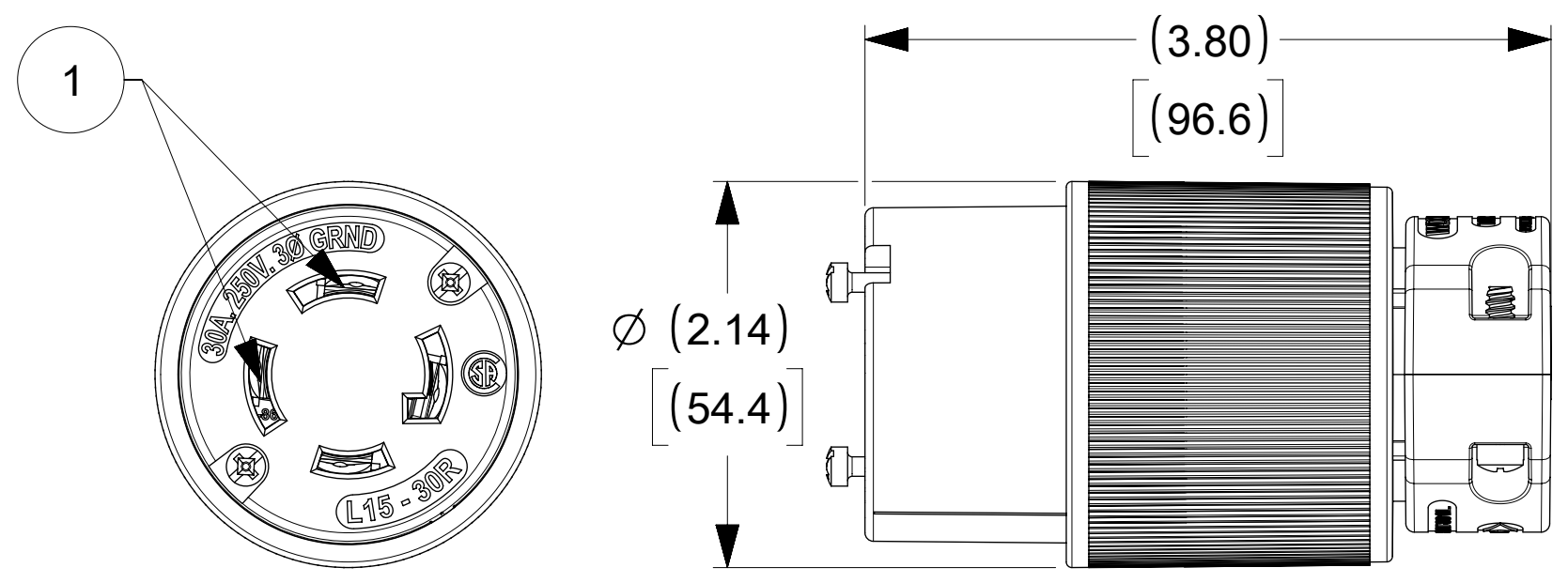
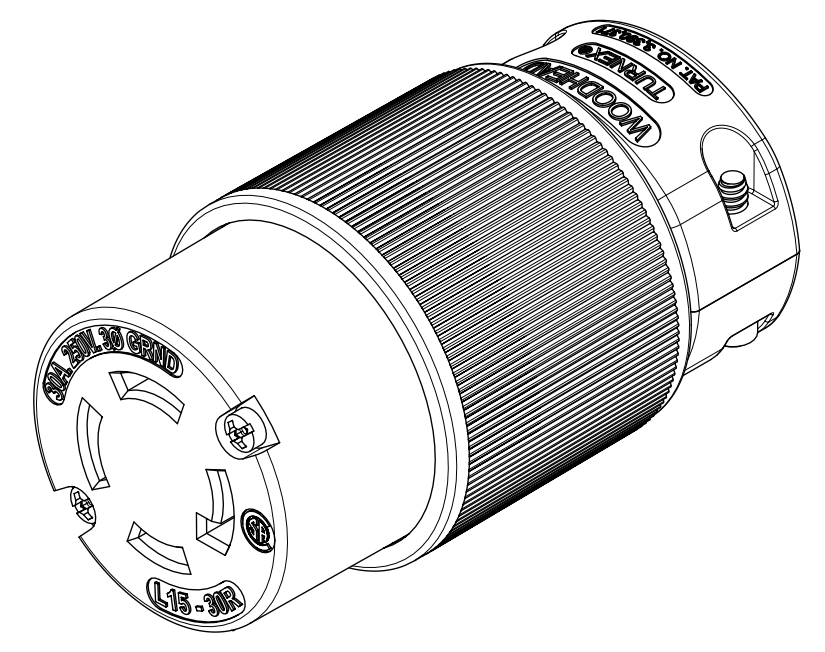
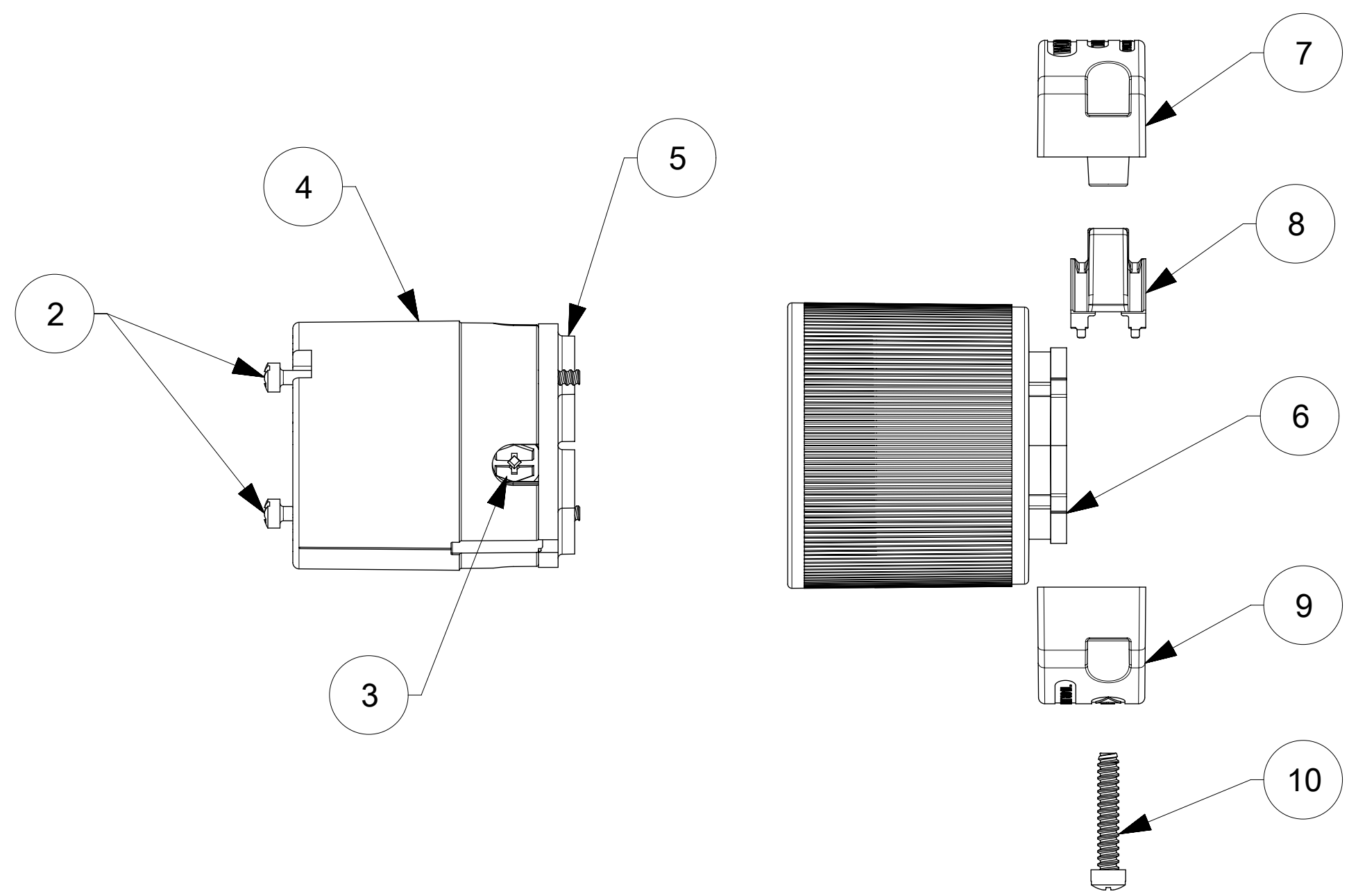
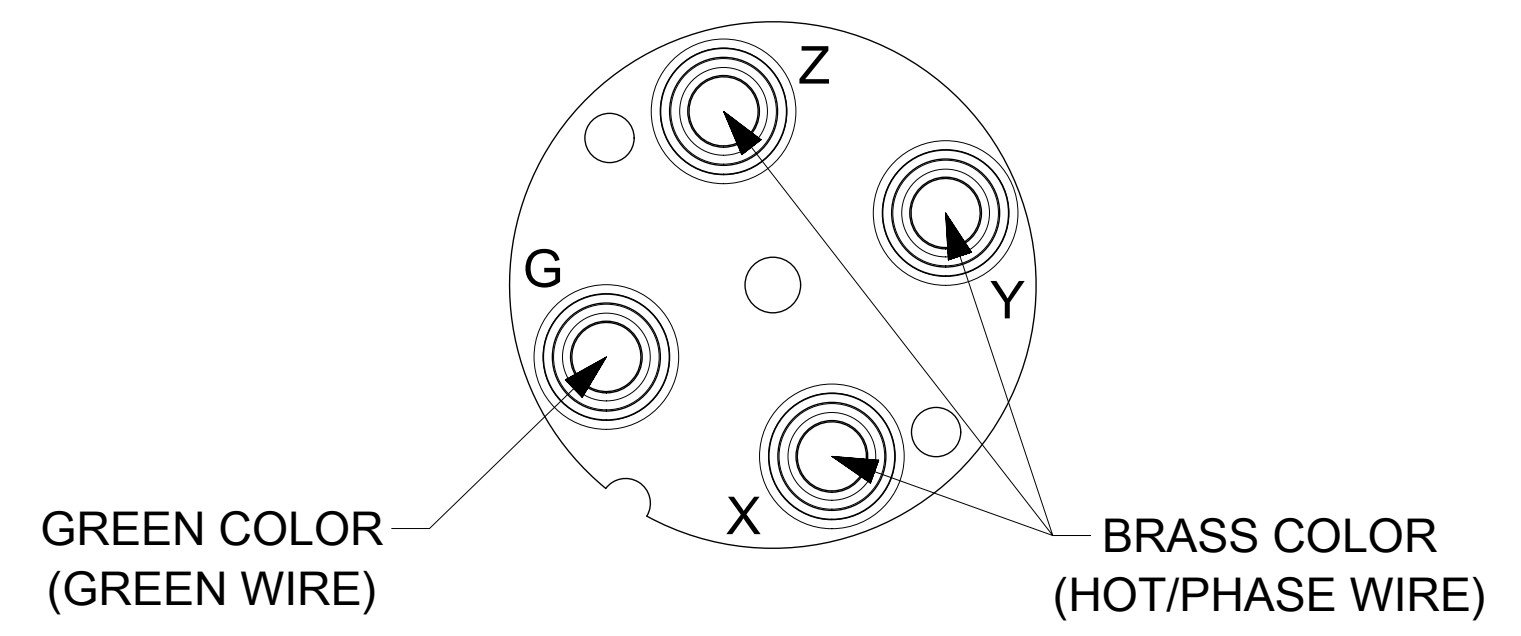


ORDER NO.	WOODHEAD NO.	COLOR
130145-0078	29T75	BLACK
130145-0079	29T75YL	YELLOW



FACE VIEW

WIRING TERMINATION



ITEM NO.	DESCRIPTIONS	MATERIAL	QTY.
1	BLADES	BRASS, NICKEL PLATED	4
2	RETAINING SCREWS	STAINLESS STEEL	2
3	TERMINAL SCREWS/CLAMP ASSEMBLY	BRASS, ZINC PLATED	4
4	INSERT	NYLON	1
5	TERMINAL COVER	POLYCARBONATE	1
6	HOUSING	NYLON	1
7	CLAMP CORD MALE	NYLON	1
8	CLAMP CORD INSERT	NYLON	1
9	CLAMP CORD FEMALE	NYLON	1
10	RETAINING SCREWS	STAINLESS STEEL	2

FUNCTIONAL SYMBOLS $F_A = 0$ $F_C = 0$ $F_P = 0$ DIVISIONAL SYMBOLS	THIS DRAWING CONTAINS INFORMATION THAT IS PROPRIETARY TO MOLEX ELECTRONIC TECHNOLOGIES, LLC AND SHOULD NOT BE USED WITHOUT WRITTEN PERMISSION		CURRENT REV DESC: NEW RELEASE		
	DIMENSION UNITS	SCALE	EC NO: 628514		
	INCH	NTS	DRWN: VBASUTHKARP	2019/05/27	molex SAFEWAY CONNECTOR TURNEX 3P4W L15-30
	GENERAL TOLERANCES (UNLESS SPECIFIED)		CHK'D: DNGUYEN62	2021/09/20	
4 PLACES ±		MM	INCH	APPR: HKNEELAND	2021/10/06
3 PLACES ±		INITIAL REVISION:			DOCUMENT NUMBER
2 PLACES ±		DRWN: VBASUTHKARP			1301450078
1 PLACE ±		APPR: HKNEELAND			DOC TYPE
0 PLACES ±		2019/05/27			PSD
ANGULAR TOL ± °		2021/10/06			000
DRAFT WHERE APPLICABLE MUST REMAIN WITHIN DIMENSIONS		THIRD ANGLE PROJECTION	DRAWING	SERIES	REVISION
			C-SIZE	130145	A
		MATERIAL NUMBER	CUSTOMER	SHEET NUMBER	
		SEE TABLE	GENERAL MARKET	1 OF 1	