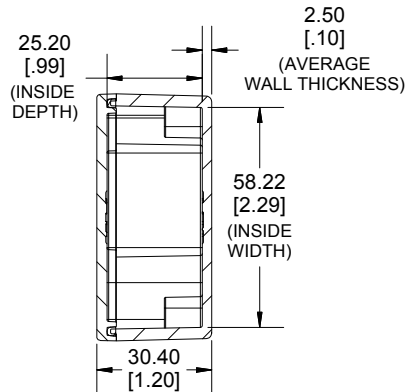
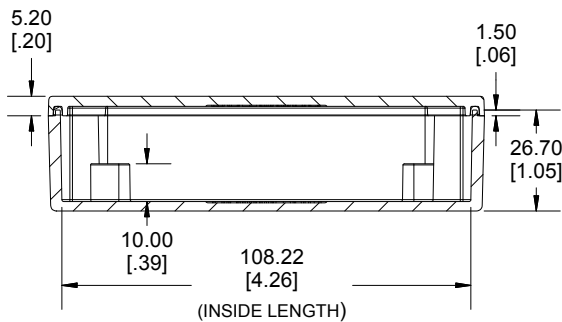
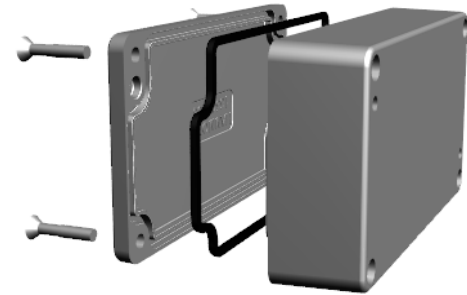


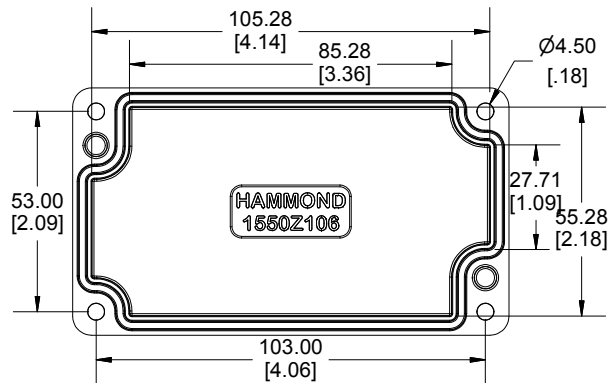
**TOP VIEW**



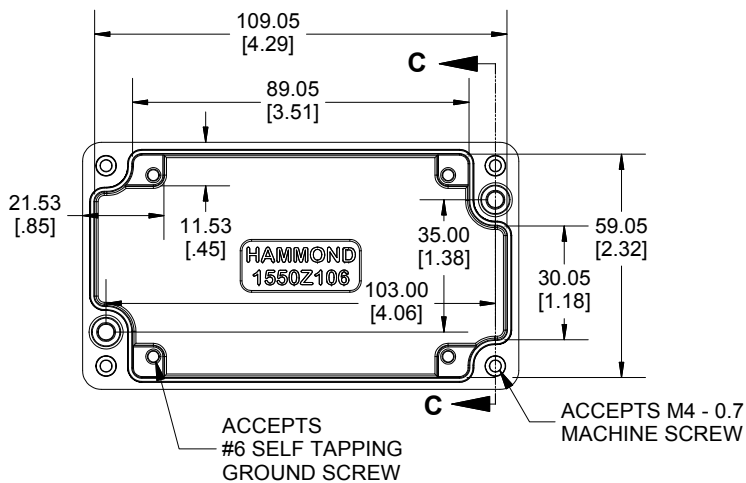
**SECTION A-A  
END VIEW**



**SECTION B-B  
SIDE VIEW**

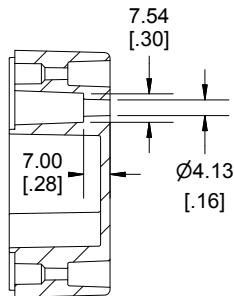


**INSIDE LID**



**INSIDE BOX**

**SECTION C-C  
MOUNTING HOLE**



Dimensions:  
mm  
[inches]

UL US LISTED  
FILE #E71073  
NEMA 4, 4X

Enclosures can be Factory Modified ( Milling, Drilling, Printing etc.)  
Contact Factory [mjm@hammondmfg.com](mailto:mjm@hammondmfg.com) for quotes  
Solid models of this enclosure available in STEP or IGES.  
(Part number and text placement/orientation on our products are subject to change,  
we do not recommend using them as a locating reference for modification purposes)

NOTE	
Purchased assembly includes box, lid, silicone gasket, and 4 cover screws. Box and lid are made from Diecast Aluminum Alloy.	
Screws should not be torqued past 5-7.5 lbf.in ( 50 -75 cN.m)	
PART NUMBERS	
1550Z106 Enclosure	
Basic Enclosure	1550Z106
Black Enclosure	1550Z106BK
ACCESSORIES	
Pre-Formed Silicone Gasket	1550Z106GASKET

**1550Z106**  
www.hammondmfg.com