

D-SUB gender changer - VS-15-GC-ST/ST - 1652677

Please be informed that the data shown in this PDF Document is generated from our Online Catalog. Please find the complete data in the user's documentation. Our General Terms of Use for Downloads are valid (<http://phoenixcontact.com/download>)

D-SUB contact insert, shell size 2, with 15 signal contacts, type of contact pin, gender changer, fixing with 4-40 UNC thread



RoHS

Key Commercial Data

Packing unit	10 pc
GTIN	
GTIN	4017918952815

Technical data

Mechanical characteristics

Number of positions	15
Insertion/withdrawal cycles	≥ 200
Connection method	Gender changer
Cable outlet	straight
Mounting type	Threads
Type	D-SUB 15
Size of housing	2

Ambient conditions

Ambient temperature (operation)	-55 °C ... 125 °C
---------------------------------	-------------------

Material data

Flammability rating according to UL 94	V0
Housing material	Steel, yellow chromated
Contact carrier material	Polyester GF
Contact material	Copper alloy
Contact surface material	Hard gold-plated over nickel
Height	39.3 mm

D-SUB gender changer - VS-15-GC-ST/ST - 1652677

Technical data

Electrical characteristics

Number of positions	15
Rated current	5 A
Overvoltage category	III
Degree of pollution	2
Rated voltage (III/3)	125 V

Standards and Regulations

Flammability rating according to UL 94	V0
--	----

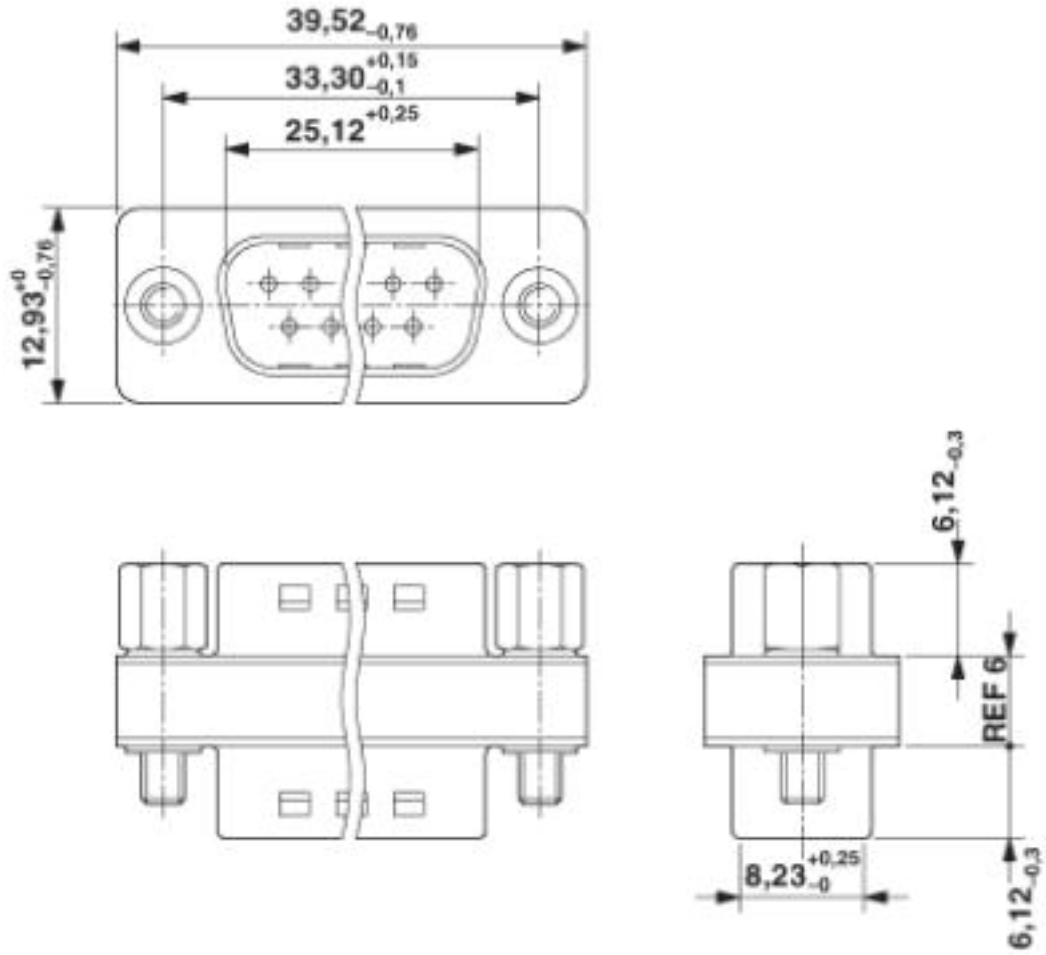
Environmental Product Compliance

China RoHS	Environmentally Friendly Use Period = 50
	For details about hazardous substances go to tab "Downloads", Category "Manufacturer's declaration"

Drawings

D-SUB gender changer - VS-15-GC-ST/ST - 1652677

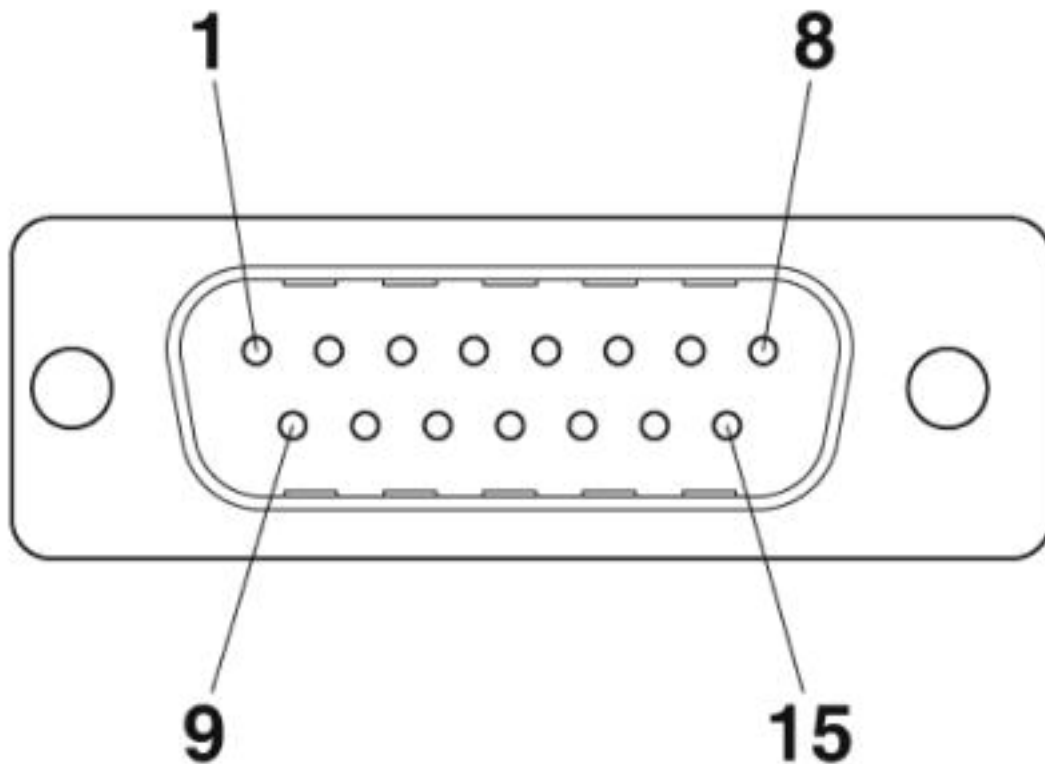
Dimensional drawing



Gender changer

D-SUB gender changer - VS-15-GC-ST/ST - 1652677

Schematic diagram



Approvals

Approvals

Approvals

EAC

Ex Approvals

Approval details

EAC		B.01742
-----	--	---------

Phoenix Contact 2019 © - all rights reserved
<http://www.phoenixcontact.com>

PHOENIX CONTACT GmbH & Co. KG
Flachmarktstr. 8
32825 Blomberg
Germany
Tel. +49 5235 300
Fax +49 5235 3 41200
<http://www.phoenixcontact.com>