

注記 NOTE

- ① 材料及び仕上げ (めっき仕様) : TABLE 1 参照  
MATERIAL AND FINISHED (PLATING SPECIFICATION) : SEE TABLE 1
- ② 嵌合相手 : 214092 シリーズ  
MATE WITH: 214092 SERIES
- ③ 偶数極 に適用  
APPLY FOR EVEN CIRCUIT.
- 4. ターミナルとネイルの平坦度は0.1mm以下  
TERMINAL AND NAIL COPLANARITY : 0.1mm MAXIMUM
- 5. 製品仕様書 : 2140920000-PS 000  
PRODUCT SPECIFICATION : 2140920000-PS 000
- 6. アプリケーション仕様書 : 2166940000-AS 000  
APPLICATION SPECIFICATION : 2166940000-AS 000
- ⑦ 発注番号 : SHEET 5の製品一覧を参照ください  
ORDER NO. : REFER TO SHEET 5 FOR PRODUCT LIST

9.52	7.0	10.54	8
8.52	6.0	9.54	7
7.52	5.0	8.54	6
6.52	4.0	7.54	5
5.52	3.0	6.54	4
4.52	2.0	5.54	3
3.52	1.0	4.54	2
C	B	A	極数 CIRCUIT SIZE

① TABLE 1

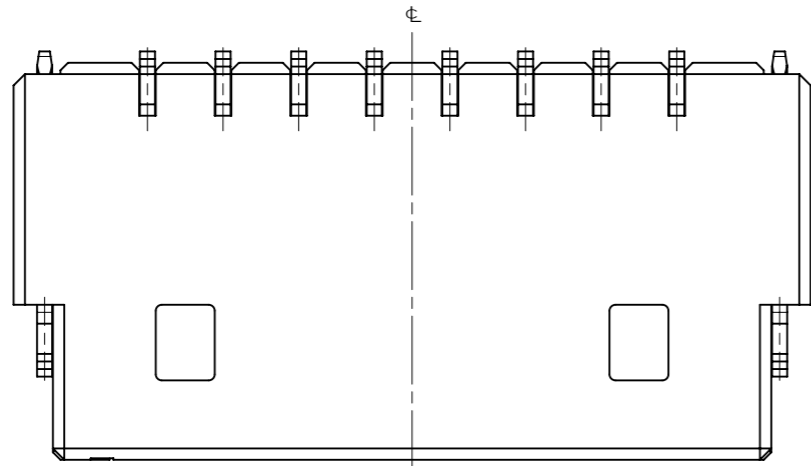
番号 NO.	部品 PART	材質 MATERIAL
①	ハウジング HOUSING	ポリアミド(PA),ガラス充填,UL94 V-0,色 : 黒 POLYAMIDE (PA),GLASS FILLED,UL94 V-0,COLOR:BLACK
②	ターミナル及びネイル TERMINAL AND NAIL	黄銅 BRASS
		錫めっき : 1.0 MICROMETER MINIMUM MATTE TIN PLATING ニッケルめっき(下地全面) : 1.0 MICROMETER MINIMUM NICKEL (UNDER-PLATING OVERALL)

DOCUMENT STATUS P1 RELEASE DATE 2021/12/13 10:05:07

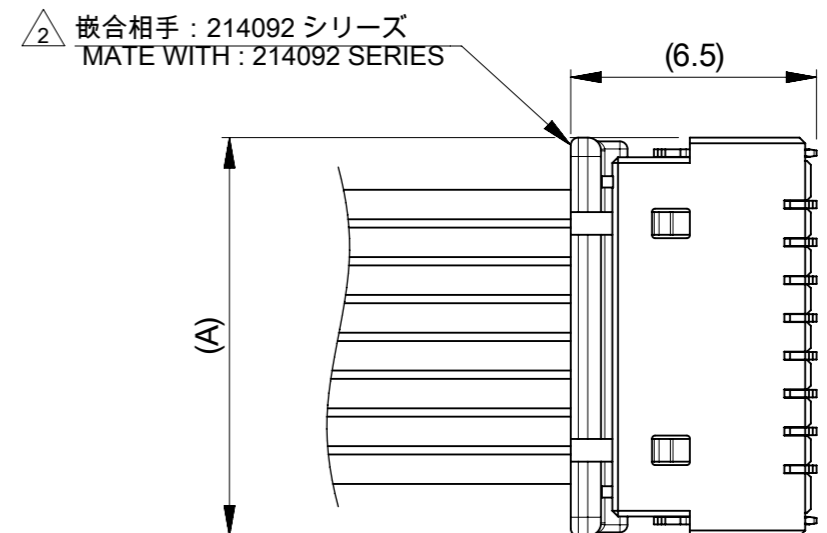
214097 0 0 \* 0

極数  
CIRCUIT SIZE

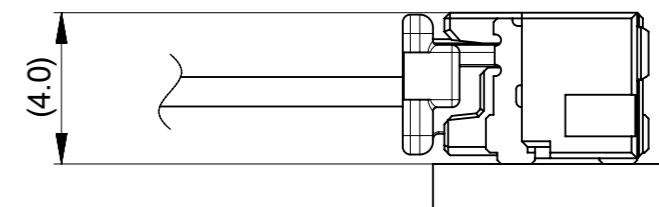
THIS DRAWING CONTAINS INFORMATION THAT IS PROPRIETARY TO MOLEX ELECTRONIC TECHNOLOGIES, LLC AND SHOULD NOT BE USED WITHOUT WRITTEN PERMISSION		CURRENT REV DESC:		<b>molex</b>	
DIMENSION UNITS	SCALE				
mm	NTS			ONEBLADE1.0 WTB SINGLE ROW RIGHT ANGLE SMT HEADER ASSEMBLY TIN PLATING	
GENERAL TOLERANCES (UNLESS SPECIFIED)				PRODUCT CUSTOMER DRAWING	
ANGULAR TOL	± 3.0 °			DOCUMENT NUMBER	
4 PLACES	± 0.2	EC NO: 688260		2140970000-SD	
3 PLACES	± 0.2	DRWN: AISHIKAWA 2021/07/19		DOC TYPE	
2 PLACES	± 0.2	CHK'D: AIDA 2021/12/13		PSD	
1 PLACE	± 0.2	APPR: SAKIYAMA 2021/12/13		DOC PART	
0 PLACES	± 0.2	INITIAL REVISION:		000	
DRAFT WHERE APPLICABLE MUST REMAIN WITHIN DIMENSIONS		DRWN: AISHIKAWA 2021/07/19		REVISION	
THIRD ANGLE PROJECTION		APPR: SAKIYAMA 2021/12/13		A	
DRAWING		SERIES		SHEET NUMBER	
A3-SIZE		214097		1 OF 5	
MATERIAL NUMBER		CUSTOMER			
SEE SHEET 5		GENERAL			



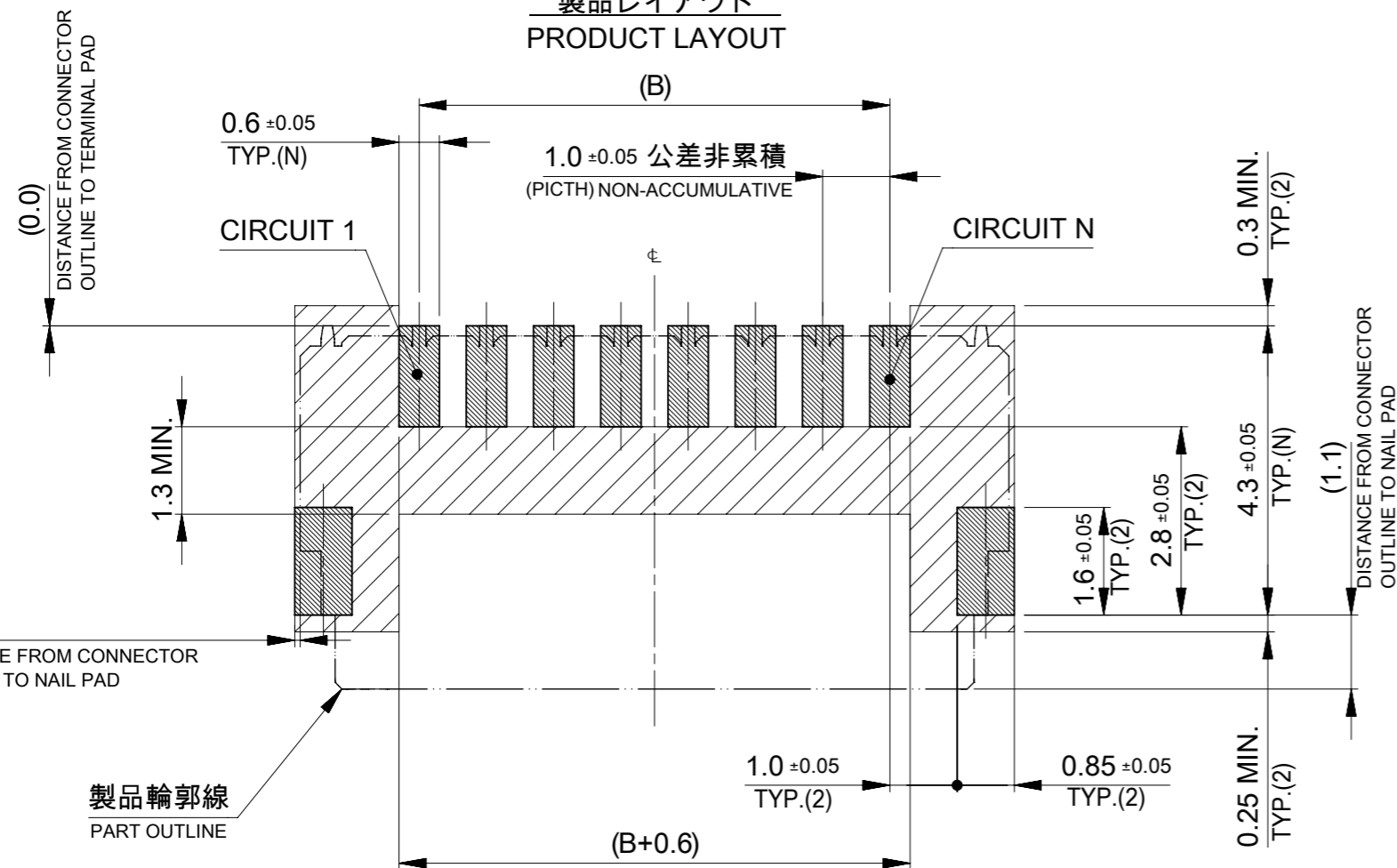
製品レイアウト  
PRODUCT LAYOUT



△ 2 嵌合相手 : 214092 シリーズ  
MATE WITH : 214092 SERIES



嵌合状態図  
MATED CONNECTORS



製品輪郭線  
PART OUTLINE



推奨基板レイアウト:実装面側

(参考: 基板厚1.2mm, メタルマスク厚0.1~0.12mm, マスク開口率100%)

SUGGESTED PCB LAYOUT : COMPONENT SIDE

(REFERENCE: PCB THICKNESS 1.2mm, STENCIL THICKNESS 0.1~0.12mm, APERTURE RATIO 100%)

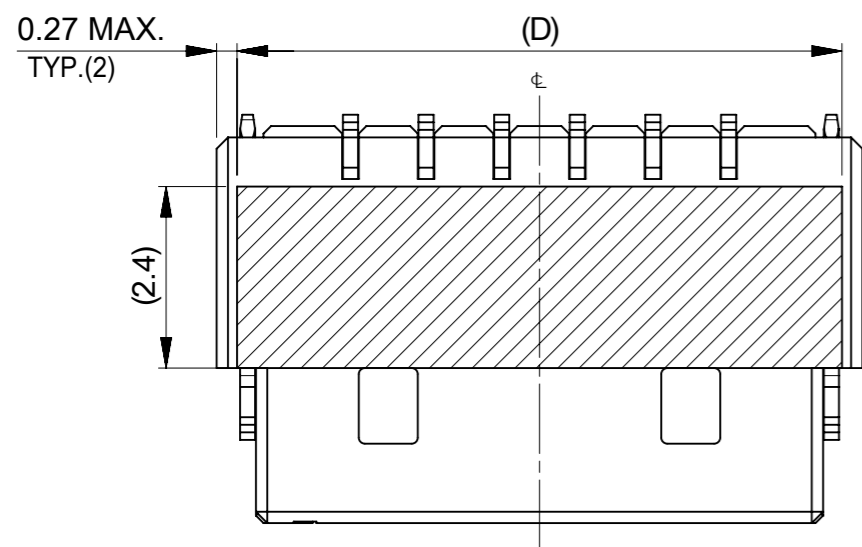


:パターン非推奨エリア

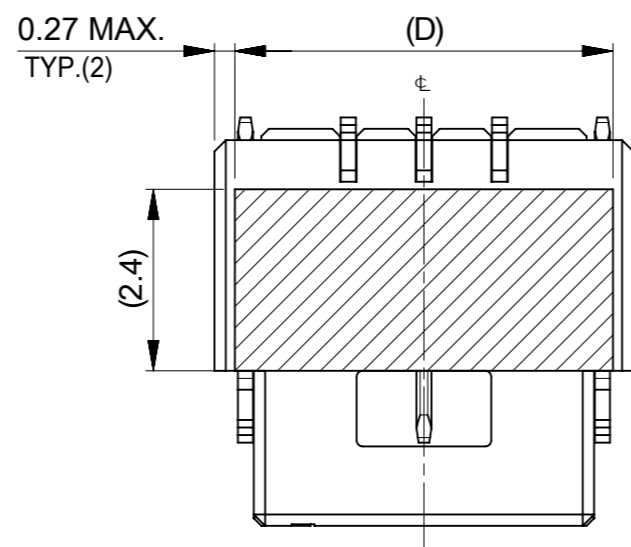
パターンを引き回す際は、製品機能に影響がないことをご確認ください。  
PATTERN IS NOT RECOMMENDED ON THE HATCHING AREA  
PLEASE CHECK NOT TO HAVE PROBLEM FOR PRODUCT FUNCTION  
WHEN SETTING PATTERN ON THE HATCHING AREA.

THIS DRAWING CONTAINS INFORMATION THAT IS PROPRIETARY TO MOLEX ELECTRONIC TECHNOLOGIES, LLC AND SHOULD NOT BE USED WITHOUT WRITTEN PERMISSION									
DIMENSION UNITS		SCALE		CURRENT REV DESC:					
mm		NTS		<p style="text-align: center;"><b>molex</b></p> <p style="text-align: center;">ONEBLADE1.0 WT SINGLE ROW RIGHT ANGLE SMT HEADER ASSEMBLY TIN PLATING</p> <p style="text-align: center;">PRODUCT CUSTOMER DRAWING</p>					
GENERAL TOLERANCES (UNLESS SPECIFIED)									
ANGULAR TOL ± 3.0°									
4 PLACES	± 0.2								
3 PLACES	± 0.2								
2 PLACES	± 0.2								
1 PLACE	± 0.2			EC NO: 688260		2021/07/19		DOCUMENT NUMBER	
0 PLACES	± 0.2			DRWN: AISHIKAWA		2021/12/13		2140970000-SD	
DRAFT WHERE APPLICABLE MUST REMAIN WITHIN DIMENSIONS				THIRD ANGLE PROJECTION		DRAWING		SERIES	
				A3-SIZE		214097		MATERIAL NUMBER	
				SEE SHEET 5		CUSTOMER		SHEET NUMBER	
				GENERAL		2 OF 5			

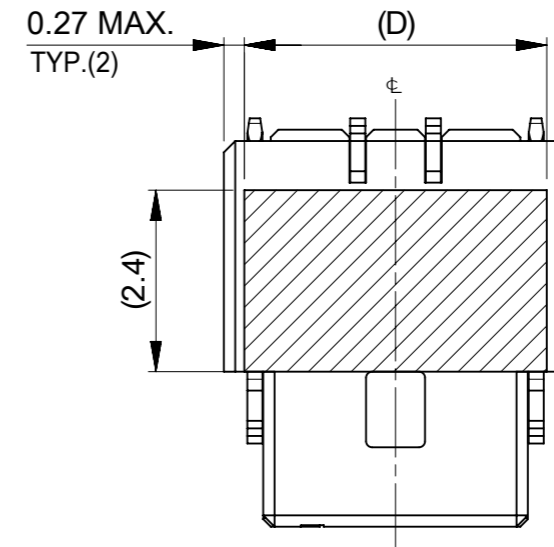
# 製品形状及び吸着エリア PRODUCT SHAPE AND SUCTION AREA



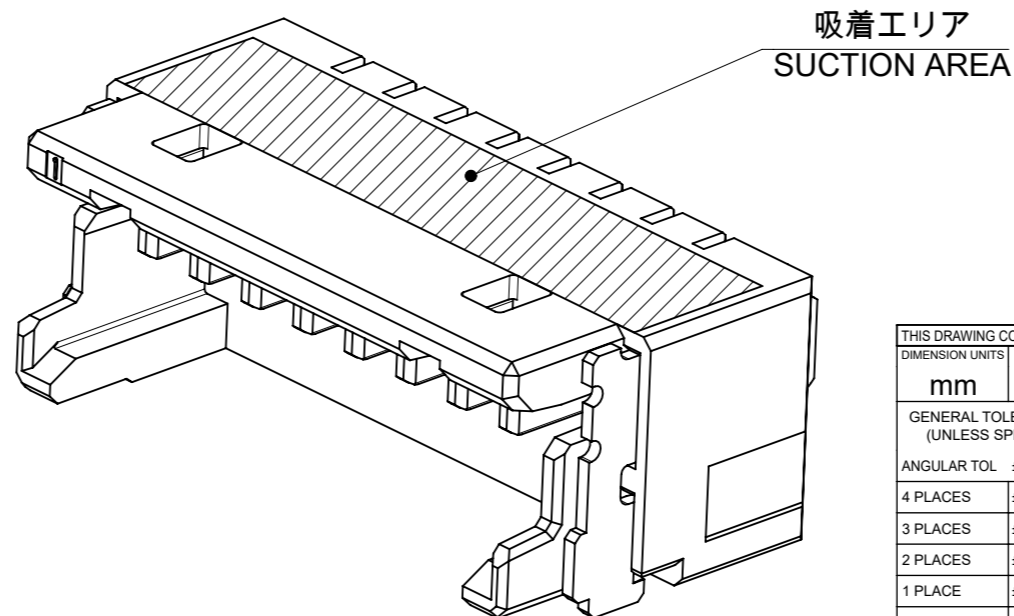
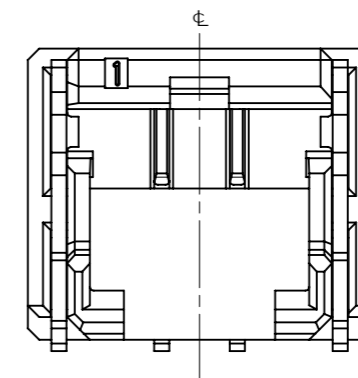
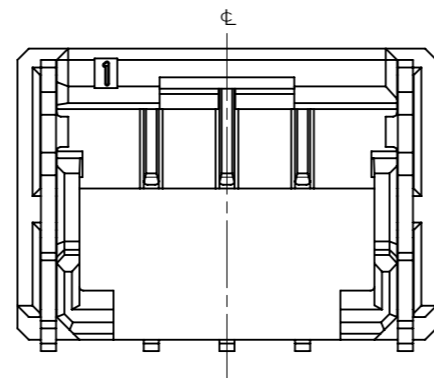
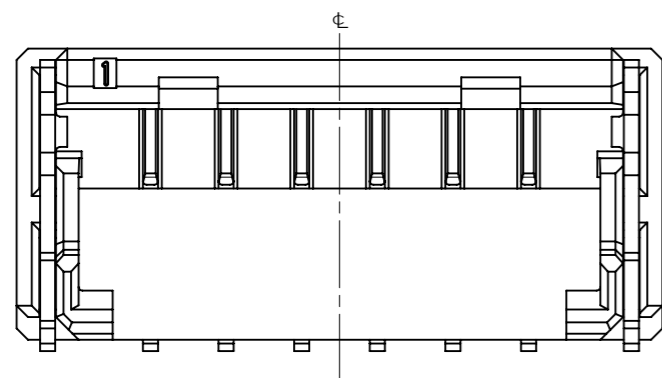
4~8極形状(2ロック)  
VIEW OF 4~8 CIRCUIT(2 LOCKS)



3極形状(1ロック)  
VIEW OF 3 CIRCUIT(1 LOCK)

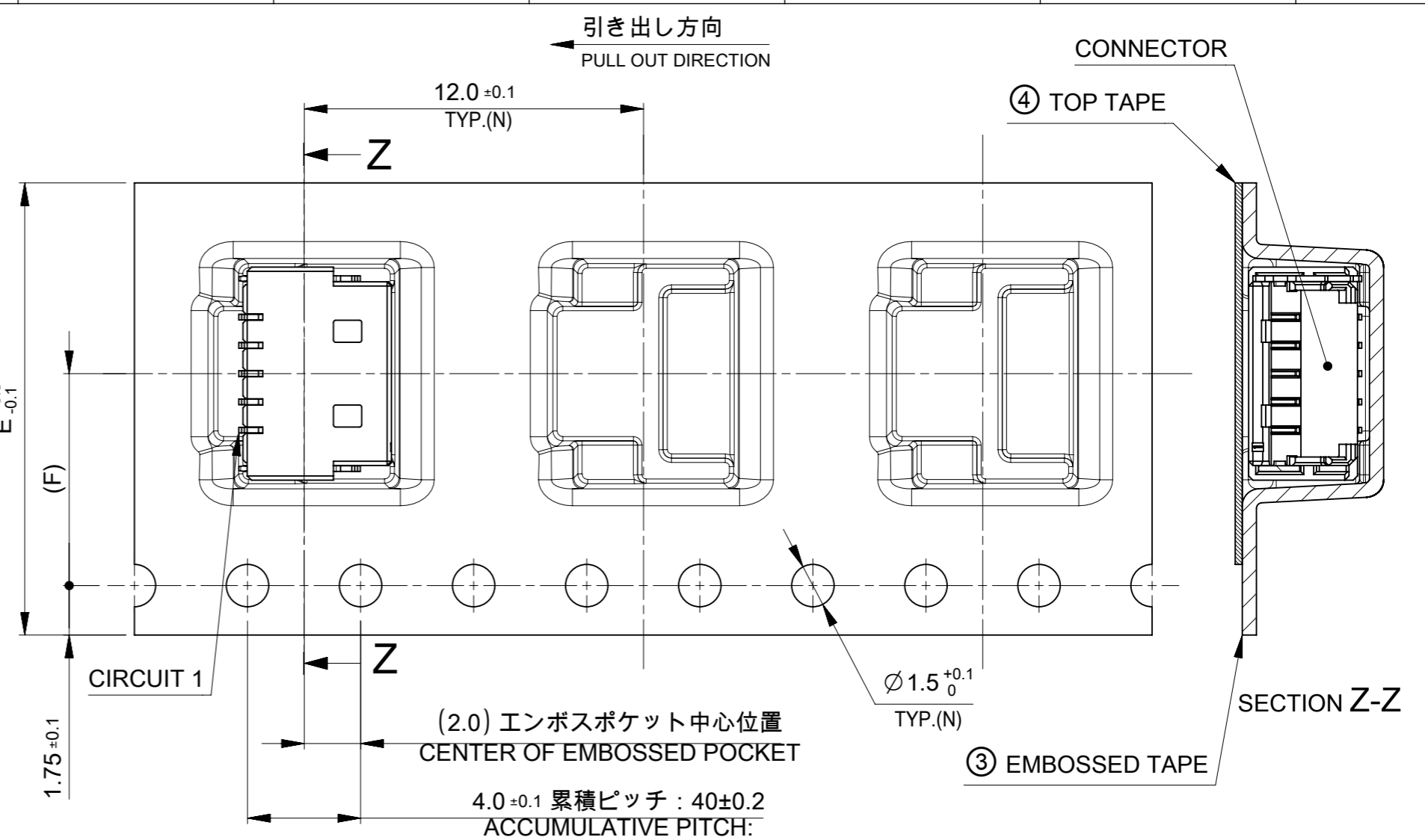
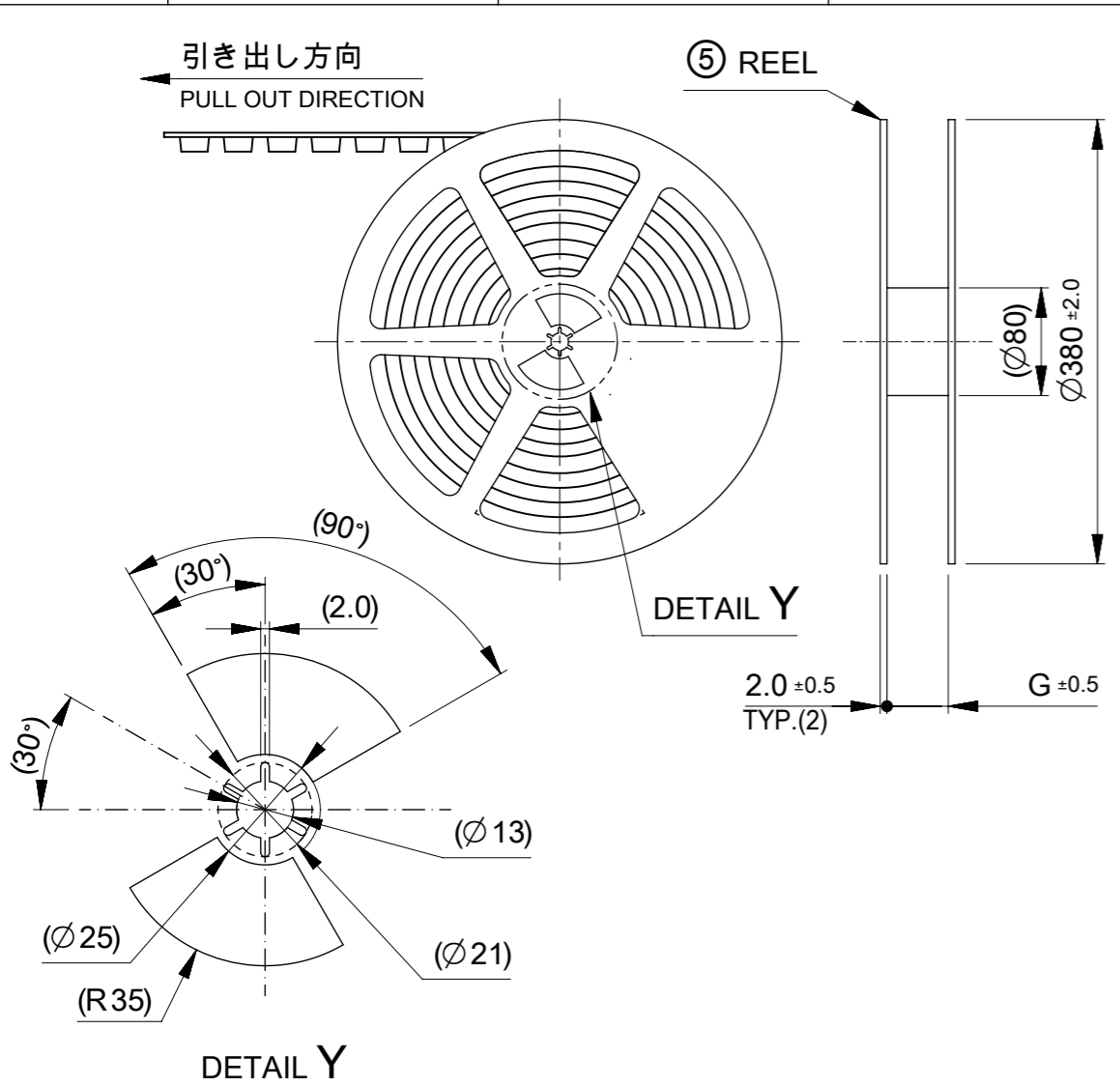


2極形状(1ロック)  
VIEW OF 2 CIRCUIT(1 LOCK)



10.0	8
9.0	7
8.0	6
7.0	5
6.0	4
5.0	3
4.0	2
D	極数 CIRCUIT SIZE

THIS DRAWING CONTAINS INFORMATION THAT IS PROPRIETARY TO MOLEX ELECTRONIC TECHNOLOGIES, LLC AND SHOULD NOT BE USED WITHOUT WRITTEN PERMISSION									
DIMENSION UNITS <b>mm</b>		SCALE <b>NTS</b>		CURRENT REV DESC:					
GENERAL TOLERANCES (UNLESS SPECIFIED)				<b>molex</b> ONEBLADE1.0 WTB SINGLE ROW RIGHT ANGLE SMT HEADER ASSEMBLY TIN PLATING PRODUCT CUSTOMER DRAWING					
ANGULAR TOL ± 3.0°									
4 PLACES ± 0.2		EC NO: 688260		DRWN: AISHIKAWA		2021/07/19		DOCUMENT NUMBER	
3 PLACES ± 0.2		CHK'D: AIDA		APPR: SAKIYAMA		2021/12/13		2140970000-SD	
2 PLACES ± 0.2		INITIAL REVISION:		DRWN: AISHIKAWA		2021/07/19		DOC TYPE	
1 PLACE ± 0.2		APPR: SAKIYAMA		APPR: SAKIYAMA		2021/12/13		DOC PART	
0 PLACES ± 0.2		DRAFT WHERE APPLICABLE MUST REMAIN WITHIN DIMENSIONS		THIRD ANGLE PROJECTION		DRAWING		REVISION	
				A3-SIZE		SERIES		A	
				214097		MATERIAL NUMBER		SHEET NUMBER	
				SEE SHEET 5		CUSTOMER		3 OF 5	
				GENERAL					



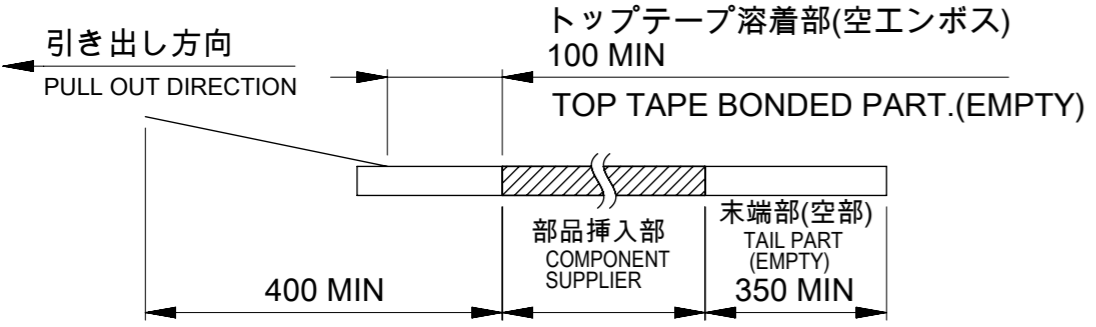
注記:  
NOTES:

8. 梱包数量: 1,600個/リール  
NUMBER OF CONNECTORS: 1,600 PIECES/REEL

9. リードテープ長さ  
LEAD TAPE LENGTH

10. トップテープの剥離強度はIEC60286-3に準拠。  
TOP TAPE PEELING FORCE IS DEFINED BY IEC60286-3.

11. 梱包仕様書: 2140979200-SPK 200  
PACKAGING SPECIFICATION: 2140979200-SPK 200



25.5	11.5	24	8
			7
17.5	7.5	16	6
			5
			4
			3
G	コネクタ中心位置 F CENTER OF CONNECTOR	エンボステープ幅 E WIDTH OF TAPE	2
			極数 CIRCUIT SIZE

番号 No.	部品 PART	材質 MATERIAL
③	エンボステープ EMBOSSSED TAPE	ポリスチレン(PS),その他 POLYSTYRENE(PS),etc
④	トップテープ TOP TAPE	ポリエチレン(PE),その他 POLYETHYLENE(PE),etc
⑤	リール REEL	ポリスチレン(PS) <リサイクル材を含む> POLYSTYRENE(PS) <RECYCLE MATERIAL CONTAINED >

THIS DRAWING CONTAINS INFORMATION THAT IS PROPRIETARY TO MOLEX ELECTRONIC TECHNOLOGIES, LLC AND SHOULD NOT BE USED WITHOUT WRITTEN PERMISSION

DIMENSION UNITS: mm SCALE: NTS

GENERAL TOLERANCES (UNLESS SPECIFIED): ANGULAR TOL ± 3.0°

4 PLACES ± 0.2  
3 PLACES ± 0.2  
2 PLACES ± 0.2  
1 PLACE ± 0.2  
0 PLACES ± 0.2

EC NO: 688260  
DRWN: AISHIKAWA 2021/07/19  
CHK'D: AIDA 2021/12/13  
APPR: SAKIYAMA 2021/12/13

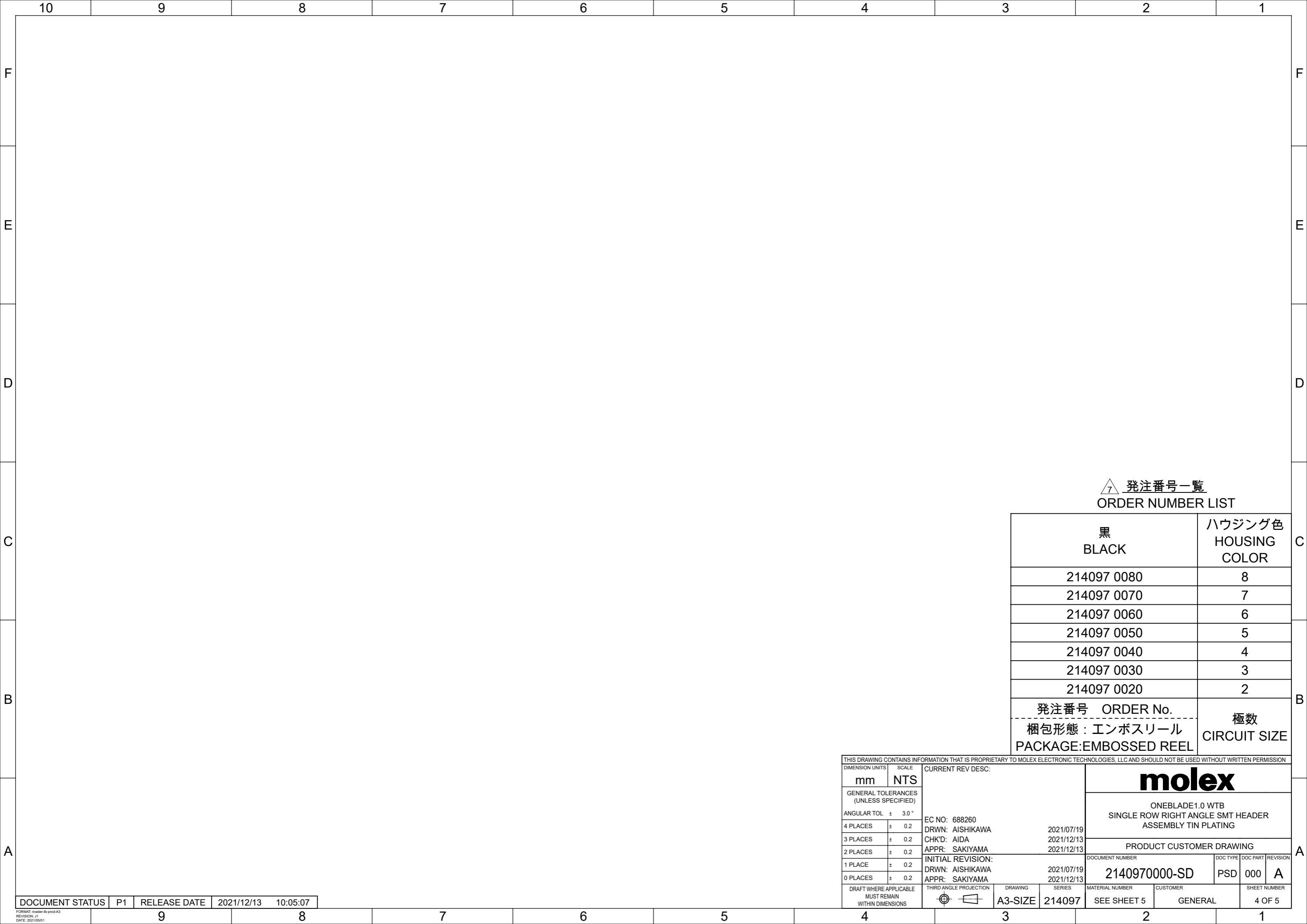
INITIAL REVISION:  
DRWN: AISHIKAWA 2021/07/19  
APPR: SAKIYAMA 2021/12/13

THIRD ANGLE PROJECTION

DRAFT WHERE APPLICABLE MUST REMAIN WITHIN DIMENSIONS

DOCUMENT NUMBER: 2140970000-SD  
DOC TYPE: PSD  
DOC PART: 000  
REVISION: A

SHEET NUMBER: 5 OF 5



△ 7 発注番号一覧  
ORDER NUMBER LIST

黒 BLACK	ハウジング色 HOUSING COLOR
214097 0080	8
214097 0070	7
214097 0060	6
214097 0050	5
214097 0040	4
214097 0030	3
214097 0020	2
発注番号 ORDER No. ----- 梱包形態：エンボスリール PACKAGE:EMBOSSED REEL	極数 CIRCUIT SIZE

THIS DRAWING CONTAINS INFORMATION THAT IS PROPRIETARY TO MOLEX ELECTRONIC TECHNOLOGIES, LLC AND SHOULD NOT BE USED WITHOUT WRITTEN PERMISSION														
DIMENSION UNITS		SCALE		CURRENT REV DESC:				<b>molex</b>		ONEBLADE1.0 WTB SINGLE ROW RIGHT ANGLE SMT HEADER ASSEMBLY TIN PLATING				
mm		NTS												
GENERAL TOLERANCES (UNLESS SPECIFIED)				EC NO: 688260 DRWN: AISHIKAWA 2021/07/19 CHK'D: AIDA 2021/12/13 APPR: SAKIYAMA 2021/12/13 INITIAL REVISION: DRWN: AISHIKAWA 2021/07/19 APPR: SAKIYAMA 2021/12/13				DOCUMENT NUMBER		DOC TYPE	DOC PART	REVISION		
ANGULAR TOL ± 3.0 °								2140970000-SD		PSD	000	A		
4 PLACES ± 0.2								DRAWING		SERIES		MATERIAL NUMBER		CUSTOMER
3 PLACES ± 0.2								A3-SIZE		214097		SEE SHEET 5		GENERAL
2 PLACES ± 0.2								SHEET NUMBER		CUSTOMER		SHEET NUMBER		
1 PLACE ± 0.2								4 OF 5						
0 PLACES ± 0.2				DRAFT WHERE APPLICABLE MUST REMAIN WITHIN DIMENSIONS		THIRD ANGLE PROJECTION								

DOCUMENT STATUS	P1	RELEASE DATE	2021/12/13	10:05:07
-----------------	----	--------------	------------	----------