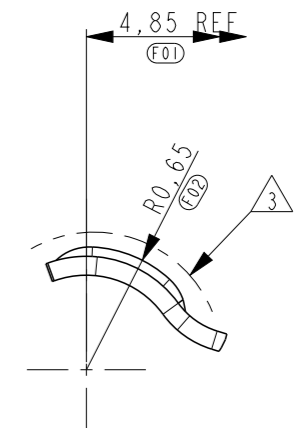
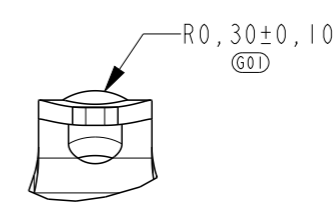
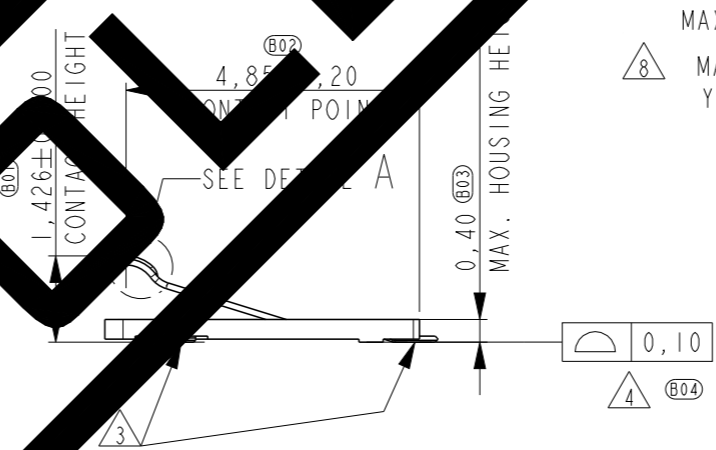
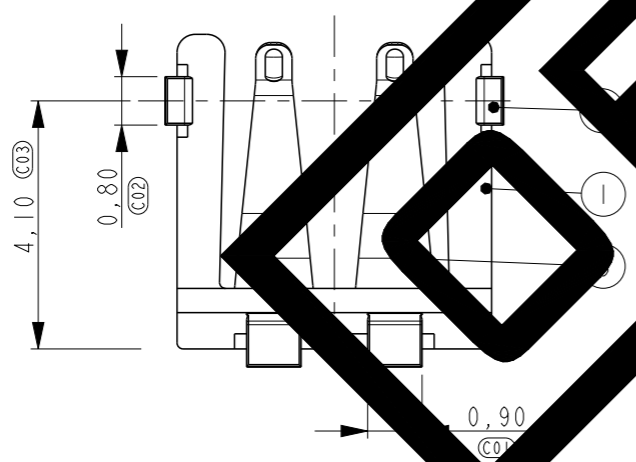
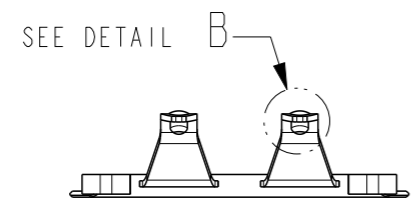
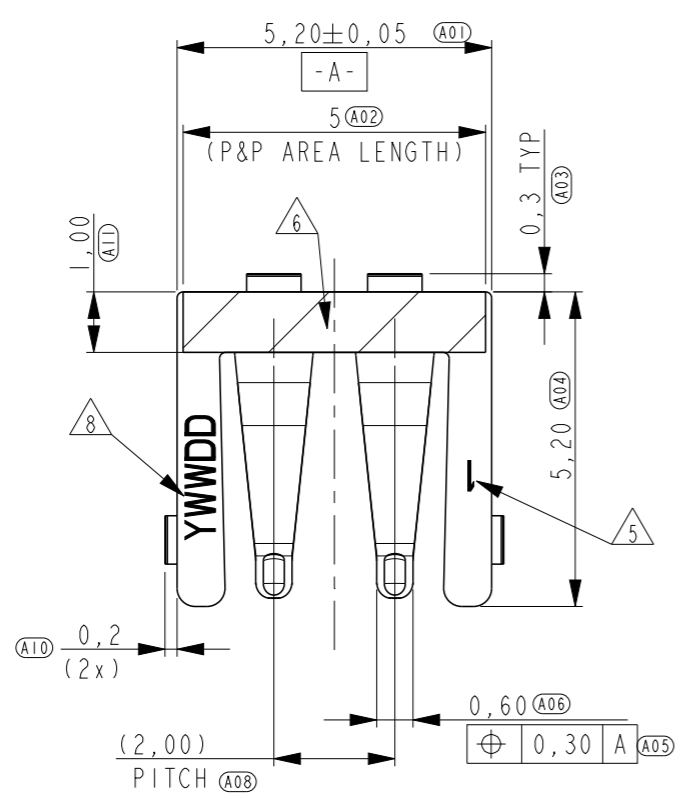


THIS DRAWING IS UNPUBLISHED. RELEASED FOR PUBLICATION  
 © COPYRIGHT - BY - ALL RIGHTS RESERVED.

LOC	DIST	REVISIONS			
P	LTR	DESCRIPTION	DATE	DWN	APVD
ES	-	A	INITIAL RELEASE	05SEP2013	RW SY
		AI	ECR-21-124751	28JUL2022	SSM SY



- 1 P.M.N.S SHOWN 2246092-2.
- 2 DRAWING REPRESENTS PART VERSION VI.
- 3 PLATING: 27µm MIN. NICKEL ALL OVER, 0,3µm MIN GOLD ON CONTACT POINTS (INDICATED BY DASHED LINE), - GOLD FLASH ON SOLDER TAILS
- 4 CLEANABILITY OF SOLDER SURFACES 0,10 MAX.
- 5 MARKING: CAVITY ID, RECESSED.
- 6 PICK & PLACE SURFACE DEFINED BY HATCHED AREA.
- 7 CONTACT WORKING HEIGHT 0,70mm±0,30mm, MIN FORCE 0,20N AT 1,00mm, MAX FORCE 0,80N AT 0,40mm MEASURED FROM SOLDER SURFACE UP.
- 8 MARKING: DATE CODE Y=YEAR, WW=WEEK, DD=DAY&SHIFT

OBESOLETTE

ITEM NO.	DESCRIPTION	MATERIAL	FINISH
3	CONTACT	STAINLESS STEEL	GOLD PLATED
2	SOLDER TAB	STAINLESS STEEL	GOLD PLATED
1	HOUSING	PLASTIC, GF	-

THIS DRAWING IS A CONTROLLED DOCUMENT.

DWN	RAY WANG	05SEP2013	<b>STE</b> TE Connectivity	NAME Board to Board Connector		
CHK	WENKE HE	05SEP2013				
APVD	STEVEN YAO	05SEP2013				
PRODUCT SPEC	108-19386					
APPLICATION SPEC	-		SIZE	CAGE CODE	DRAWING NO	RESTRICTED TO
WEIGHT	-		A3	00779	C-2246092	-
Customer Drawing			SCALE	SHEET	OF	REV
			4:1	1	3	AI

DIMENSIONS:	TOLERANCES UNLESS OTHERWISE SPECIFIED:
mm	
	0 PLC ±0,20
	1 PLC ±0,10
	2 PLC ±0,05
	3 PLC ±-
	4 PLC ±-
	ANGLES ±-
MATERIAL	FINISH
-	-

THIS DRAWING IS UNPUBLISHED.

RELEASED FOR PUBLICATION

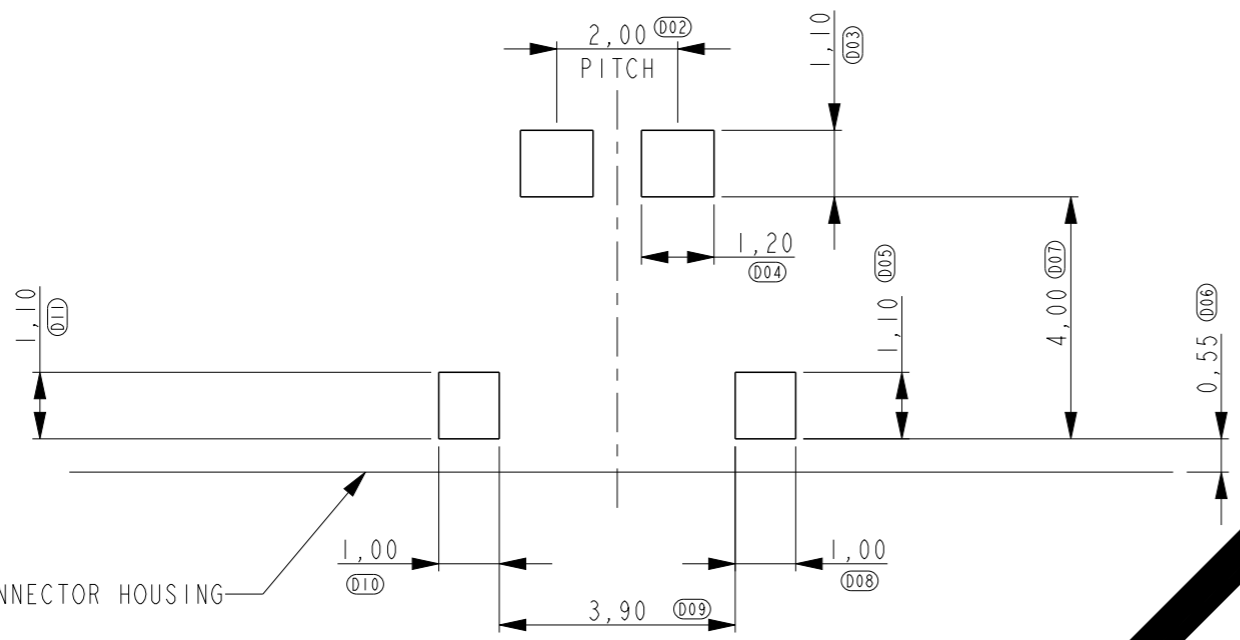
© COPYRIGHT - BY -

ALL RIGHTS RESERVED.

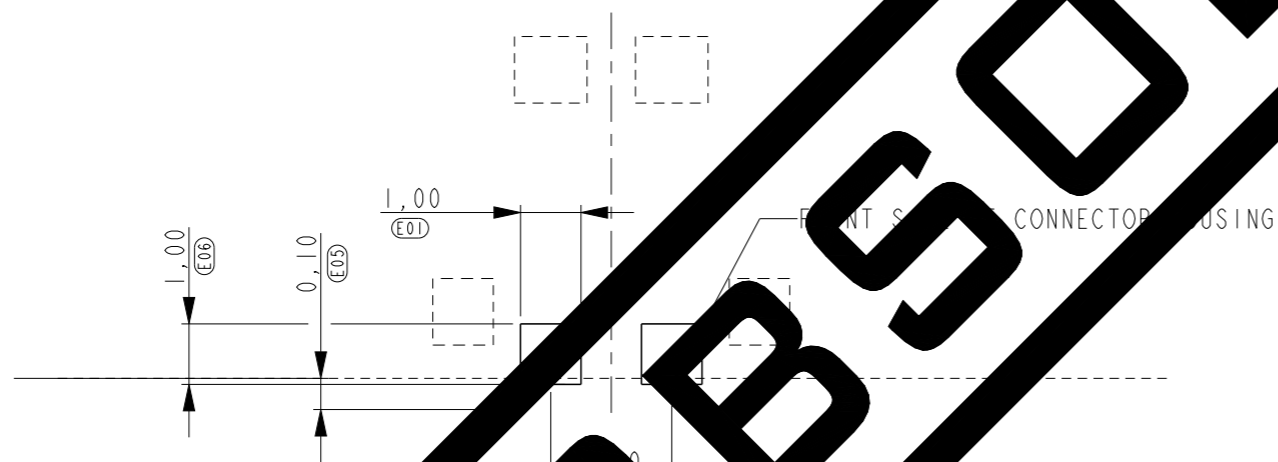
LOC ES DIST -

REVISIONS

P	LTR	DESCRIPTION	DATE	DWN	APVD
-	-	SEE SHEET 1	-	-	-



RECOMMENDED PWB LAY-OUT  
PWB SOLDER SIDE



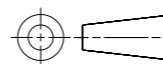
RECOMMENDED PWB LAY-OUT  
PWB CONTACT SIDE

**OBESOLETTE**

THIS DRAWING IS A CONTROLLED DOCUMENT.

DIMENSIONS:

mm



TOLERANCES UNLESS OTHERWISE SPECIFIED:

- 0 PLC ±0,20
- 1 PLC ±0,10
- 2 PLC ±0,05
- 3 PLC ±-
- 4 PLC ±-
- ANGLES ±-

MATERIAL

FINISH

DWN RAY WANG 05SEP2013

CHK WENKE HE 05SEP2013

APVD STEVEN YAO 05SEP2013

PRODUCT SPEC

APPLICATION SPEC

WEIGHT

NAME

Board to Board Connector

SIZE

CAGE CODE

DRAWING NO

RESTRICTED TO

A3

00779

C-2246092

Customer Drawing

SCALE 8:1

SHEET 2 OF 3

REV A1



THIS DRAWING IS UNPUBLISHED.

RELEASED FOR PUBLICATION

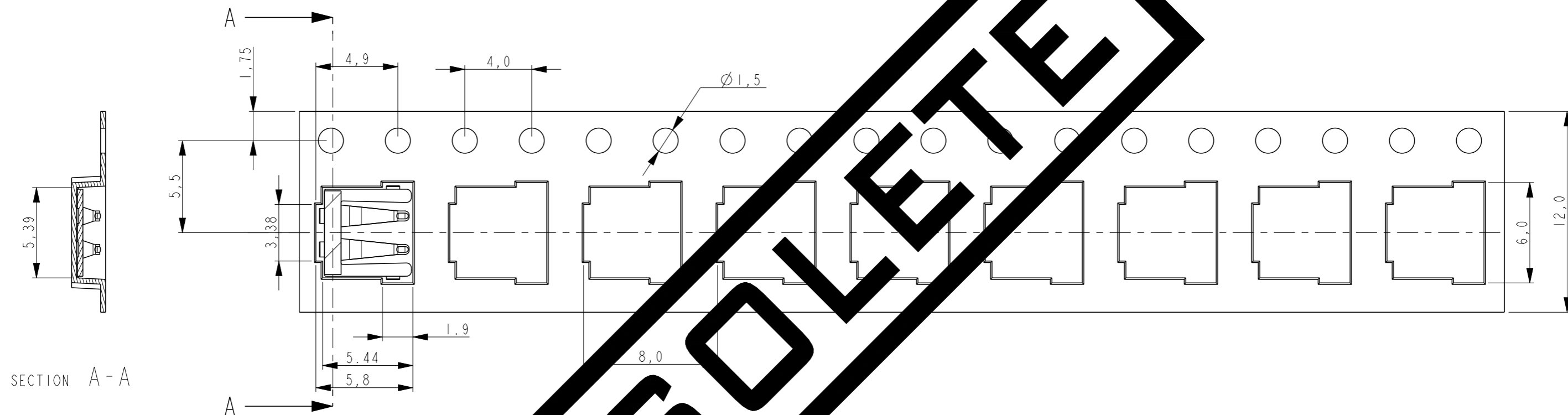
© COPYRIGHT - BY -

ALL RIGHTS RESERVED.

LOC ES DIST -

REVISIONS

P	LTR	DESCRIPTION	DATE	DWN	APVD
-	-	SEE SHEET 1	-	-	-



SECTION A - A

USER DIRECTION OF UNREELING

NOTES:

- REEL DIMENSIONS: 330x100x12,4
- QTY PER REEL: 4000PCS.

**OBSCOLETTE**

THIS DRAWING IS A CONTROLLED DOCUMENT.

DIMENSIONS: mm	TOLERANCES UNLESS OTHERWISE SPECIFIED:
	0 PLC ±-
	1 PLC ±0.10
	2 PLC ±0.10
	3 PLC ±-
	4 PLC ±-
	ANGLES ±-
MATERIAL -	FINISH -

DWN	RAY WANG	05SEP2013
CHK	WENKE HE	05SEP2013
APVD	STEVEN YAO	05SEP2013
PRODUCT SPEC	-	
APPLICATION SPEC	-	
WEIGHT	-	
Customer Drawing		

		TE Connectivity	
		NAME Board to Board Connector	
SIZE	CAGE CODE	DRAWING NO	RESTRICTED TO
A3	00779	C-2246092	-
SCALE 8:1		SHEET 3 OF 3	REV A1