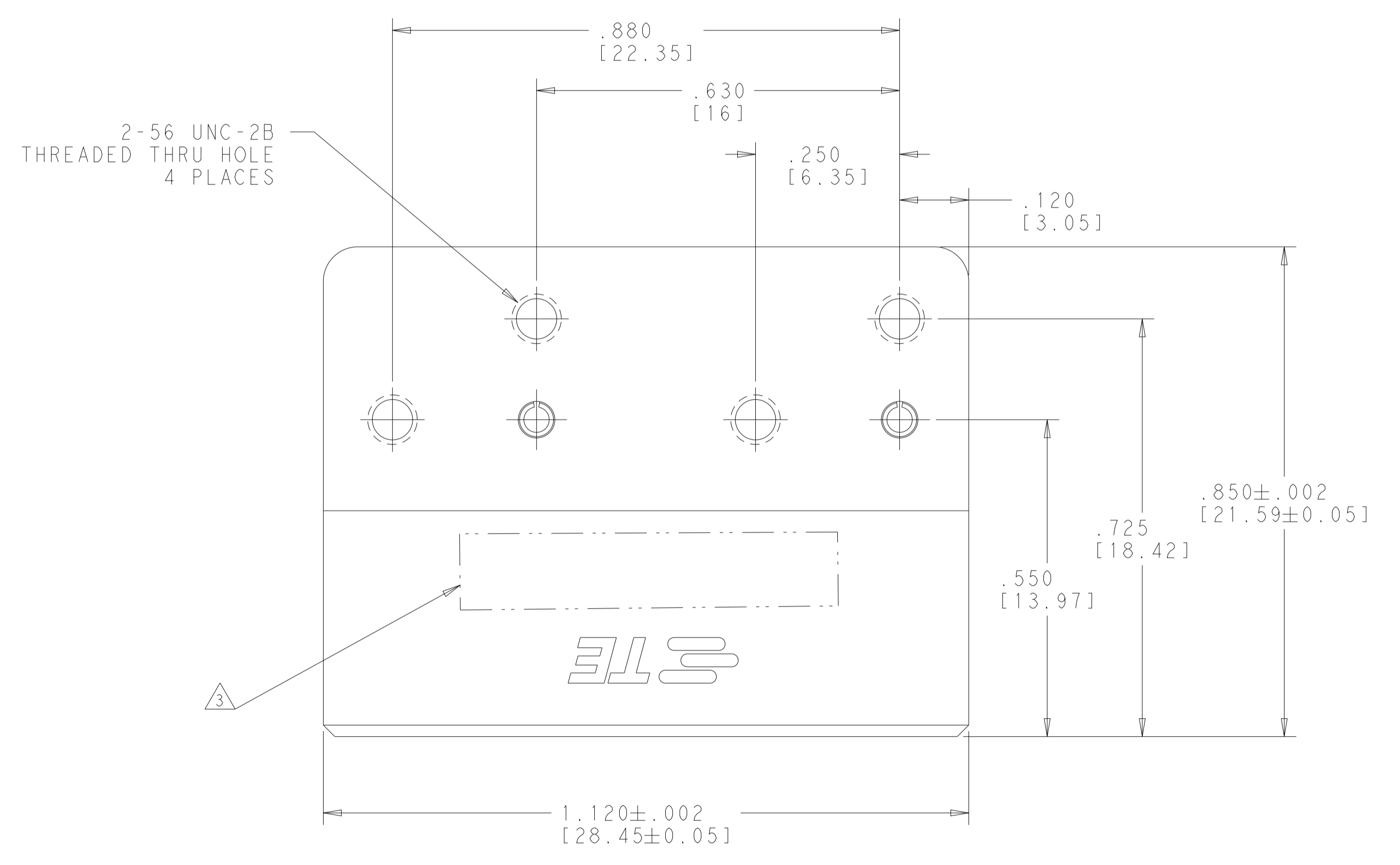
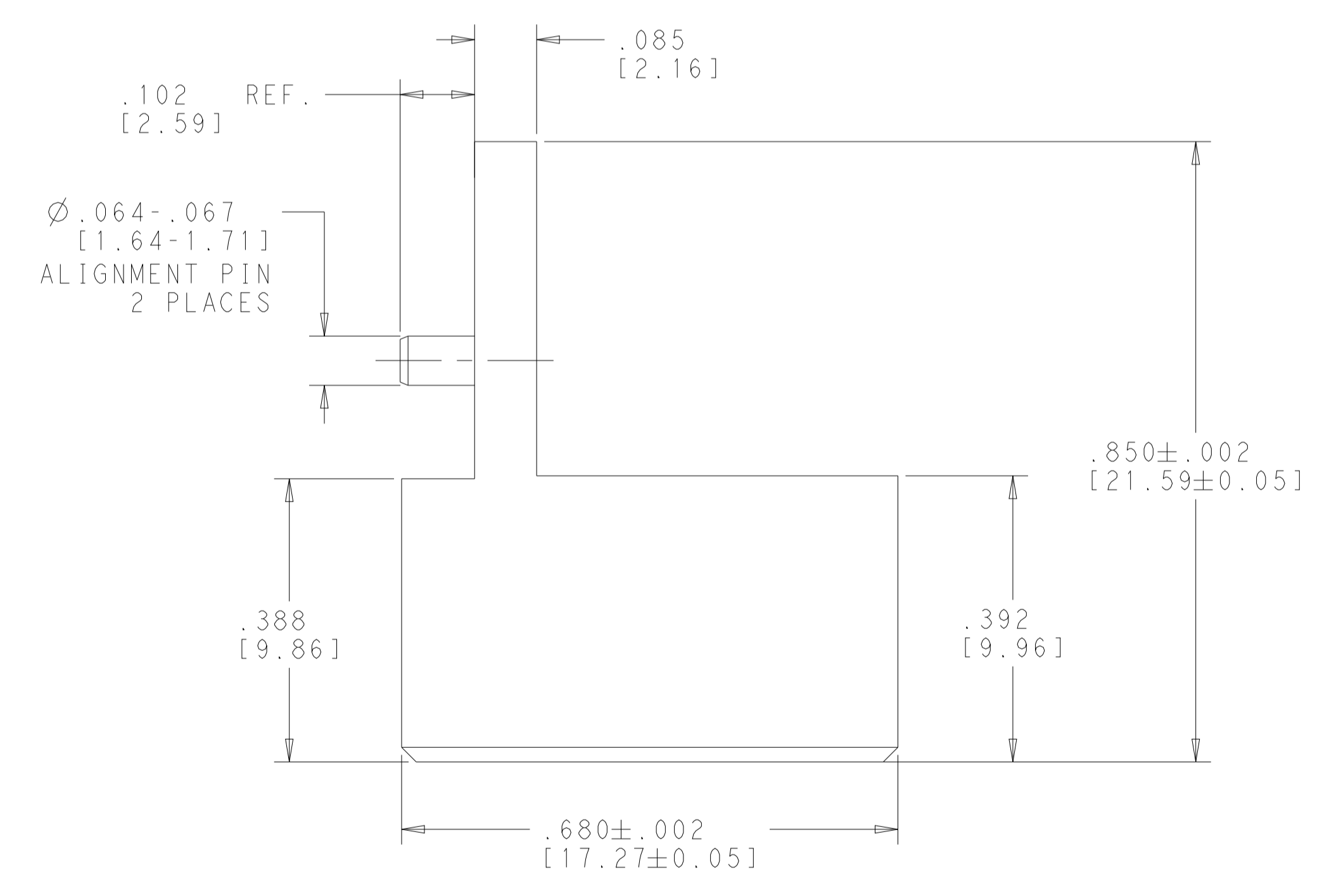
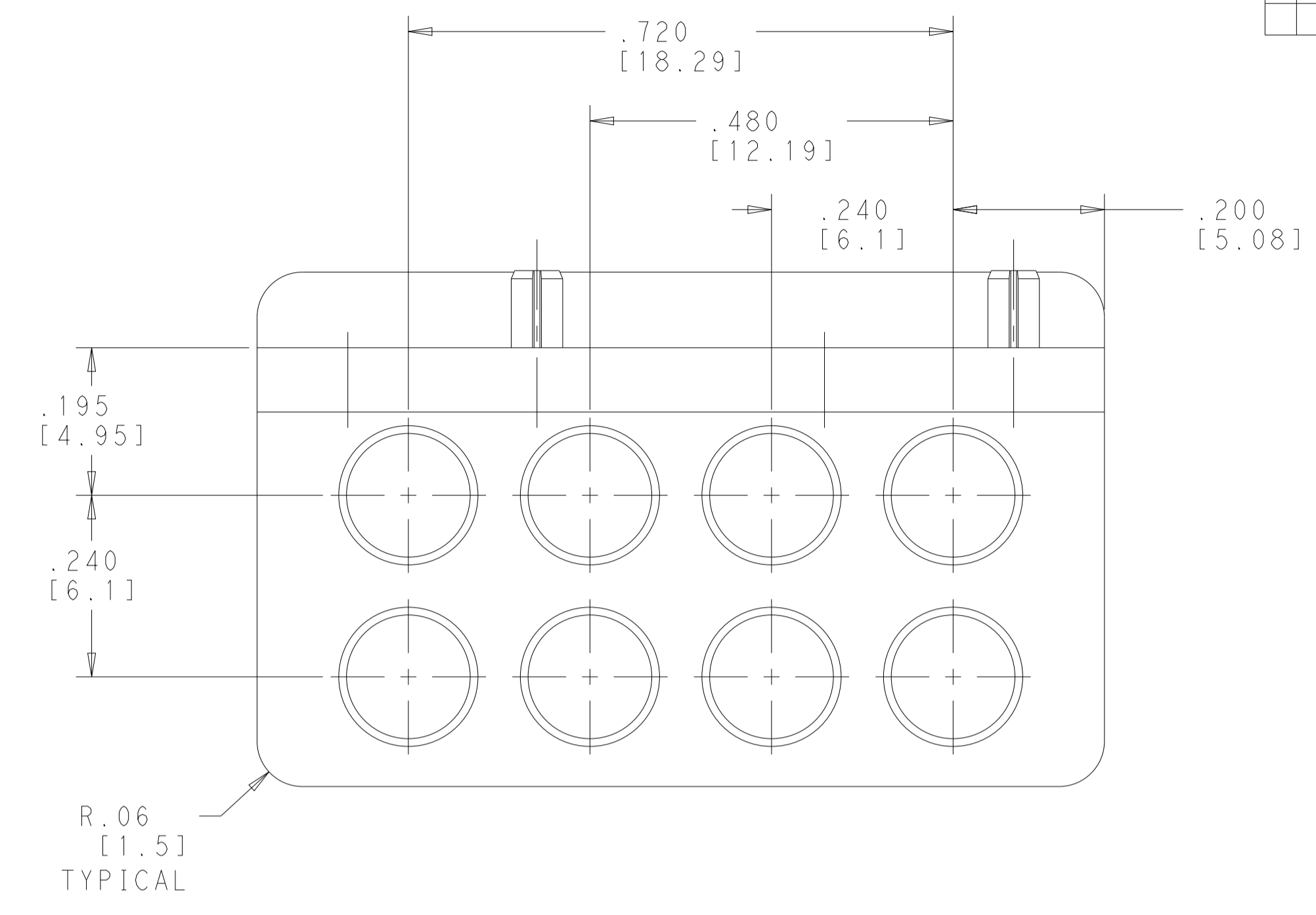
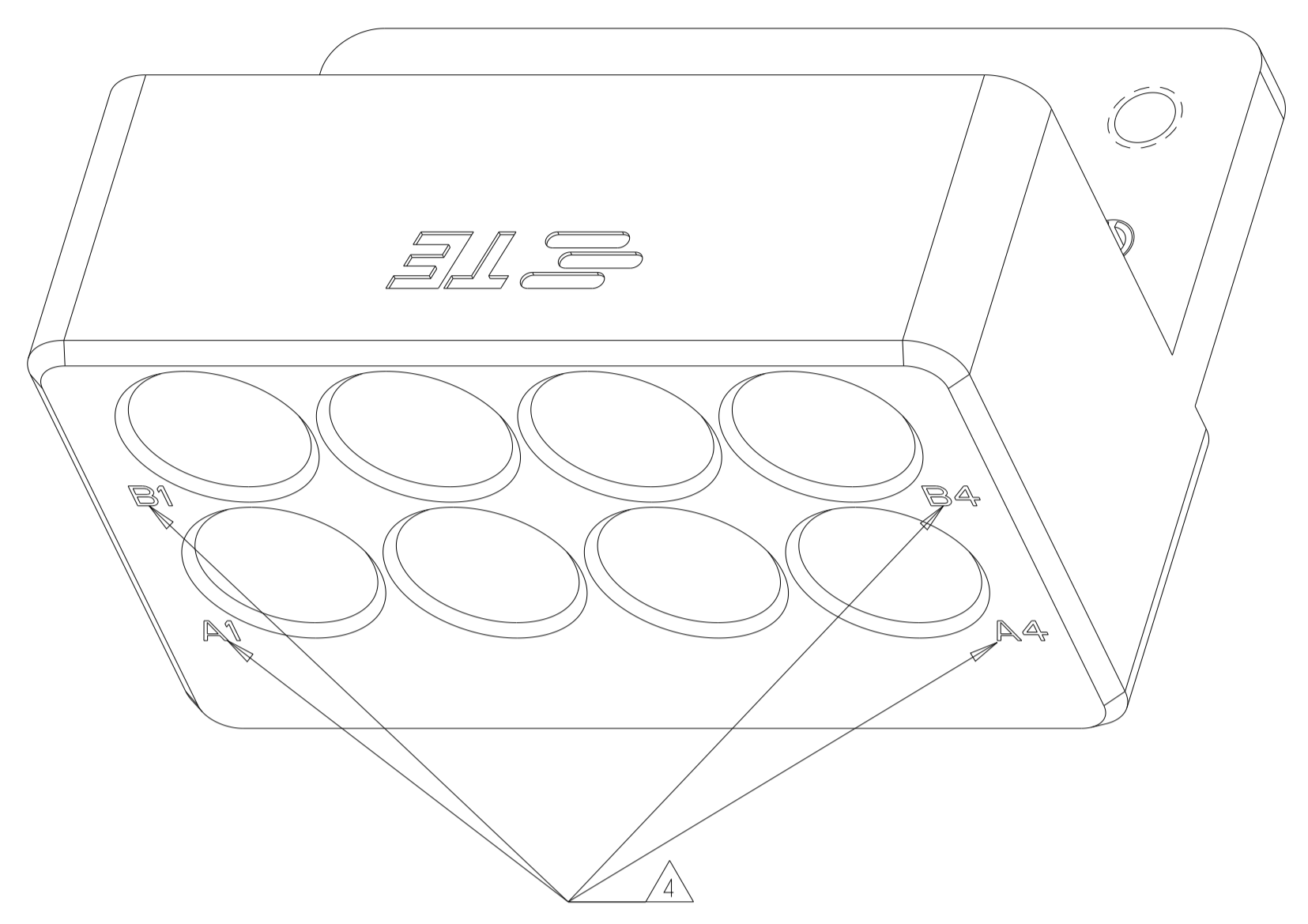


REVISIONS				
P	LTN	DESCRIPTION	DATE	APVD
A		RELEASED	15NOV2021	KM CG



- 1 MATERIAL:  
MODULE BODY - TYPE 303 STAINLESS STEEL.  
SPRING PINS - WORK HARDENED NICKEL STAINLESS STEEL
- 2 FINISH:  
MODULE BODY - PASSIVATED  
SPRING PINS - PASSIVATED
- 3 PART MARKING:  
TE CONNECTIVITY PART NUMBER, CAGE CODE AND DATE CODE
- 4 CAVITY IDENTIFICATION MARKING

2332708-1  
PART NO.

THIS DRAWING IS A CONTROLLED DOCUMENT.		OWN K. MILLER CHK C. GINGRICH	13JUN2018 22JAN2019	TE Connectivity NAME MODULE, 8 POSITION, SMPM, SNAP-IN, DAUGHTERCARD	
DIMENSIONS: [INCHES/mm]	TOLERANCES UNLESS OTHERWISE SPECIFIED:	APVD	PRODUCT SPEC		
0 PLC ±. 1 PLC ±.1 2 PLC ±.01 3 PLC ±.001 4 PLC ±.0005 ANGLES ±1.0° FINISH	±. ±.1 ±.01 ±.001 ±.0005	WEIGHT 1.045 oz	SIZE A1	CAGE CODE 00779	DRAWING NO. 2332708
MATERIAL	1	2	CUSTOMER DRAWING	SCALE 6:1	SHEET 1 OF 1