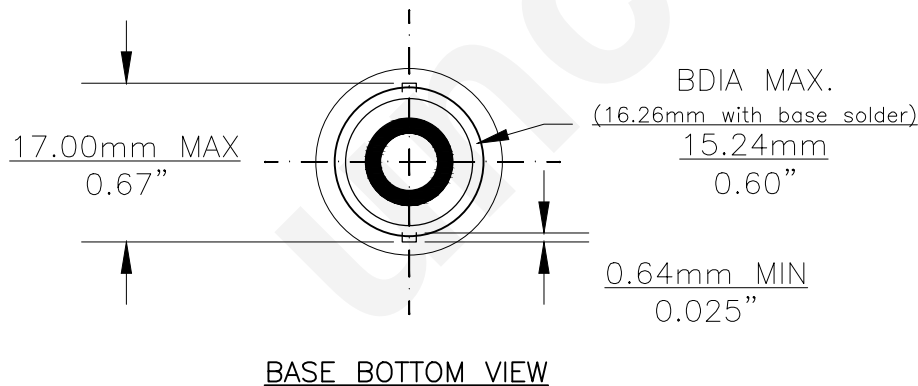
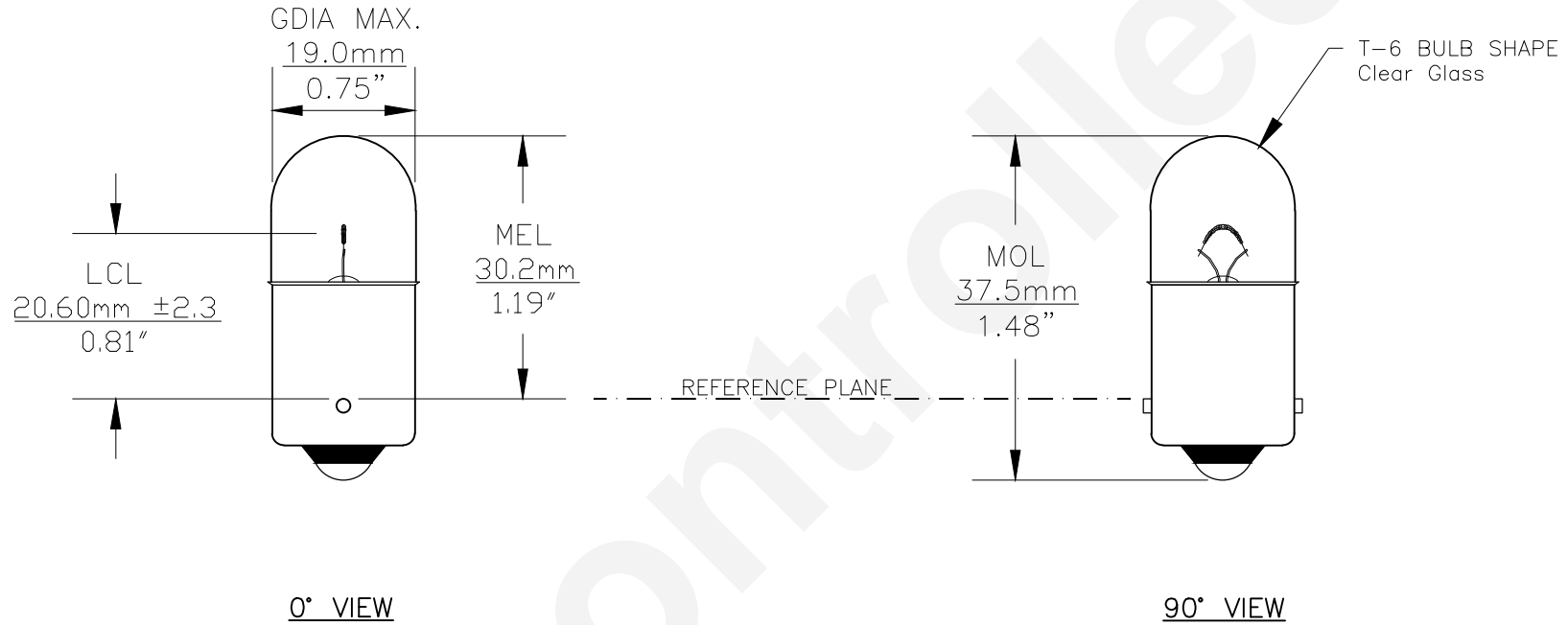




PART NO.	BASE TYPE	DESIGN VOLTS	DESIGN AMPS	MSCD	FILAMENT TYPE	AVERAGE LIFE HOURS
5007	S.C. BAYONET (BA15s)	12.0V	0.41±10%	4.0±20%	C-2R	200

REVISIONS			
REV #	DESCRIPTION	DATE	APPROVED
1	REDRAWN	04/25/2005	D.C.
2	ADDITION OF TEST VOLTAGE	11/14/2005	D.C.
3	CORRECT THE LCL MEASUREMENT	12/23/2005	S.L.
4	CORRECT THE GDIA MEASUREMENT	03/23/2009	S.L.



Note: Made according to ECE/R37 specifications

UNLESS OTHERWISE SPECIFIED: DIMENSIONS ARE IN INCHES TOLERANCES		CEC INDUSTRIES LTD	
DECIMALS .XX ± .05	ANGULAR .XXX ± .010	599 BOND STREET	LINCOLNSHIRE, IL 60069
FRACTIONAL ±1/64		TITLE LIGHT BULB NO. 5007 (R5W)	
DRAWN ANNA SOLOVEYCHIK	DATE 03/07/2002	SIZE A	FSCM NO. 5007
CHECKED		DWG NO. 5007	REV 4
DESIGN	SCALE	PLOT SCALE	SHEET 1 OF 1
MATERIAL	FILE 5007.pdf	DRAWING NOT TO SCALE	