

THIS IS A C.A.D. GENERATED DRAWING  
DO NOT MAKE MANUAL REVISIONS TO MASTER.



ISSUE NUMBER

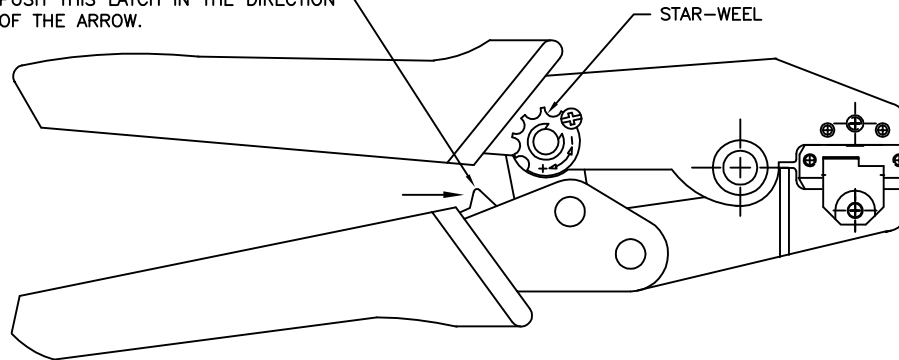
ORIGINAL ①

ADD CC0-293-428

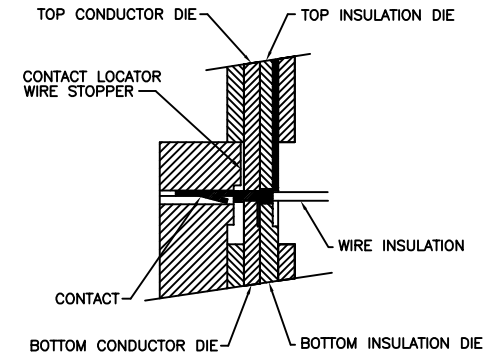
UPDATE PN TABLE

J.L. NOV.21/2022 ②

TO OPEN PARTIALLY CLOSED TOOL  
PUSH THIS LATCH IN THE DIRECTION  
OF THE ARROW.



STAR-WHEEL



TOP CONDUCTOR DIE TOP INSULATION DIE

CONTACT LOCATOR  
WIRE STOPPER

WIRE INSULATION

CONTACT

BOTTOM CONDUCTOR DIE

BOTTOM INSULATION DIE

SECTION THROUGH DIE NEST  
WITH CONTACT IN POSITION

CRIMP STRENGTH

WIRE AWG	SINGLE WIRE	DOUBLE WIRE
22 AWG	8.0 LBS	16.0 LBS

1- THIS HAND TOOL IS DESIGNED FOR CRIMPING 22 AWG WIRES TO EDAC CONTACT P/N  
CC0-290-028 / CC0-293-428.

2- RISK OF ELECTRIC SHOCK- DO NOT USE THIS ON LIVE WIRE.

3- CRIMPING INSTRUCTIONS:

- OPEN THE TOOL, PLACE THE CONTACT INTO THE CORRECT DIE NEST.
- PARTIALLY CLOSE THE TOOL UNTIL THE CONTACT IS HELD IN PLACE. INSERT THE WIRE INTO THE CONTACT.
- CLOSE THE TOOL UNTIL THE RATCHET RELEASES. REMOVE THE CRIMPED CONTACT.

4- ADJUSTMENT OF CRIMP FORCE (WHEN NECESSARY):

- LOOSEN THE SCREW
- ADJUST THE STAR-WHEEL BY TURNING FROM (-) TO(+).
- CHECK THE PRELOAD AND THE CRIMP FORCE.

TOOL PART NUMBER: CC0-280-201

CC0 SERIES HAND CRIMP TOOL INSTRUCTIONS



YOUR CONNECTION TO QUALITY & SERVICE

EDAC INC  
TORONTO, ONTARIO  
CANADA

THESE DRAWINGS AND SPECIFICATIONS  
ARE THE PROPERTY OF EDAC INC.,AND  
SHALL NOT BE REPRODUCED,OR COPIED  
OR USED AS THE BASIS FOR THE  
MANUFACTURE OR SALE OF APPARATUS  
WITHOUT WRITTEN PERMISSION.

ACAD REFERENCE NO. CC0-280-201

DRAWN: K.L.

DATE:AUG.17/2020

CHECKED: R.S.M.

DATE:NOV.21/2022

SCALE: N.T.S.

SHEET 1 OF 2

DRAWING NUMBER

CC0-280-201

ISSUE

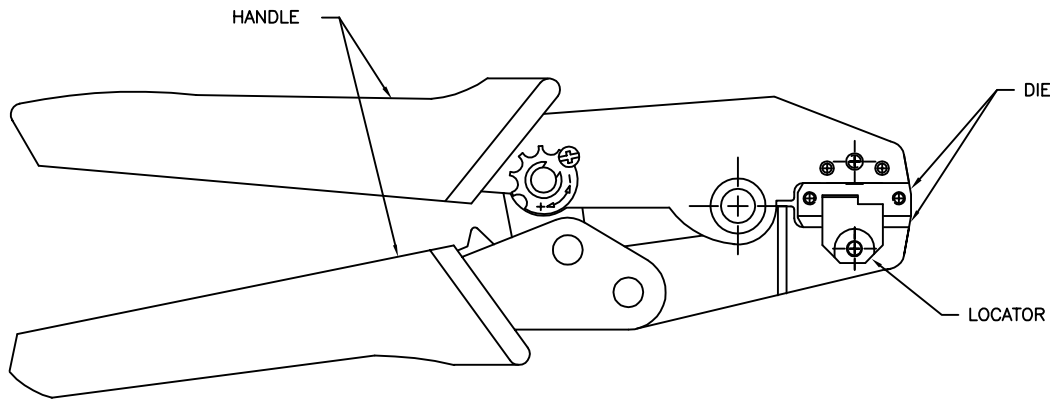
2

THIS IS A C.A.D. GENERATED DRAWING  
DO NOT MAKE MANUAL REVISIONS TO MASTER.

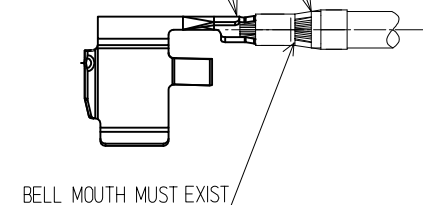


ISSUE NUMBER

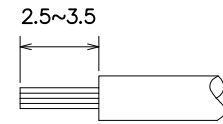
SEE PAGE 1



KEEP THE WIRE TO APPEAR  
KEEP THE INSULATION TO APPEAR  
BE SURE NOT TO ENCROACH ON THE WIRE BARREL



SEAM MUST BE CLOSED  
WIRE MUST NOT BE EXPOSED




WIRE STRIP LENGTH



CRIMP ASM*	HANDLE	LOCATOR
CC0-280-201	CC0-281-001	CC0-282-001

\* Assembly includes: Handle and Locator. Parts are available for purchase separately.

CC0 SERIES HAND CRIMP TOOL INSTRUCTIONS		ACAD REFERENCE NO. CC0-280-201	
		DRAWN: K.L.	DATE: AUG.17/2020
 EDAC INC TORONTO, ONTARIO CANADA YOUR CONNECTION TO QUALITY & SERVICE		CHECKED: R.S.M.	
		DATE: NOV.21/2022	
THESE DRAWINGS AND SPECIFICATIONS ARE THE PROPERTY OF EDAC INC., AND SHALL NOT BE REPRODUCED, OR COPIED OR USED AS THE BASIS FOR THE MANUFACTURE OR SALE OF APPARATUS WITHOUT WRITTEN PERMISSION.		SCALE: N.T.S.	SHEET 2 OF 2
		DRAWING NUMBER CC0-280-201	